

SMOKE BAFFLE

Our Smoke Baffle System comes in various design options, each of them designed to give a inconspicuous smoke barrier between slab openings, level changes or divisions of areas. Today's fire codes require smoke curtains to building areas within manageable levels, in the event of a fire. This in turn allows optimum design of smoke alarm systems and fire sprinkler systems.

VIVA SBS design options provide you a seamless transition of the aesthetics of VIVA Railings that you have come love. In each of these options glass is secured with through bolts providing you a very secure installation.

Available Finishes: Stainless Steel, Powder Coat Standard or Custom Colors, Anodized Aluminum OR ECM Coating.

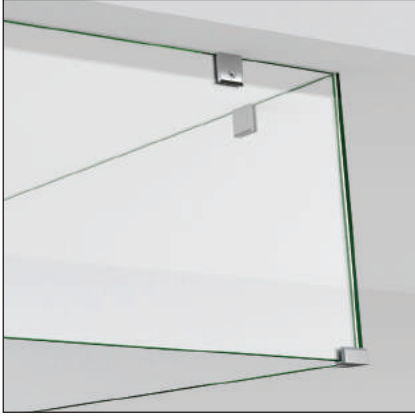
PRODUCT: SMOKE BAFFLE | INFILL: TEMPERED GLASS

TOYOTA U.S. HEADQUARTERS
PLANO, TX

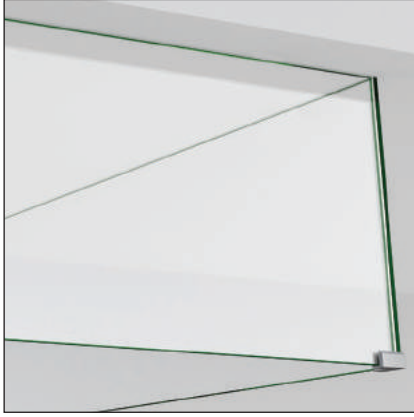


SMOKE BAFFLE SPECIFICATIONS	
HEIGHT	18" Standard or Custom
GLASS PANELS	3/8" or 1/2" Tempered Glass
MOUNT TYPE	SBS-1 - Surface mount via clamp
	SBS-2 - Inset mount via concealed clamp
FINISH	Stainless Steel, Powder Coating Standard or Custom Colors, Anodized Aluminium

MOUNT TYPE



Surface Mount - SBS-1



Inset Mount - SBS-2

