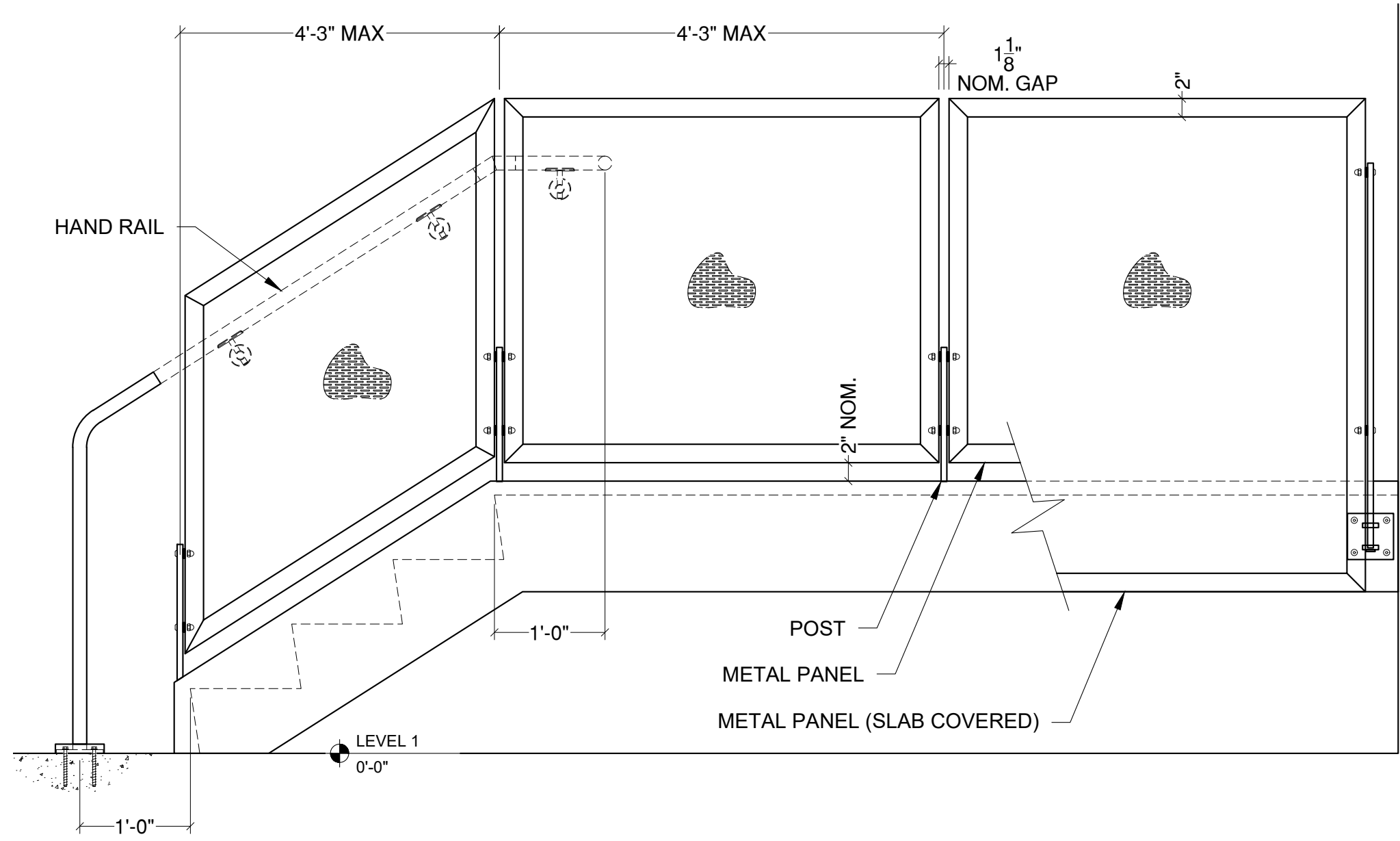


METAL PANEL RAILING SYSTEMS

ENCLOSE is a structural metal panel system that is picture framed with your favorite perforated metal or wire mesh. Wide edges of ENCLOSE frame creates a bold statement with a Deco Art look. Supporting base is minimalistic, almost out of sight, giving you a floating metal panel. Wide frame also creates an integral top guard edge, eliminating the need for added top cap.



PRODUCT: ENCLOSE PANEL RAILING SYSTEM



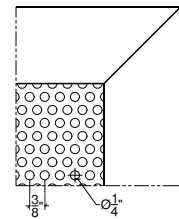
TECHNICAL DATA

ENCLOSE™ RAILING SYSTEM - SPECIFICATIONS

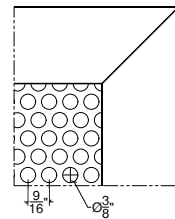
| | MATERIAL | FINISH | SIZE / SPACING |
|---|--|-----------------------|--|
| POST | Powder Coated Post | | Solid bar post @ 4'-3" max. O.C. Fascia, Top or Core mount. |
| INFILL | Perforated Metal | Powder Coated | 2" wide with aluminum angle framed panel |
| | Wire Mesh | | |
| HAND RAIL | Stainless Steel Tube | #6 Satin, Powder Coat | Ø1-1/2" or Ø2" tube |
| | Stainless Steel Tube with LED ¹ | #6 Satin | Ø1-1/2" with LED LINEAR, Ø1-1/2" or Ø2" with LED POD |
| | Wood (Red Oak, Cherry or Maple) ² | Unstained | Ø2" |
| | Wood (Red Oak, Cherry or Maple) with LED | | Ø2" with LED LINEAR |
| (1) All LED LINEAR products are ETL certified; ETL mark is proof of product compliance to North American safety standard. | | | (2) Other species available upon request. |



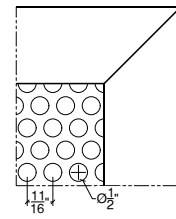
AVAILABLE
PERFORATED TYPES:



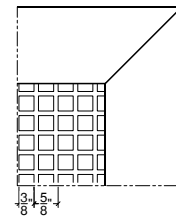
PMRO-0610



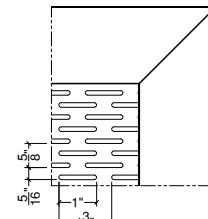
PMRO-1014



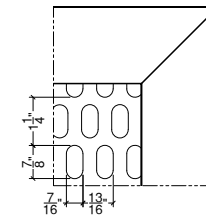
PMRO-1217



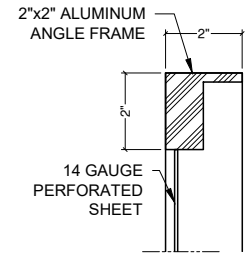
PMSQ-1013



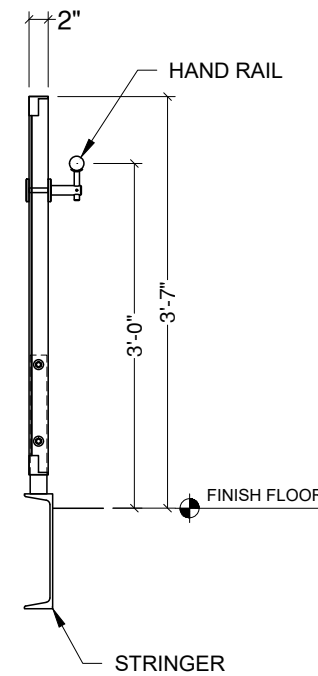
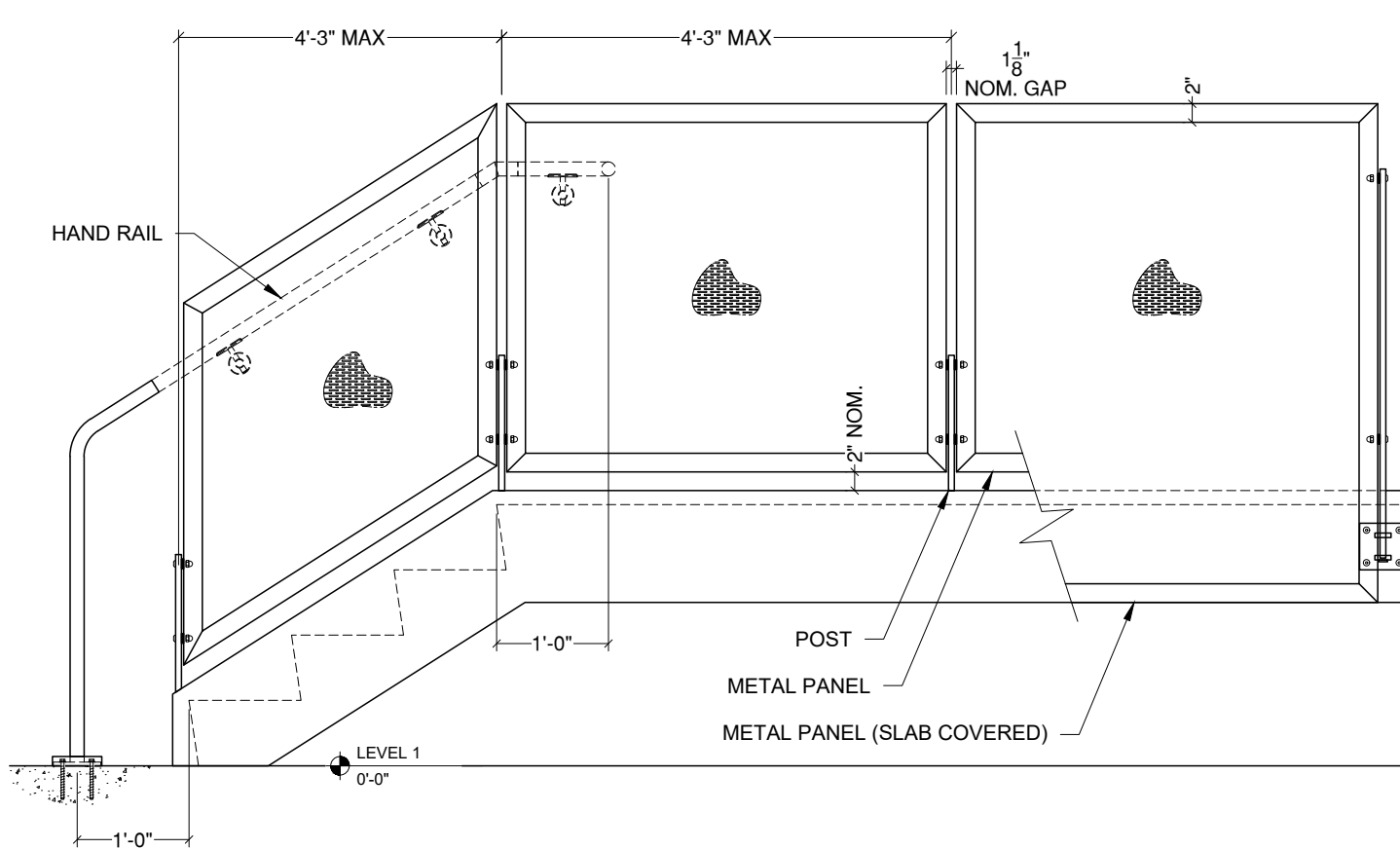
PMSL-0325



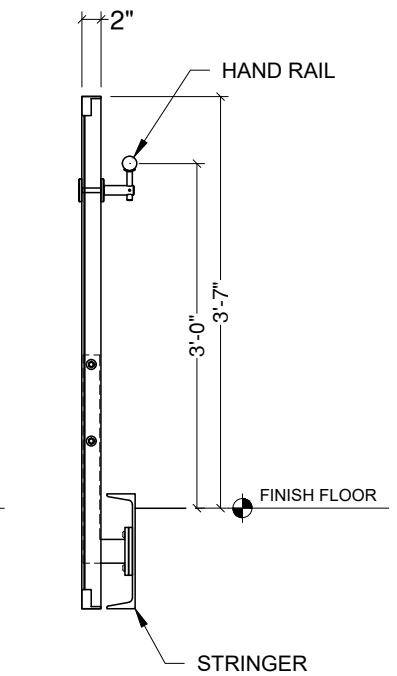
PMSL-1122



SECTION VIEW

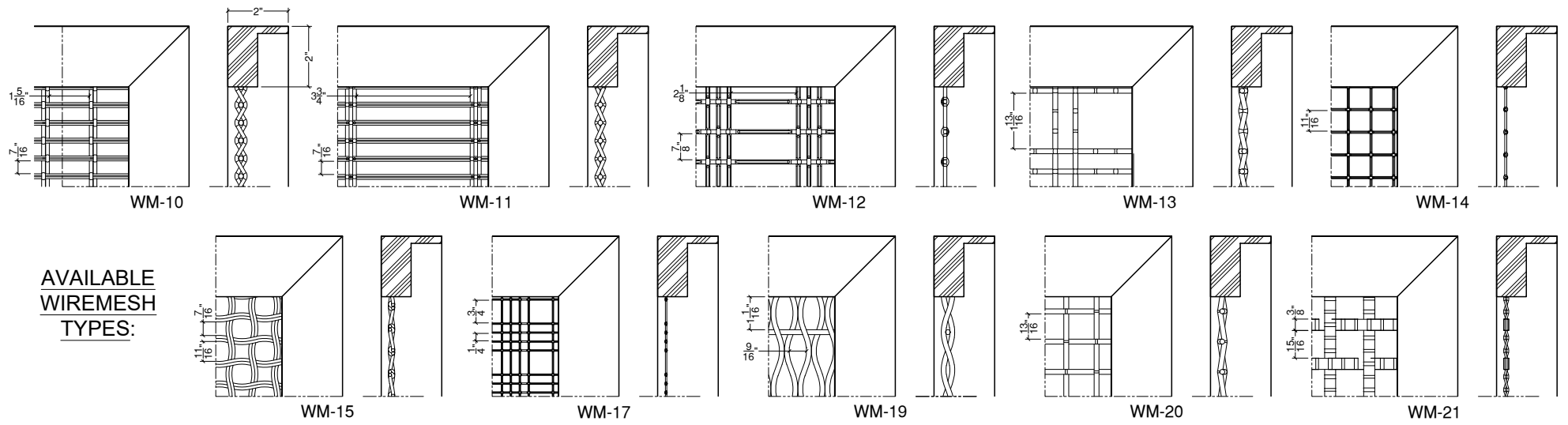


SECTION

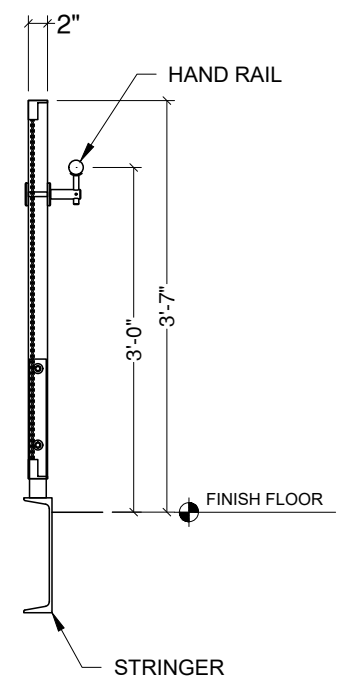
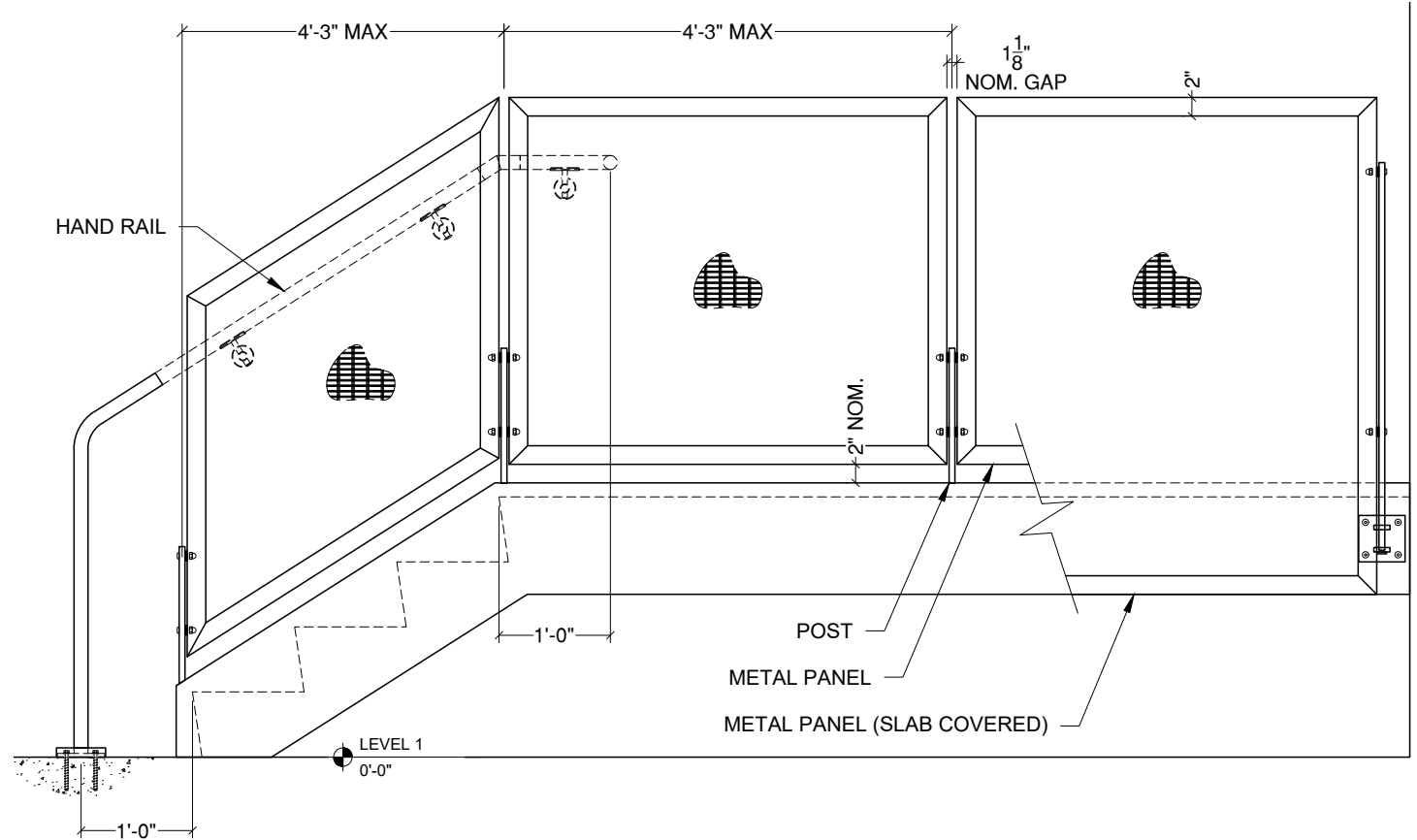


SLAB FASCIA COVER
SECTION

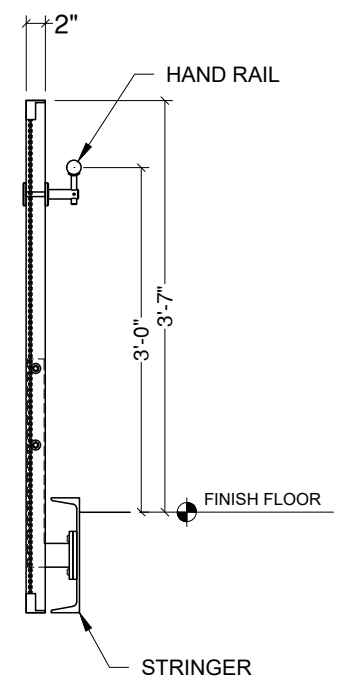
VIVA RAILINGS IS NOT RESPONSIBLE FOR THE STRUCTURAL INTEGRITY OF ANY BUILDING SYSTEMS OR OTHER MATERIALS NOT FURNISHED BY VIVA RAILINGS. VIVA RAILINGS HAS NO WAY OF KNOWING AND SPECIFICALLY DISCLAIMS WHETHER OR NOT THE BUILDING SYSTEMS TO WHICH VIVA RAILINGS' PRODUCTS ARE TO BE ATTACHED ARE STRUCTURALLY SOUND OR DESIGNED TO PROPERLY SUPPORT VIVA RAILINGS'S MATERIALS. ANY SUCH DESIGN RESPONSIBILITY BELONGS TO OTHERS FOR WHOM VIVA RAILINGS IS NOT RESPONSIBLE. THESE DRAWINGS ARE INTENDED FOR THE SOLE USE OF VIVA RAILINGS' CUSTOMER AND THEIR AGENTS FOR THE INSTALLATION OF PRODUCTS FURNISHED BY VIVA RAILINGS. VIVA RAILINGS REMAINS THE SOLE OWNER OF ALL DESIGNS AND INTELLECTUAL PROPERTY CONTAINED WITHIN. REPRODUCTION AND USE OF THESE DESIGNS FOR ANY OTHER PURPOSE IS FORBIDDEN. SCALES ARE PROVIDED FOR REFERENCE ONLY. FOR PRODUCT INFORMATION AND TECHNICAL SUPPORT, PLEASE CONTACT VIVA RAILINGS.



AVAILABLE
WIREMESH
TYPES:

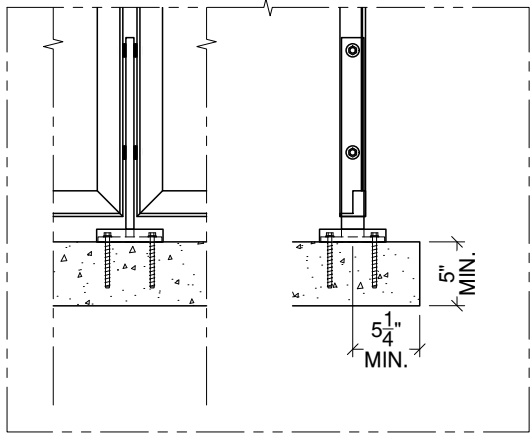


SECTION



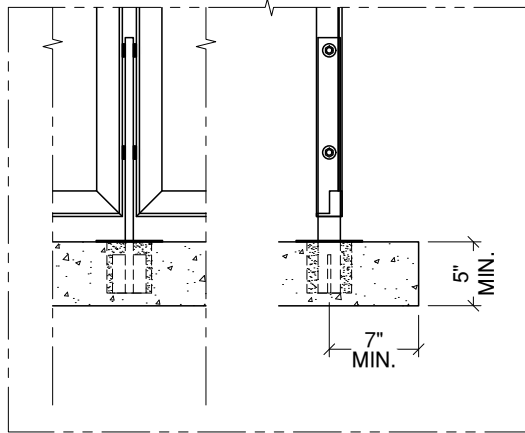
SLAB FASCIA COVER
SECTION

VIVA RAILINGS IS NOT RESPONSIBLE FOR THE STRUCTURAL INTEGRITY OF ANY BUILDING SYSTEMS OR OTHER MATERIALS NOT FURNISHED BY VIVA RAILINGS. VIVA RAILINGS HAS NO WAY OF KNOWING AND SPECIFICALLY DISCLAIMS WHETHER OR NOT THE BUILDING SYSTEMS TO WHICH VIVA RAILINGS' PRODUCTS ARE TO BE ATTACHED ARE STRUCTURALLY SOUND OR DESIGNED TO PROPERLY SUPPORT VIVA RAILINGS'S MATERIALS. ANY SUCH DESIGN RESPONSIBILITY BELONGS TO OTHERS FOR WHOM VIVA RAILINGS IS NOT RESPONSIBLE. THESE DRAWINGS ARE INTENDED FOR THE SOLE USE OF VIVA RAILINGS' CUSTOMER AND THEIR AGENTS FOR THE INSTALLATION OF PRODUCTS FURNISHED BY VIVA RAILINGS. VIVA RAILINGS REMAINS THE SOLE OWNER OF ALL DESIGNS AND INTELLECTUAL PROPERTY CONTAINED WITHIN. REPRODUCTION AND USE OF THESE DESIGNS FOR ANY OTHER PURPOSE IS FORBIDDEN. SCALES ARE PROVIDED FOR REFERENCE ONLY. FOR PRODUCT INFORMATION AND TECHNICAL SUPPORT, PLEASE CONTACT VIVA RAILINGS.



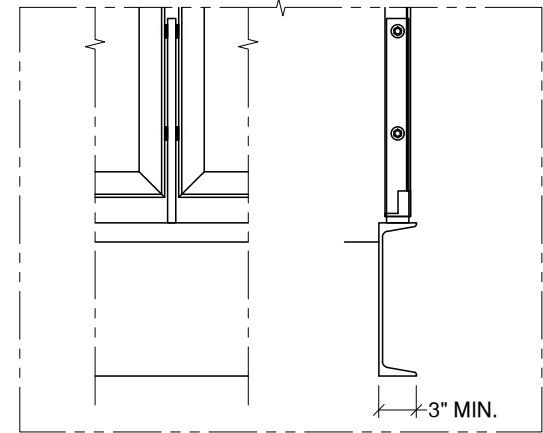
Anchored to Concrete ¹ - \$ ²

Detail# EN-T01



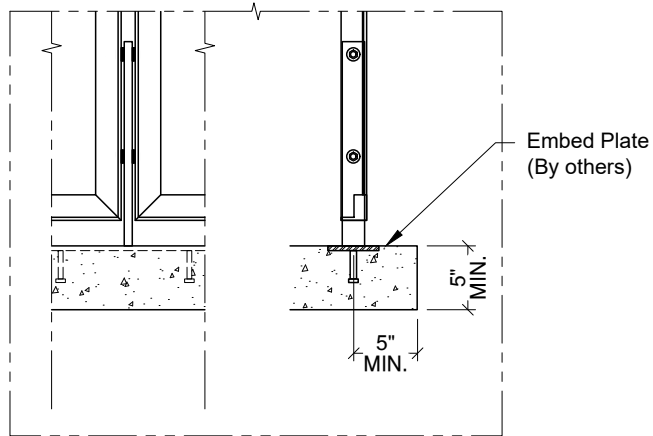
Cored into Concrete - \$\$

Detail# EN-T02



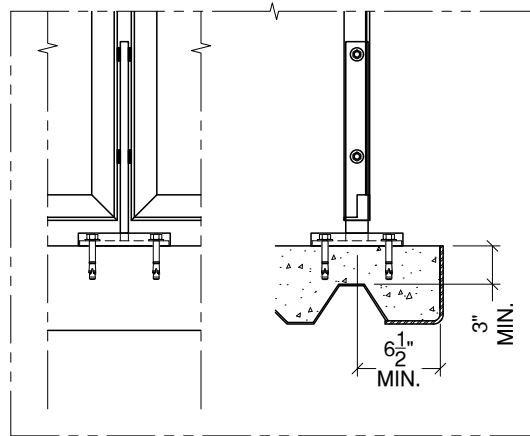
Welded @ Steel Channel - \$

Detail# EN-T03



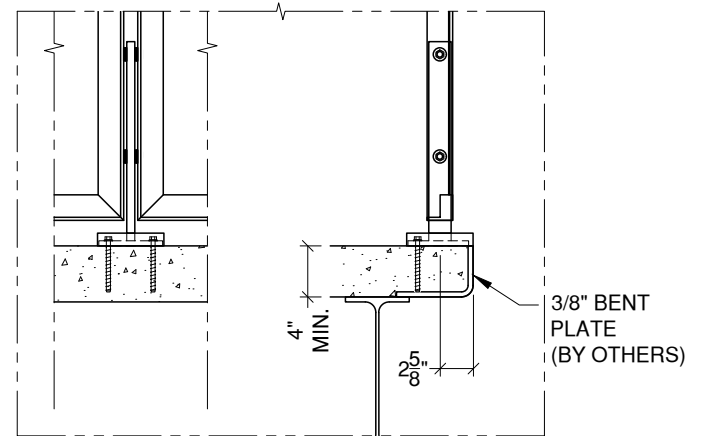
Welded @ Embed Plate - \$

Detail# EN-T04



Anchored to Concrete Slab on Deck - \$\$

Detail# EN-T05



Anchored to Concrete
Welded to Steel Plate - \$

Detail# EN-T06

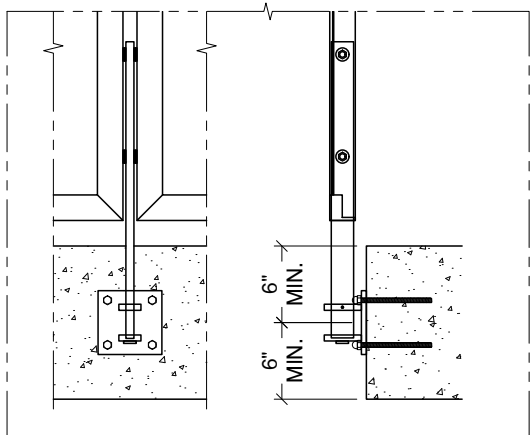
(1) Min. 4000 PSI concrete, Typ.

(2) \$ to \$\$\$: Indicates mounting type comparative cost

VIVA RAILINGS IS NOT RESPONSIBLE FOR THE STRUCTURAL INTEGRITY OF ANY BUILDING SYSTEMS OR OTHER MATERIALS NOT FURNISHED BY VIVA RAILINGS. VIVA RAILINGS HAS NO WAY OF KNOWING AND SPECIFICALLY DISCLAIMS WHETHER OR NOT THE BUILDING SYSTEMS TO WHICH VIVA RAILINGS' PRODUCTS ARE TO BE ATTACHED ARE STRUCTURALLY SOUND OR DESIGNED TO PROPERLY SUPPORT VIVA RAILINGS'S MATERIALS. ANY SUCH DESIGN RESPONSIBILITY BELONGS TO OTHERS FOR WHOM VIVA RAILINGS IS NOT RESPONSIBLE.

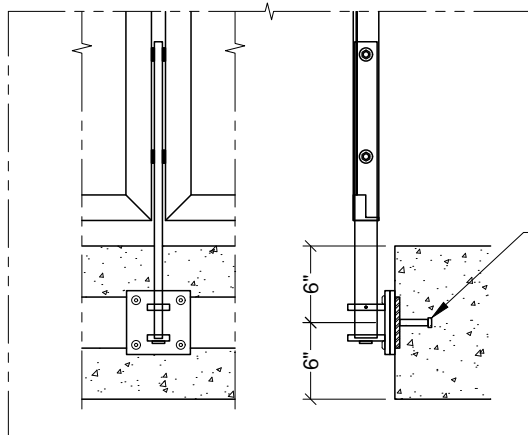
THESE DRAWINGS ARE INTENDED FOR THE SOLE USE OF VIVA RAILINGS' CUSTOMER AND THEIR AGENTS FOR THE INSTALLATION OF PRODUCTS FURNISHED BY VIVA RAILINGS. VIVA RAILINGS REMAINS THE SOLE OWNER OF ALL DESIGNS AND INTELLECTUAL PROPERTY CONTAINED WITHIN.

REPRODUCTION AND USE OF THESE DESIGNS FOR ANY OTHER PURPOSE IS FORBIDDEN. SCALES ARE PROVIDED FOR REFERENCE ONLY. FOR PRODUCT INFORMATION AND TECHNICAL SUPPORT, PLEASE CONTACT VIVA RAILINGS.



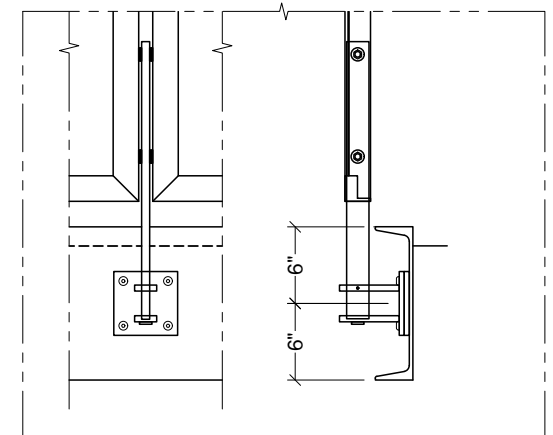
Anchored to Concrete ¹ - \$\$\$

Detail# EN-F01



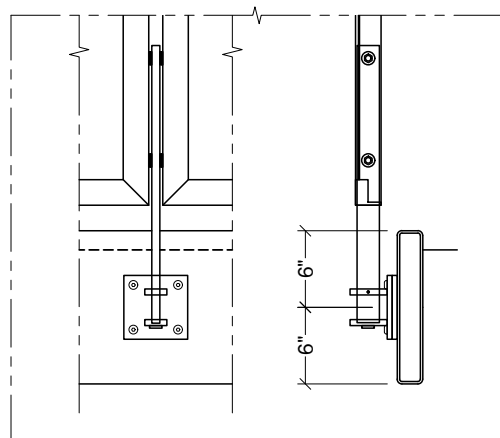
Welded @ Embed Plate - \$\$

Detail# EN-F02



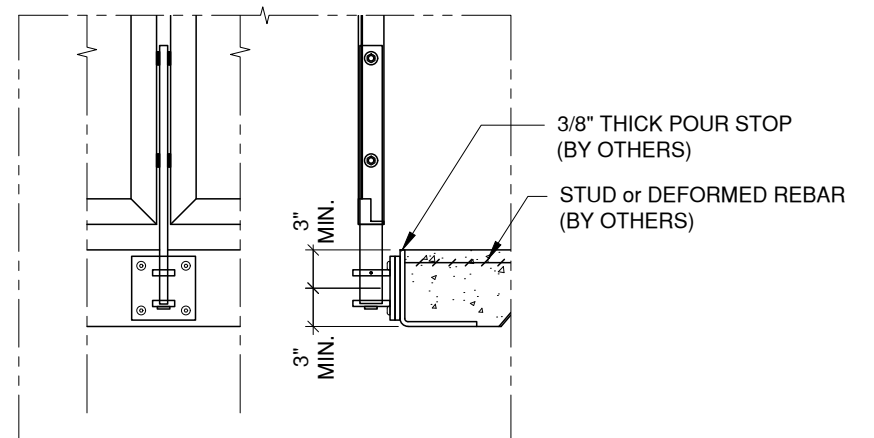
Welded @ Steel Channel - \$\$

Detail# EN-F03



Welded @ Steel Tube - \$\$

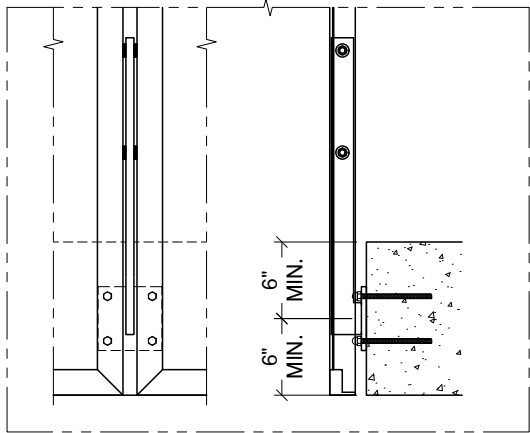
Detail# EN-F04



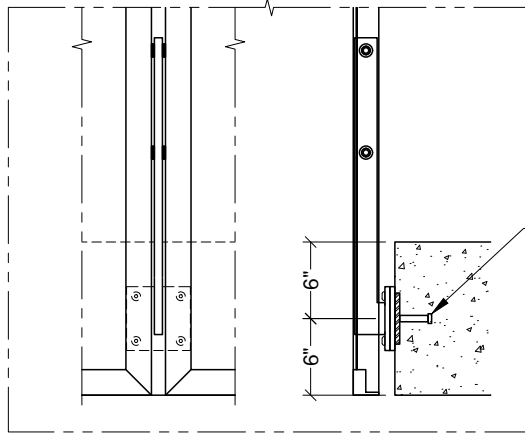
Welded @ Pour Stop - \$\$

Detail# EN-F05

VIVA RAILINGS IS NOT RESPONSIBLE FOR THE STRUCTURAL INTEGRITY OF ANY BUILDING SYSTEMS OR OTHER MATERIALS NOT FURNISHED BY VIVA RAILINGS. VIVA RAILINGS HAS NO WAY OF KNOWING AND SPECIFICALLY DISCLAIMS WHETHER OR NOT THE BUILDING SYSTEMS TO WHICH VIVA RAILINGS' PRODUCTS ARE TO BE ATTACHED ARE STRUCTURALLY SOUND OR DESIGNED TO PROPERLY SUPPORT VIVA RAILINGS'S MATERIALS. ANY SUCH DESIGN RESPONSIBILITY BELONGS TO OTHERS FOR WHOM VIVA RAILINGS IS NOT RESPONSIBLE. THESE DRAWINGS ARE INTENDED FOR THE SOLE USE OF VIVA RAILINGS' CUSTOMER AND THEIR AGENTS FOR THE INSTALLATION OF PRODUCTS FURNISHED BY VIVA RAILINGS. VIVA RAILINGS REMAINS THE SOLE OWNER OF ALL DESIGNS AND INTELLECTUAL PROPERTY CONTAINED WITHIN. REPRODUCTION AND USE OF THESE DESIGNS FOR ANY OTHER PURPOSE IS FORBIDDEN. SCALES ARE PROVIDED FOR REFERENCE ONLY. FOR PRODUCT INFORMATION AND TECHNICAL SUPPORT, PLEASE CONTACT VIVA RAILINGS.

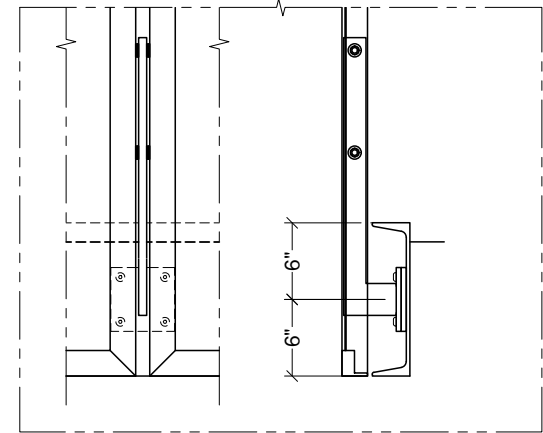


Anchored to Concrete ¹ - \$\$\$
Detail# EN-F10

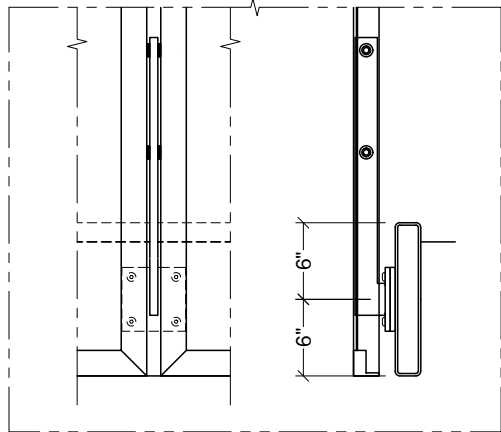


Welded @ Embed Plate - \$\$
Detail# EN-F11

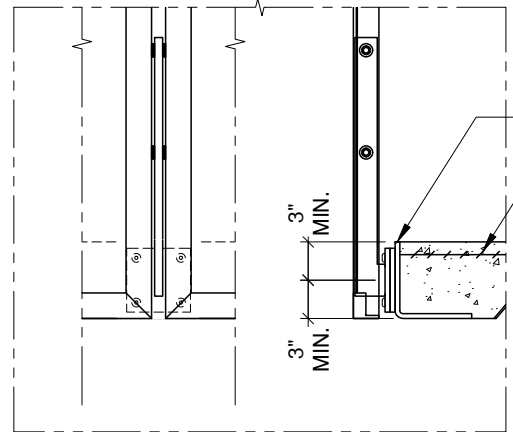
Embed Plate
(By others)



Welded @ Steel Channel - \$\$
Detail# EN-F12

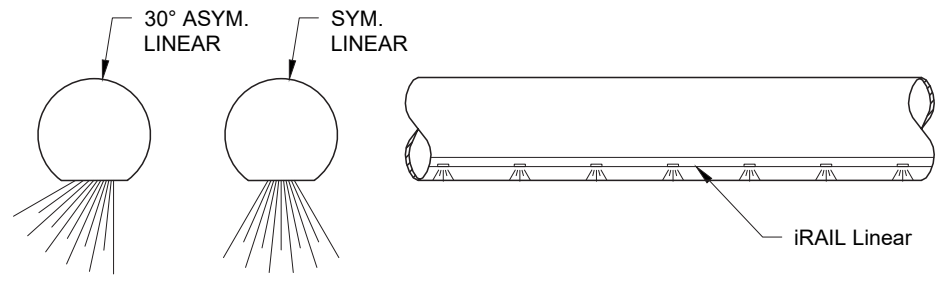


Welded @ Steel Tube - \$\$
Detail# EN-F13

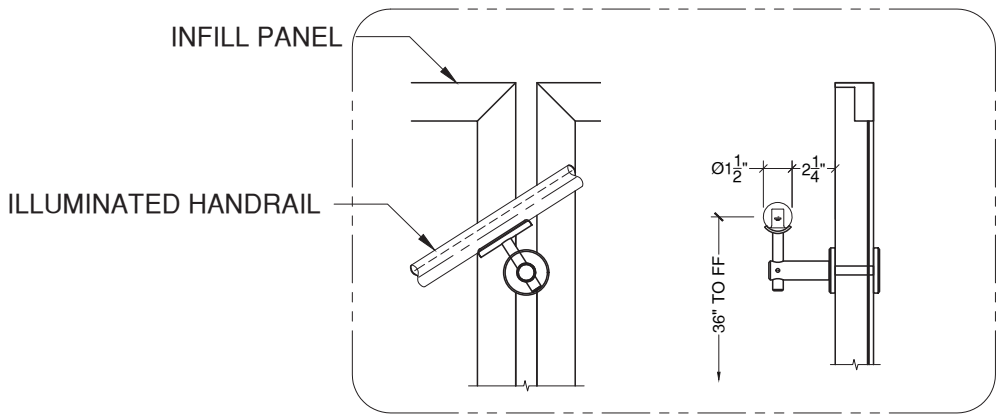


Welded @ Pour Stop - \$\$
Detail# EN-F14

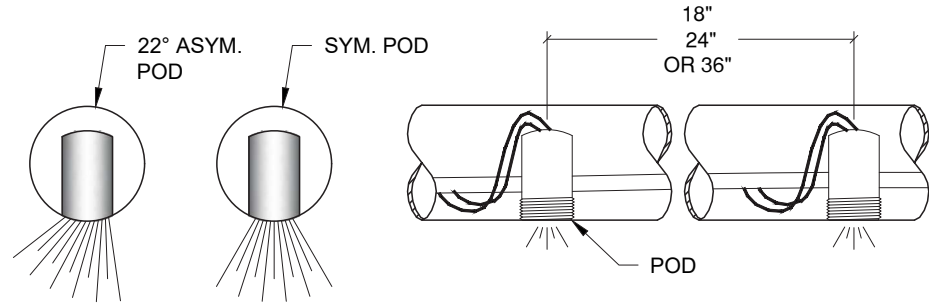
3/8" THICK POUR STOP
(BY OTHERS)
STUD or DEFORMED REBAR
(BY OTHERS)



iRAIL LINEAR ORIENTATION OPTIONS



Illuminated Handrail Option



iRAIL POD ORIENTATION OPTIONS

iRAIL POD SPACING OPTIONS

For more info: vivarailings.com/products/led-illuminated-railing-system