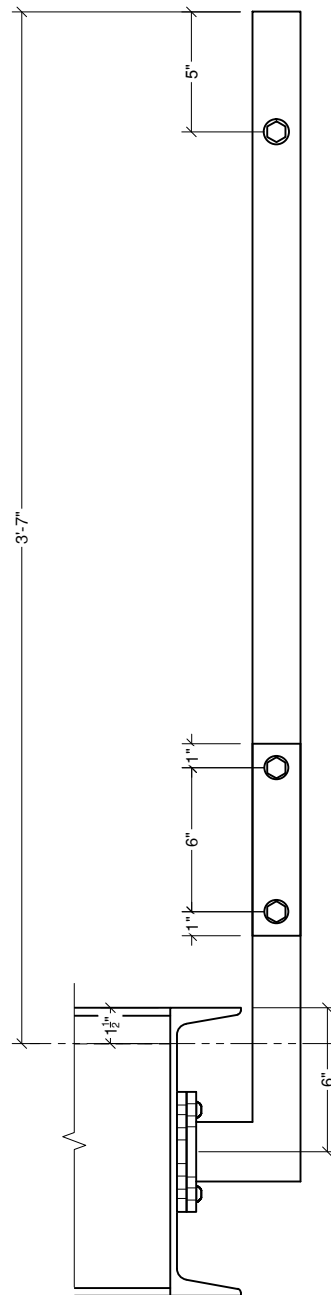
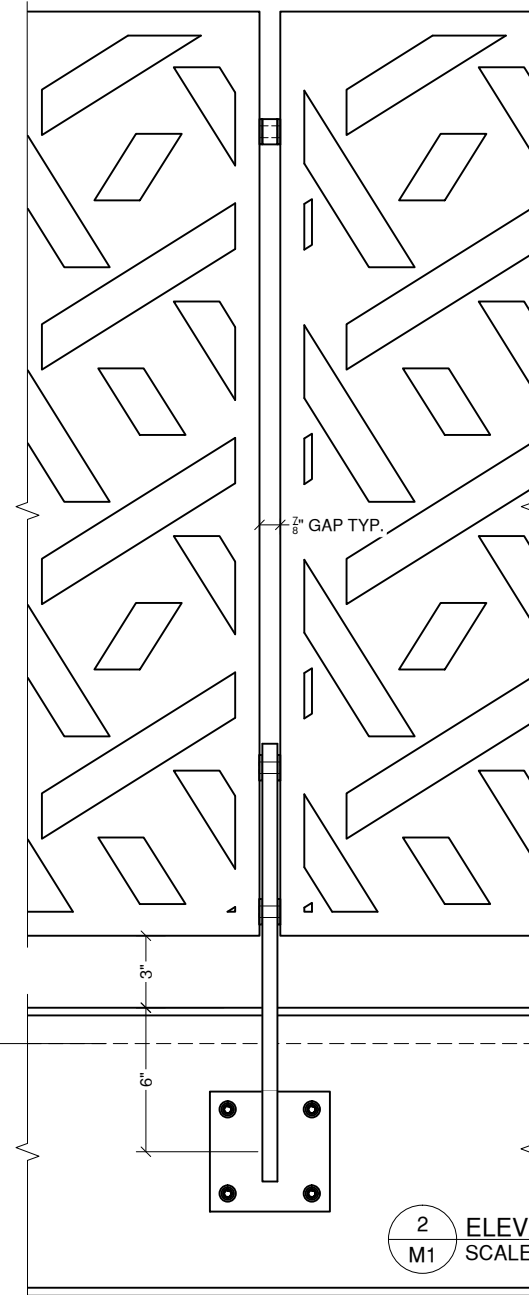


FOR MORE PATTERN OPTIONS  
AVAILABLE, PLEASE VISIT OUR  
WEBSITE: [VIVARAILINGS.COM](http://VIVARAILINGS.COM)

## VIVA NEW METAL PANEL SYSTEM



1 SIDE DETAIL  
SCALE: 1 1/2" = 1'-0"



2 ELEVATION DETAIL  
SCALE: 1 1/2" = 1'-0"

MOUNTING OPTIONS	
FASCIA MOUNT   STEEL	M9-M10/M 14
TOP MOUNT   CONCRETE	M11-M12
TOP MOUNT   STEEL	M13



VIVA RAILINGS, LLC  
1454 HALSEY WAY  
CARROLLTON, TX 75007  
P: 972-353-8482  
F: 972-353-0013  
e: [info@vivarailings.com](mailto:info@vivarailings.com)  
[www.vivarailings.com](http://www.vivarailings.com)

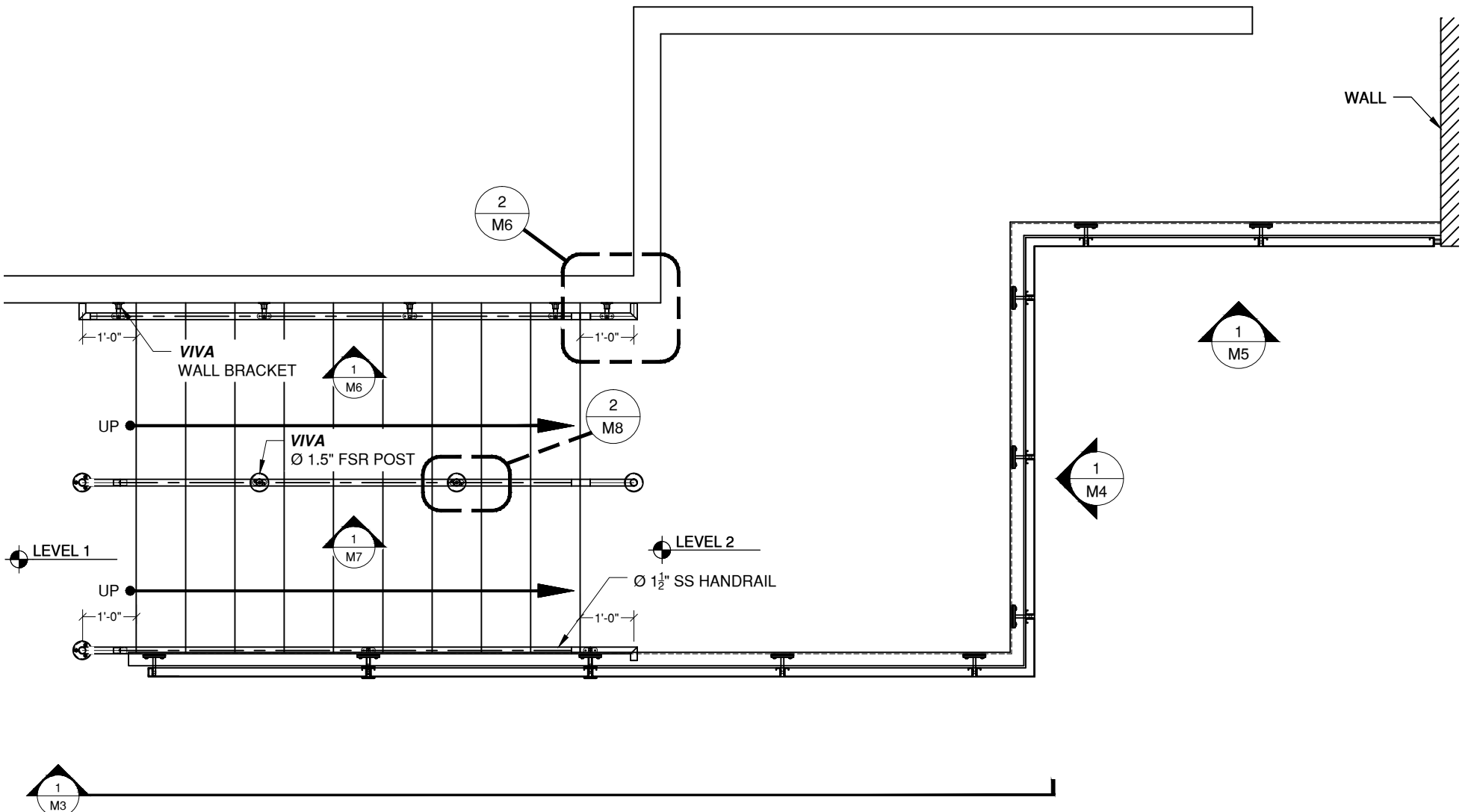
DESCRIPTION:  
VIVA NEW PANEL SYSTEM  
PRODUCT DATA

DATE DRAWN  
10/3/17

PIECE MARK  
-

DRAWN BY  
DD

SHEET NUMBER  
M01 OF M14



1 PLAN - STAIR 1  
M2 SCALE: 3/8" = 1'-0"

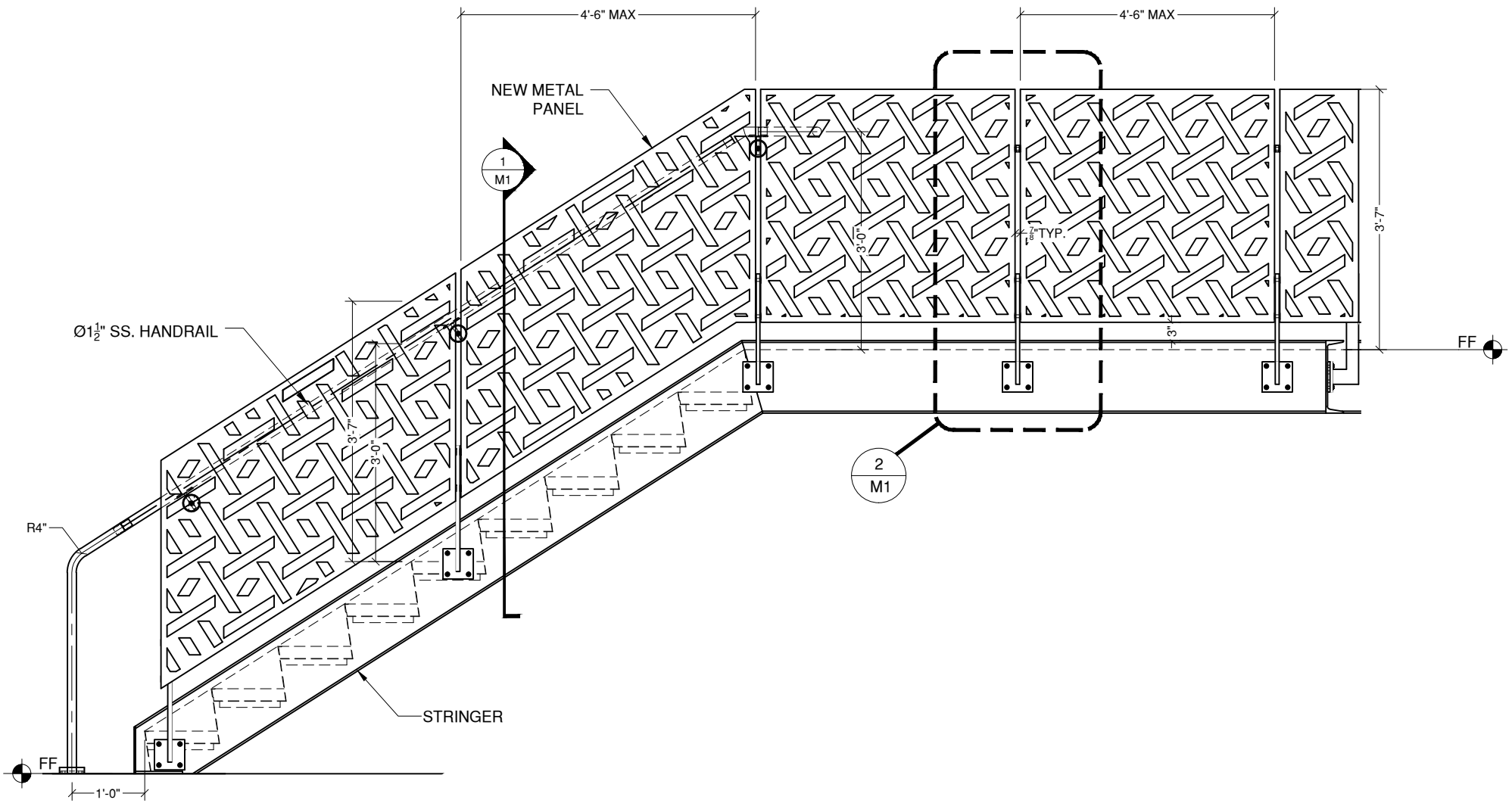


VIVA RAILINGS, LLC  
1454 HALSEY WAY  
CARROLLTON, TX 75007  
P: 972-353-8482  
F: 972-353-0013  
e: info@vivarailings.com  
www.vivarailings.com

DESCRIPTION:  
VIVA NEW PANEL SYSTEM  
PRODUCT DATA  
-

DATE DRAWN  
10/3/17  
PIECE MARK  
-

DRAWN BY  
DD  
SHEET NUMBER  
M02 OF M14



1  
M3

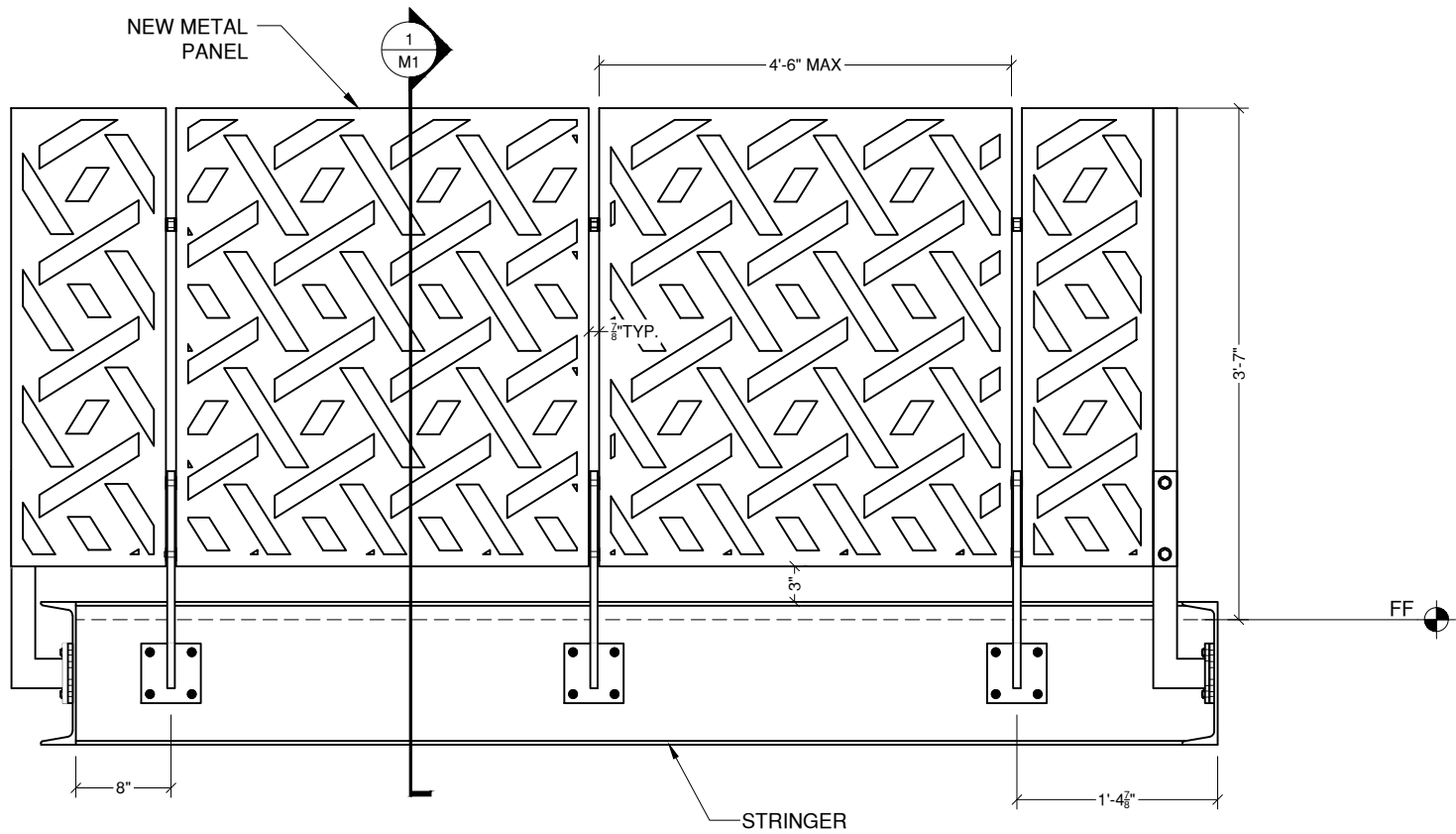
ELEV - STAIR 1 EXTERIOR  
SCALE: 1/2" = 1'-0"



VIVA RAILINGS, LLC  
1454 HALSEY WAY  
CARROLLTON, TX 75007  
P: 972-353-8482  
F: 972-353-0013  
e: info@vivarailings.com  
www.vivarailings.com

DESCRIPTION:  
VIVA NEW PANEL SYSTEM  
PRODUCT DATA

DATE DRAWN 10/3/17	DRAWN BY DD
PIECE MARK -	SHEET NUMBER M03 OF M14



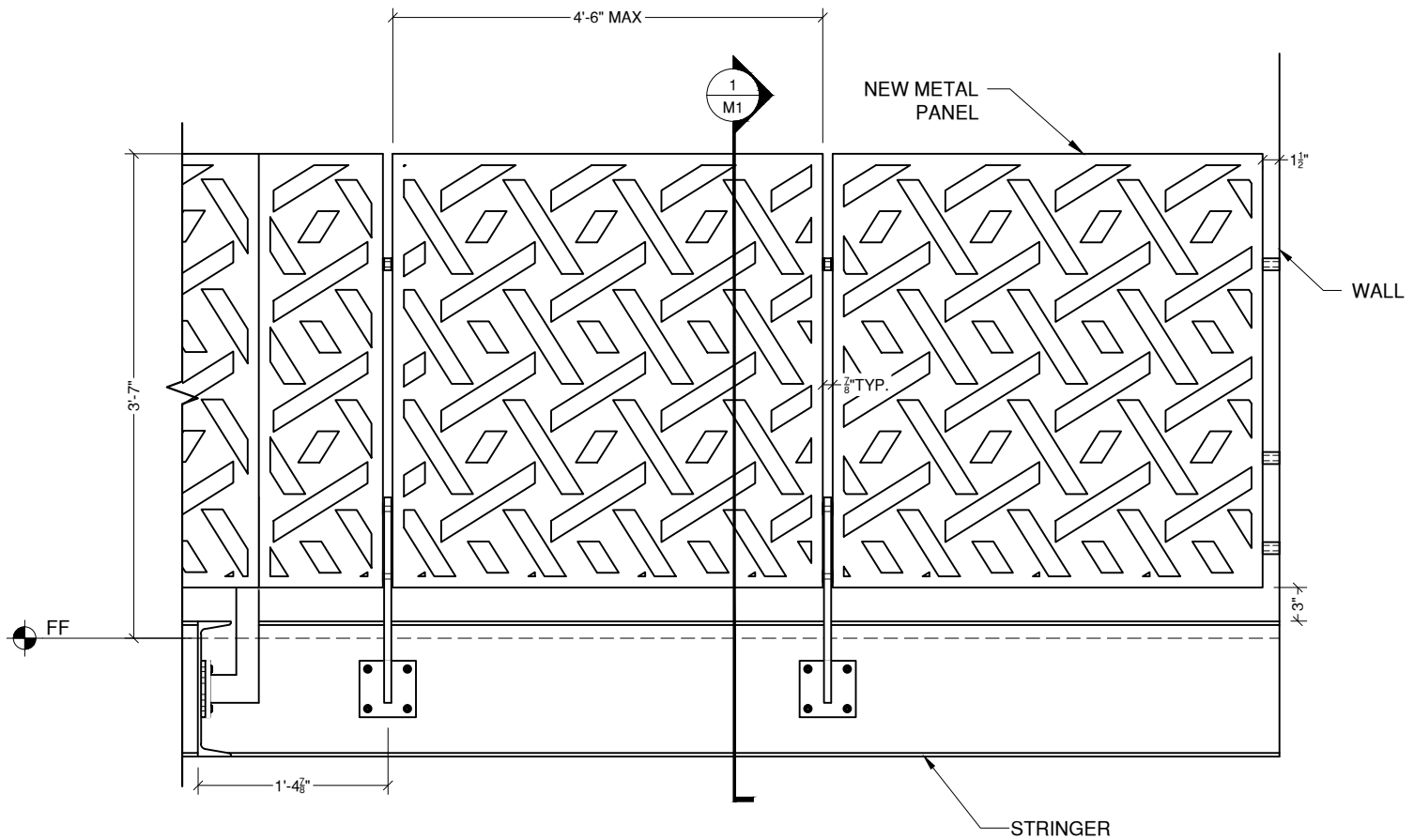
1  
M4 ELEV - WALKWAY 1  
SCALE: 3/4" = 1'-0"



VIVA RAILINGS, LLC  
 1454 HALSEY WAY  
 CARROLLTON, TX 75007  
 P: 972-353-8482  
 F: 972-353-0013  
 e: info@vivarailings.com  
 www.vivarailings.com

DESCRIPTION:  
 VIVA NEW PANEL SYSTEM  
 PRODUCT DATA  
 -

DATE DRAWN 10/3/17	DRAWN BY DD
PIECE MARK -	SHEET NUMBER M04 OF M14



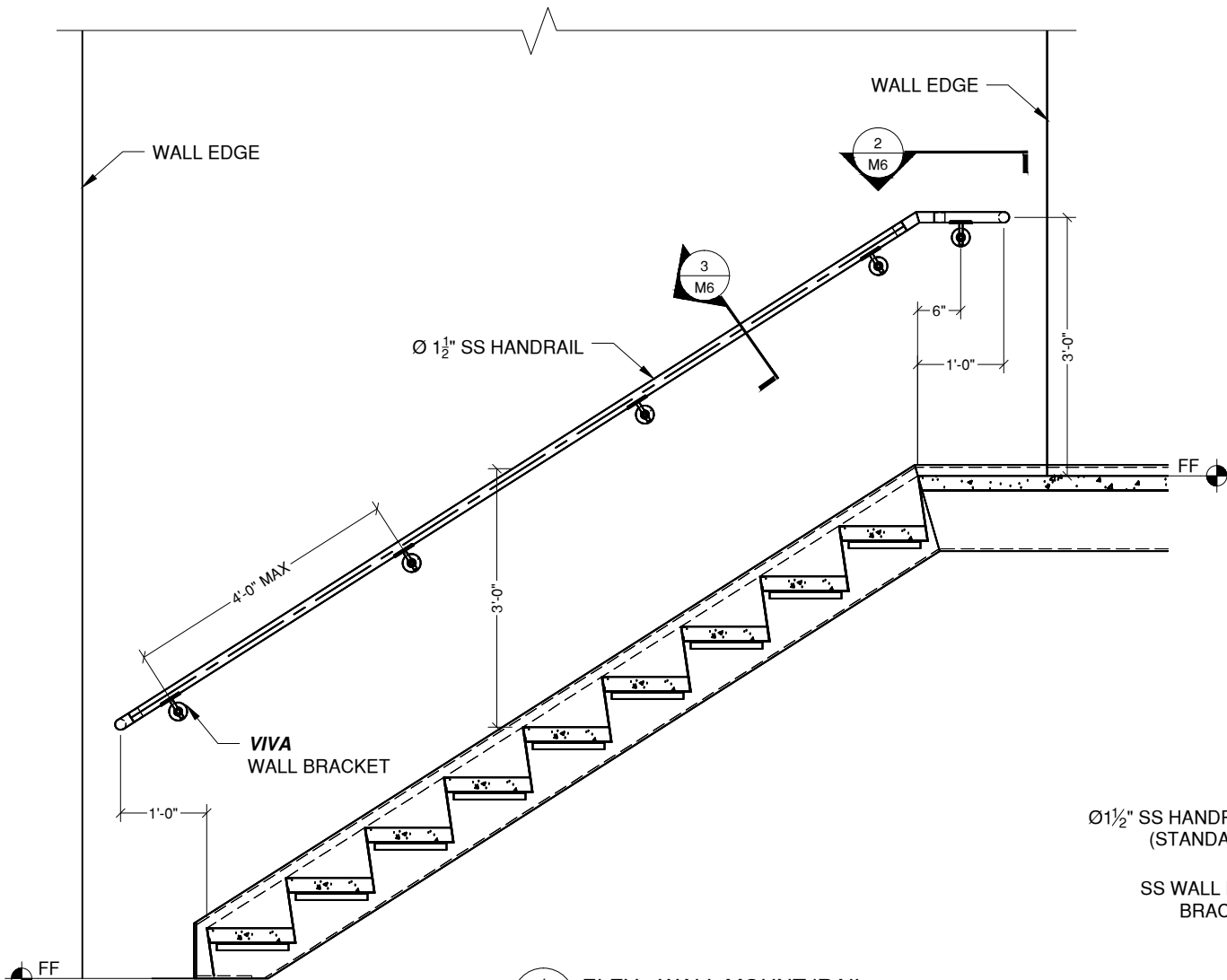
1 ELEV - WALKWAY 2  
M5 SCALE: 3/4" = 1'-0"



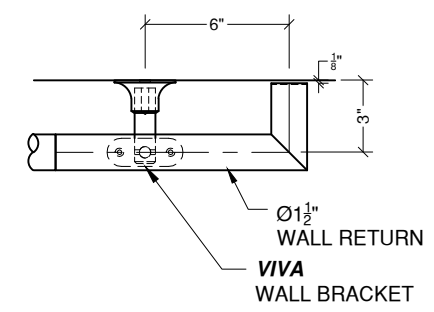
VIVA RAILINGS, LLC  
1454 HALSEY WAY  
CARROLLTON, TX 75007  
P: 972-353-8482  
F: 972-353-0013  
e: info@vivarailings.com  
www.vivarailings.com

DESCRIPTION:  
VIVA NEW PANEL SYSTEM  
PRODUCT DATA

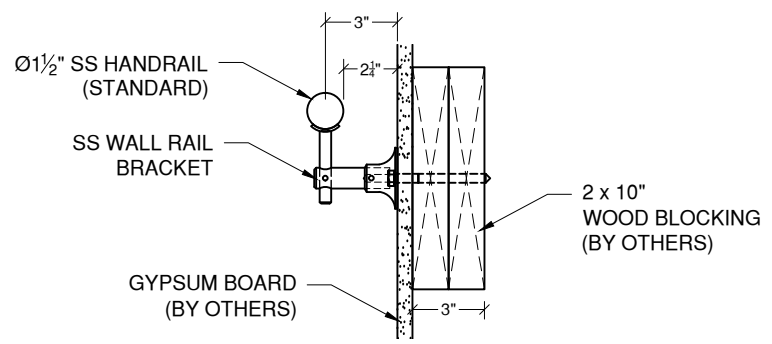
DATE DRAWN 10/3/17	DRAWN BY DD
PIECE MARK -	SHEET NUMBER M05 OF M14



**1** ELEV - WALL MOUNT I-RAIL  
 M6 SCALE: 1/2" = 1'-0"



**2** WALL BRACKET & RETURN PLAN  
 M6 SCALE: 1 1/2" = 1'-0"



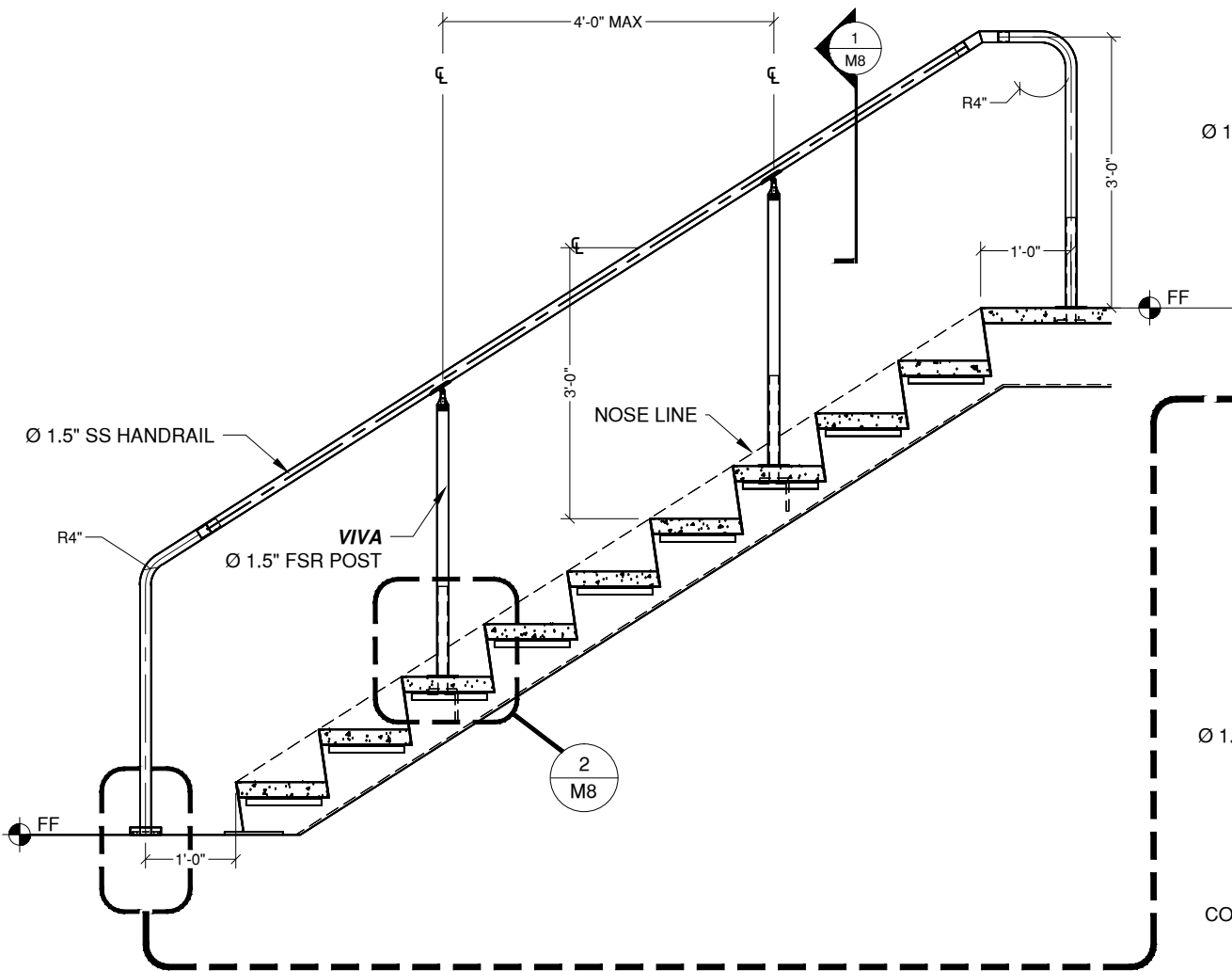
**3** WALL BRACKET SECTION  
 M6 SCALE: 1 1/2" = 1'-0"



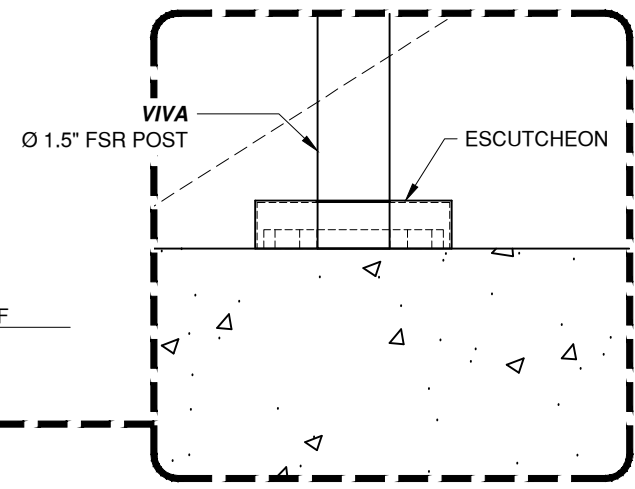
**VIVA RAILINGS, LLC**  
 1454 HALSEY WAY  
 CARROLLTON, TX 75007  
 P: 972-353-8482  
 F: 972-353-0013  
 e: info@vivarailings.com  
 www.vivarailings.com

DESCRIPTION:  
**VIVA NEW PANEL SYSTEM**  
**PRODUCT DATA**  
 -

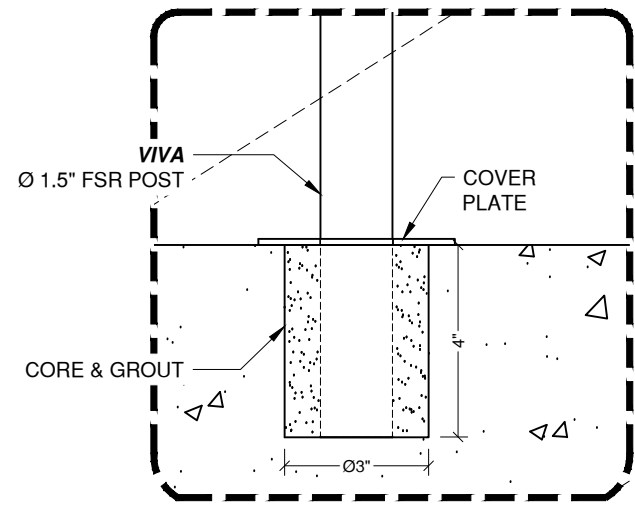
DATE DRAWN 10/3/17	DRAWN BY DD
PIECE MARK -	SHEET NUMBER M06 OF M14



1 ELEV - FREE STANDING RAIL  
SCALE: 1/2" = 1'-0"



1 MOUNT OPTION - ANCHOR @ CONCRETE  
SCALE: 3" = 1'-0"



2 MOUNT OPTION - CORE @ CONCRETE  
SCALE: 3" = 1'-0"

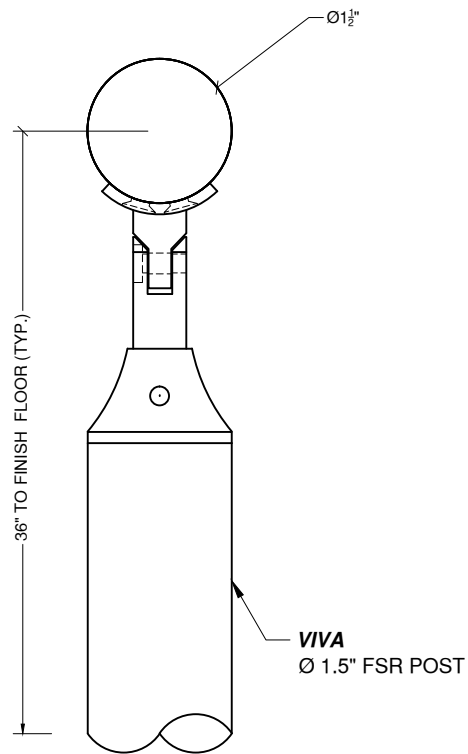


VIVA RAILINGS, LLC  
1454 HALSEY WAY  
CARROLLTON, TX 75007  
P: 972-353-8482  
F: 972-353-0013  
e: info@vivarailings.com  
www.vivarailings.com

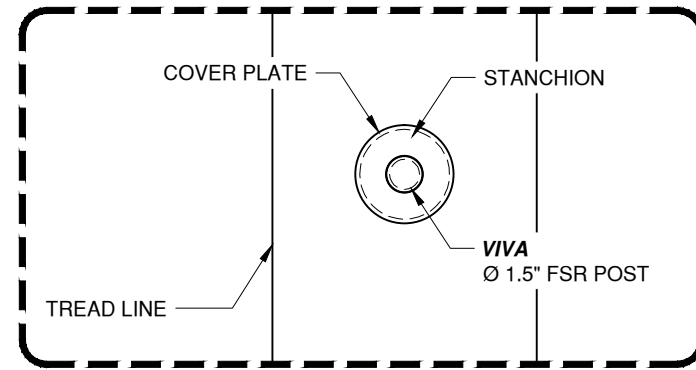
DESCRIPTION:  
VIVA NEW PANEL SYSTEM  
PRODUCT DATA  
-

DATE DRAWN  
10/3/17  
PIECE MARK  
-

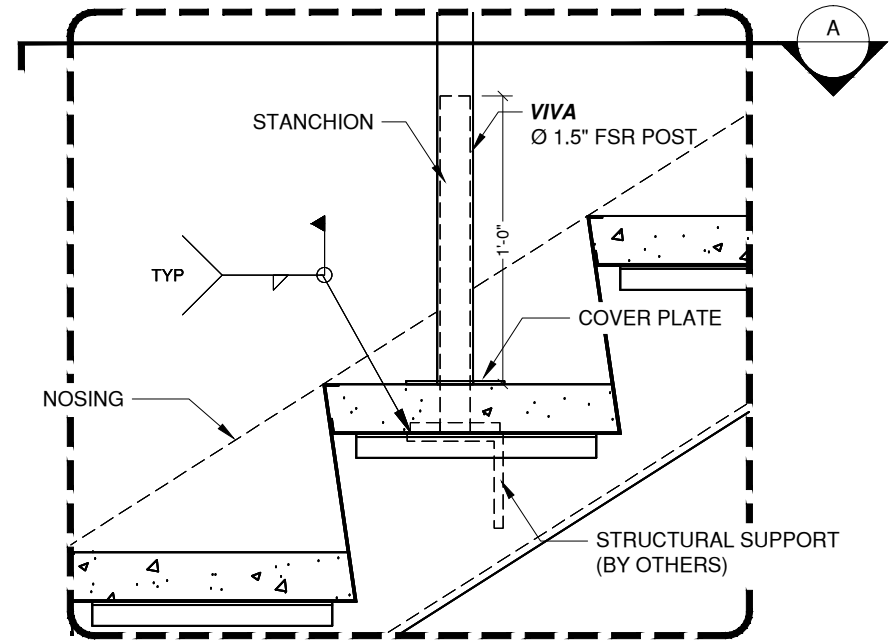
DRAWN BY  
DD  
SHEET NUMBER  
M07 OF M14



1 SECT - FREE STANDING iRAIL  
M8 SCALE: 6" = 1'-0"



A SECTION  
SCALE: 1-1/2" = 1'-0"



2 FSR STANCHION MOUNT DETAIL  
M8 SCALE: 1-1/2" = 1'-0"



VIVA RAILINGS, LLC  
1454 HALSEY WAY  
CARROLLTON, TX 75007  
P: 972-353-8482  
F: 972-353-0013  
e: info@vivarailings.com  
www.vivarailings.com

DESCRIPTION:  
VIVA NEW PANEL SYSTEM  
PRODUCT DATA

-

DATE DRAWN

10/3/17

PIECE MARK

-

DRAWN BY

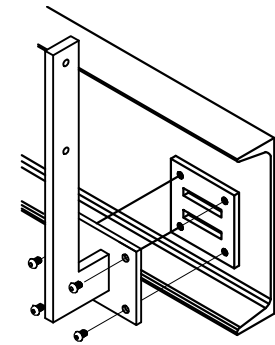
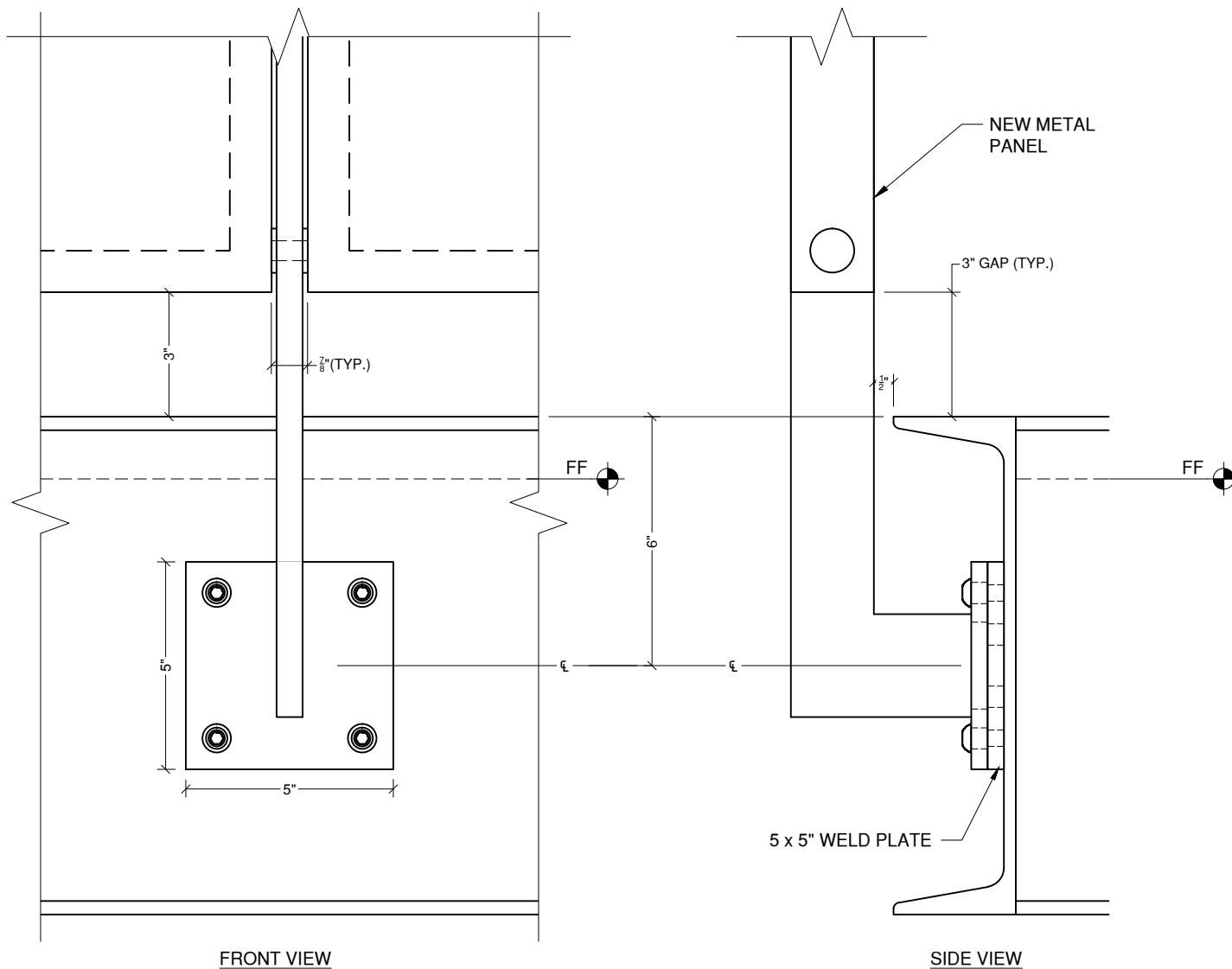
DD

SHEET NUMBER

M08 OF M14



# FASCIA MOUNTING DETAIL



ISOMETRIC

1 INTERMEDIATE PANEL @ CHANNEL  
 M10 SCALE: 3" = 1'-0"



VIVA RAILINGS, LLC  
 1454 HALSEY WAY  
 CARROLLTON, TX 75007  
 P: 972-353-8482  
 F: 972-353-0013  
 e: info@vivarailings.com  
 www.vivarailings.com

DESCRIPTION:  
 VIVA NEW PANEL SYSTEM  
 PRODUCT DATA

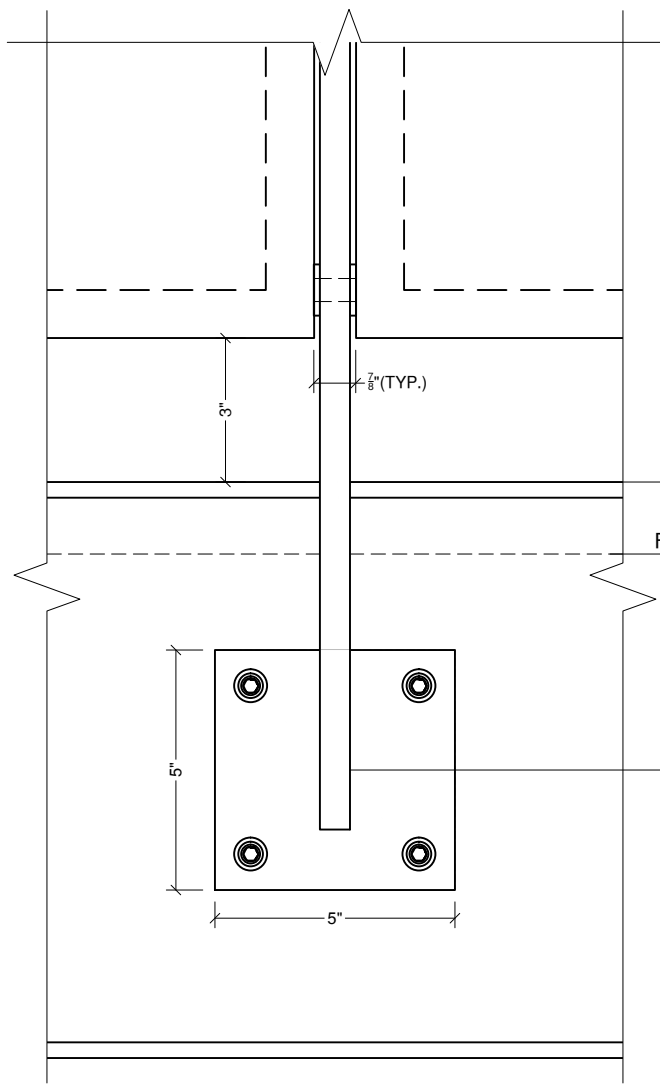
DATE DRAWN  
 10/3/17

PIECE MARK  
 -

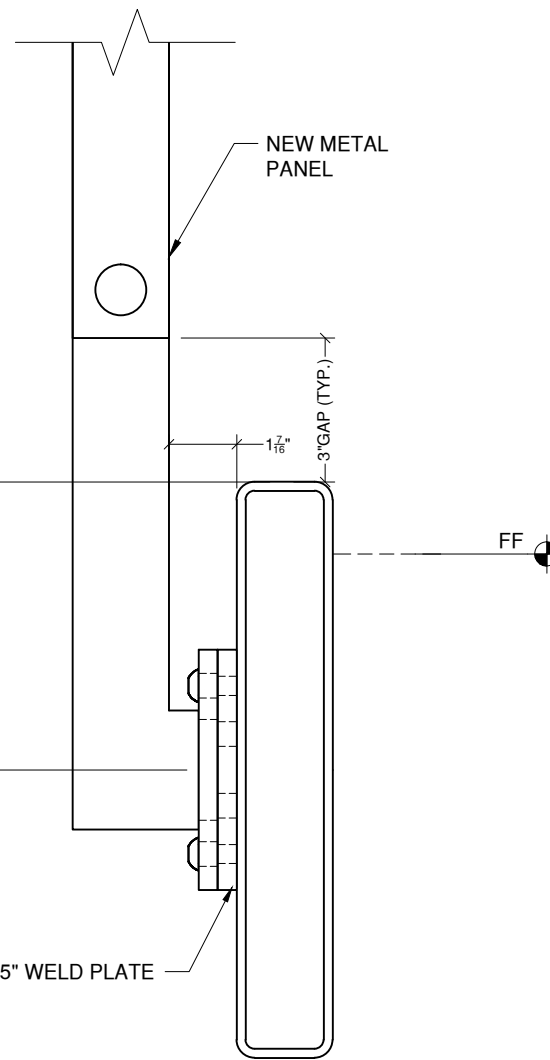
DRAWN BY  
 DD

SHEET NUMBER  
 M9 OF M14

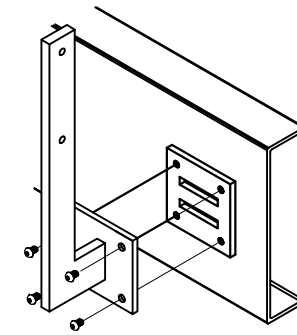
# FASCIA MOUNTING DETAIL



FRONT VIEW



SIDE VIEW



ISOMETRIC

1 INTERMEDIATE PANEL @ TUBE  
M11 SCALE: 3" = 1'-0"



VIVA RAILINGS, LLC  
1454 HALSEY WAY  
CARROLLTON, TX 75007  
P: 972-353-8482  
F: 972-353-0013  
e: info@vivarailings.com  
www.vivarailings.com

DESCRIPTION:  
VIVA NEW PANEL SYSTEM  
PRODUCT DATA

DATE DRAWN

10/3/17

PIECE MARK

-

DRAWN BY

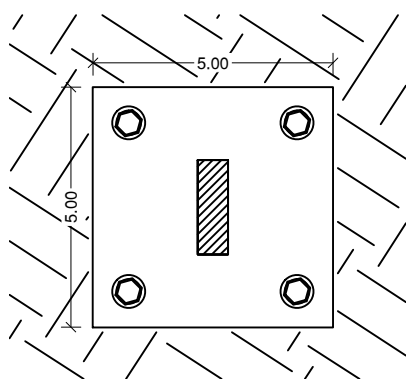
DD

SHEET NUMBER

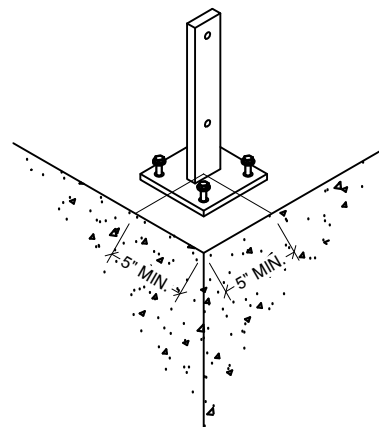
M10 OF M14

# TOP MOUNTING DETAIL

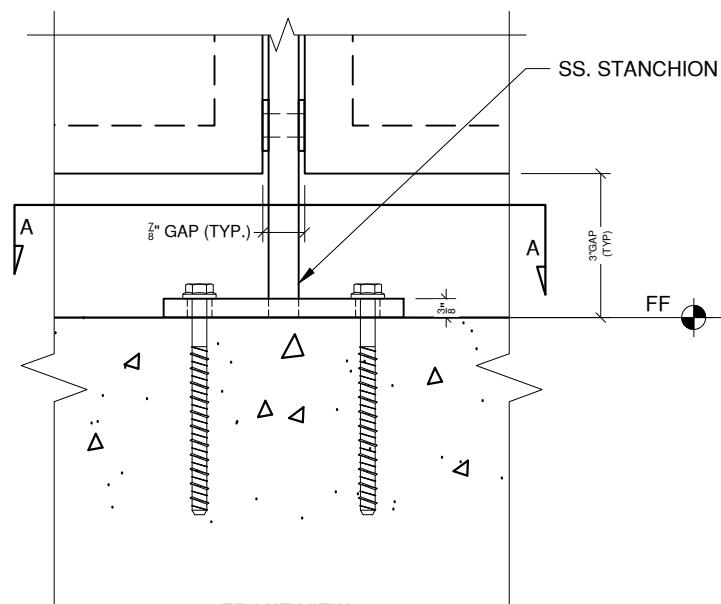
CONNECTION DESIGN BASED ON 4K psi CONCRETE @ INTERIOR w/ 4'-0" MAX POST TO POST SPACING AND MINIMUM ANCHOR TO EDGE DISTANCE AS SHOWN.



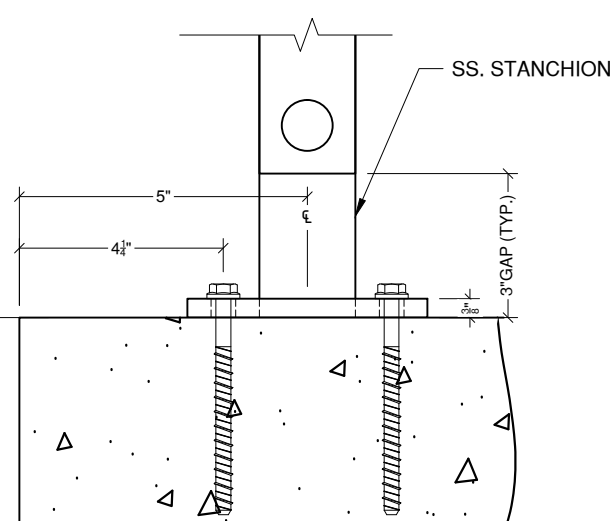
SECTION 'A-A'



ISOMETRIC



FRONT VIEW



SIDE VIEW

1  
M12

DETAIL - @ CONCRETE w/ ANCHOR  
SCALE: 3" = 1'-0"



VIVA RAILINGS, LLC  
1454 HALSEY WAY  
CARROLLTON, TX 75007  
P: 972-353-8482  
F: 972-353-0013  
e: info@vivarailings.com  
www.vivarailings.com

DESCRIPTION:  
VIVA NEW PANEL SYSTEM  
PRODUCT DATA

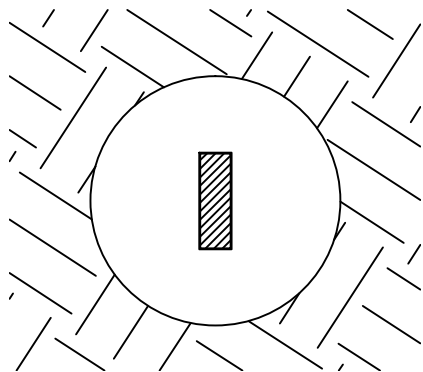
DATE DRAWN  
10/3/17

PIECE MARK

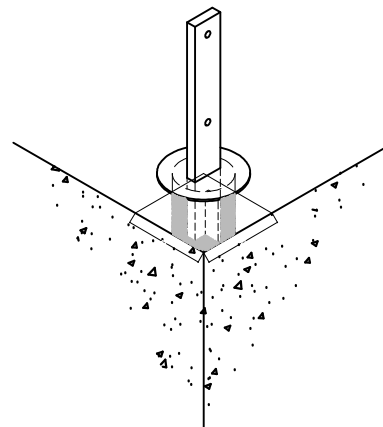
DRAWN BY  
DD

SHEET NUMBER  
M11 OF M14

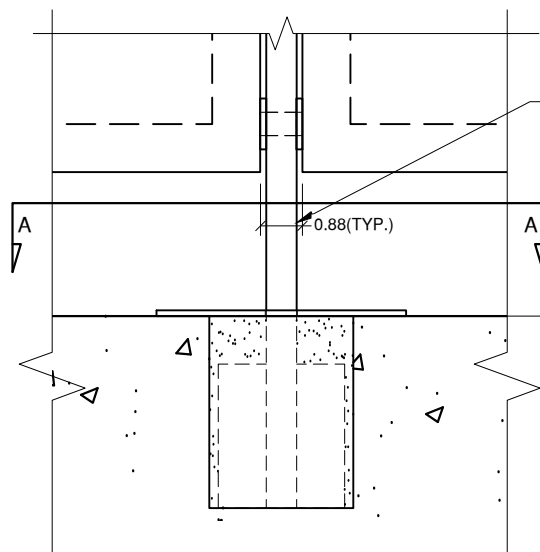
# TOP MOUNTING DETAIL



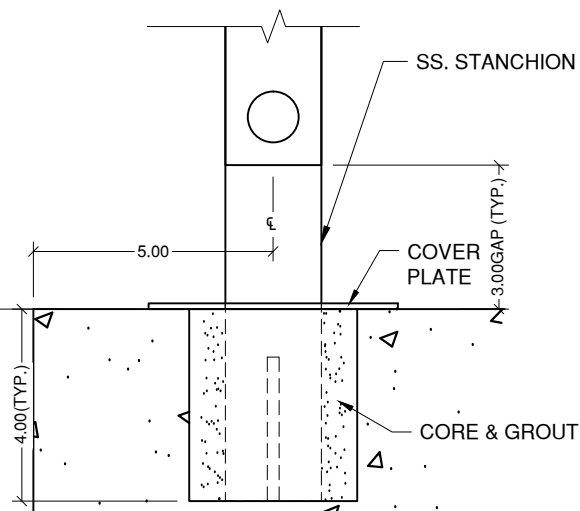
SECTION 'A-A'



ISOMETRIC



FRONT VIEW



SIDE VIEW

1
M13
 DETAIL - @ CONCRETE w/ CORE & GROUT  
 SCALE: 3" = 1'-0"



**VIVA RAILINGS, LLC**  
 1454 HALSEY WAY  
 CARROLLTON, TX 75007  
 P: 972-353-8482  
 F: 972-353-0013  
 e: info@vivarailings.com  
 www.vivarailings.com

DESCRIPTION:  
**VIVA NEW PANEL SYSTEM**  
**PRODUCT DATA**  
 -

DATE DRAWN  
 10/3/17

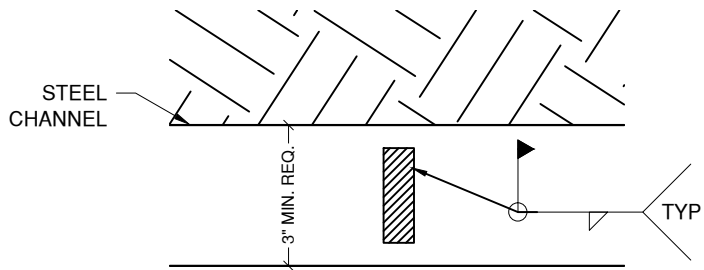
PIECE MARK

-

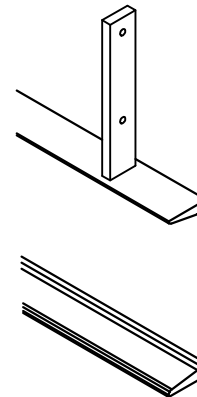
DRAWN BY  
 DD

SHEET NUMBER  
 M12 OF M14

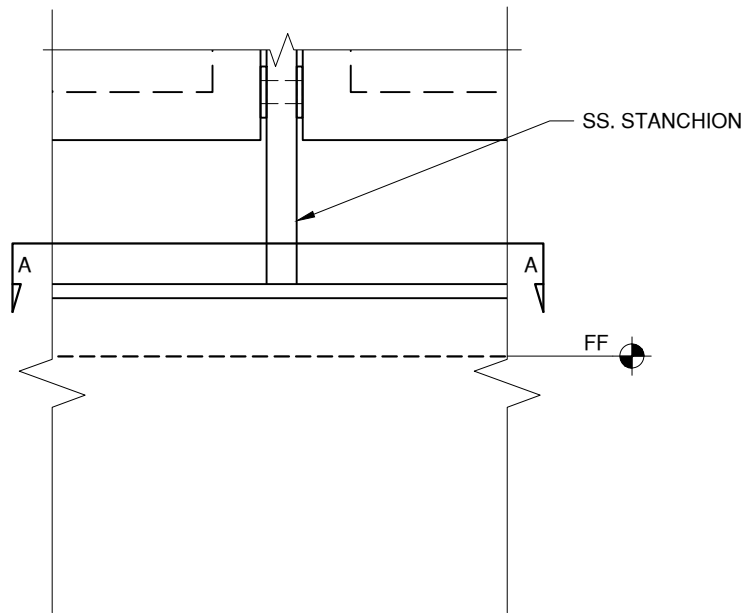
# TOP MOUNTING DETAIL



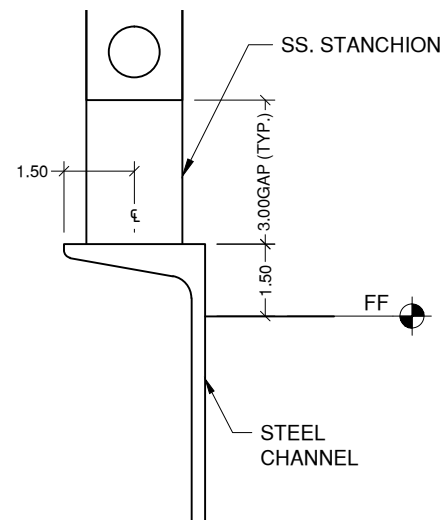
SECTION 'A-A'



ISOMETRIC



FRONT VIEW



SIDE VIEW

1
M14
 DETAIL - @ STEEL w/ TOP WELD  
 SCALE: 3" = 1'-0"



**VIVA RAILINGS, LLC**  
 1454 HALSEY WAY  
 CARROLLTON, TX 75007  
 P: 972-353-8482  
 F: 972-353-0013  
 e: info@vivarailings.com  
 www.vivarailings.com

DESCRIPTION:  
**VIVA NEW PANEL SYSTEM**  
**PRODUCT DATA**  
 -

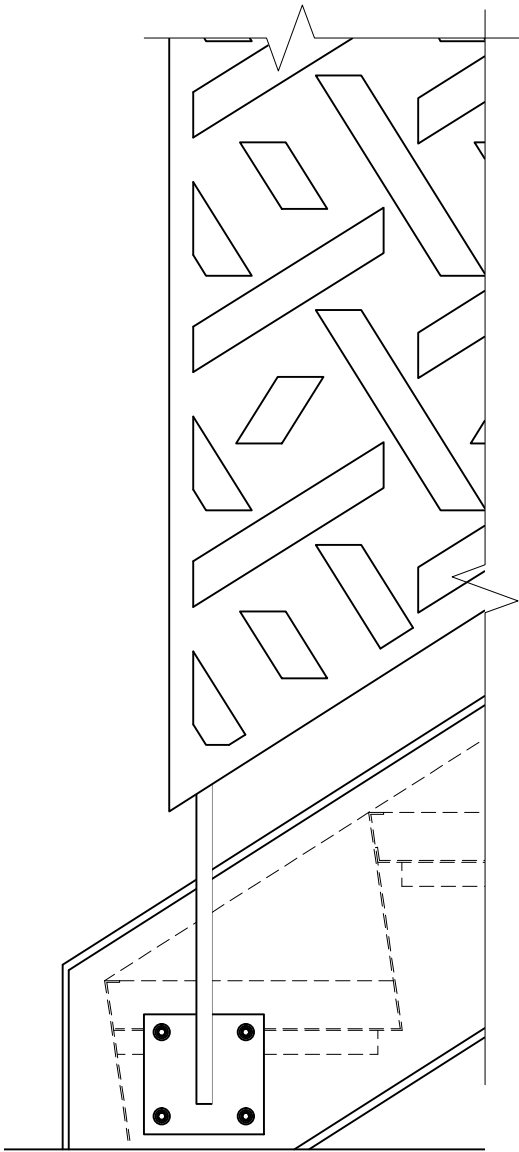
DATE DRAWN  
 10/3/17

PIECE MARK  
 -

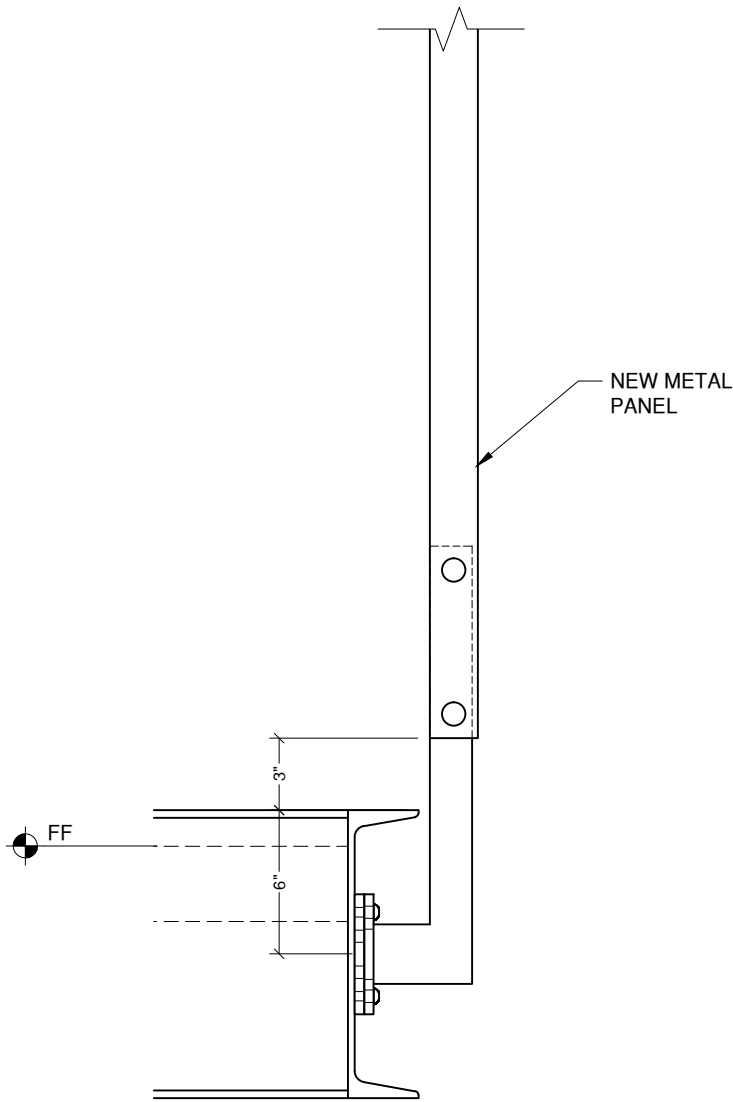
DRAWN BY  
 DD

SHEET NUMBER  
 M13 OF M14

# FASCIA MOUNTING DETAIL



FRONT VIEW



SIDE VIEW

1 END PANEL @ CHANNEL  
M15 SCALE: 3" = 1'-0"



VIVA RAILINGS, LLC  
1454 HALSEY WAY  
CARROLLTON, TX 75007  
P: 972-353-8482  
F: 972-353-0013  
e: info@vivarailings.com  
www.vivarailings.com

DESCRIPTION:  
VIVA NEW PANEL SYSTEM  
PRODUCT DATA  
-

DATE DRAWN

10/3/17

PIECE MARK

-

DRAWN BY

DD

SHEET NUMBER

M14 OF M14