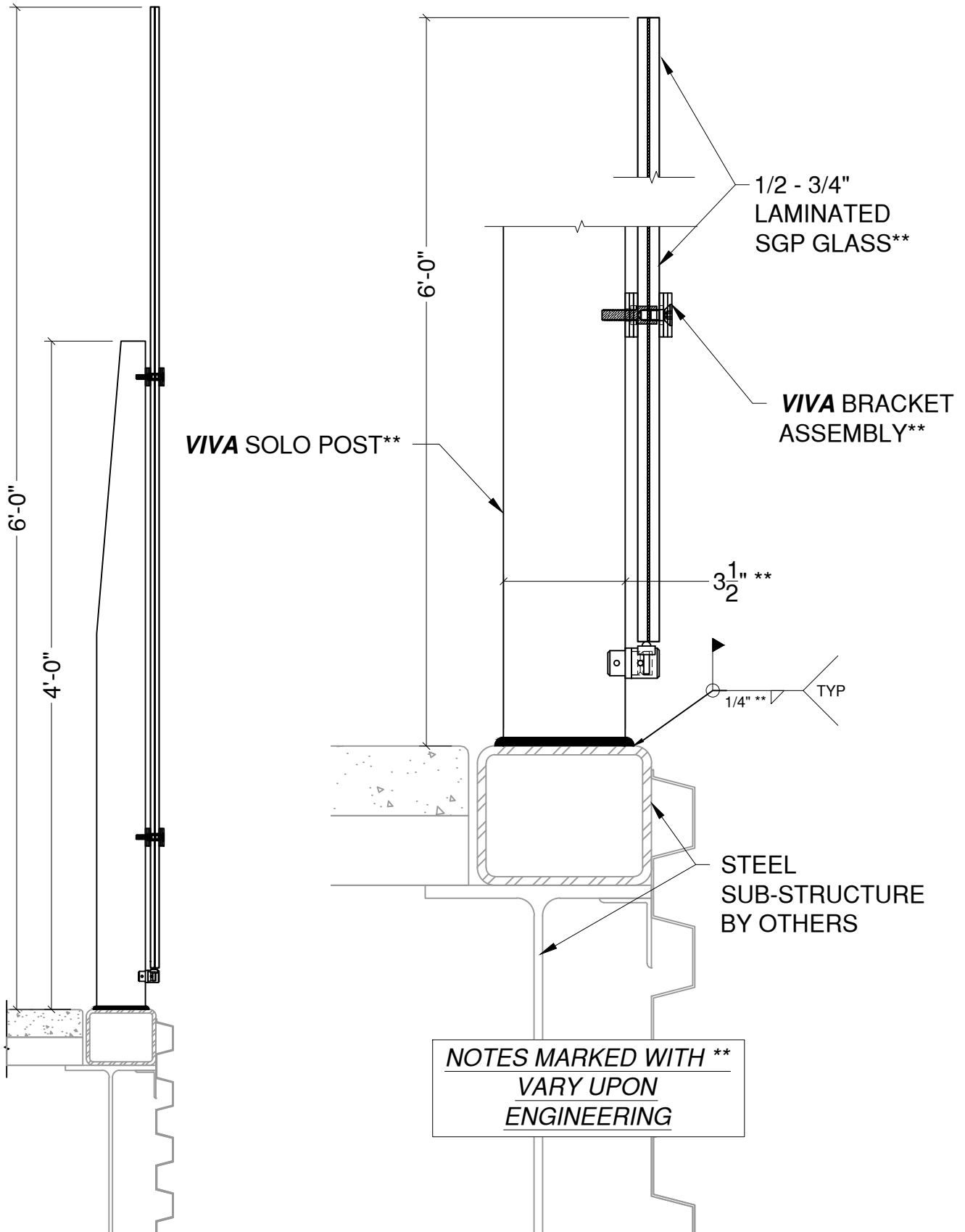


VIVA RAILINGS, LLC
 1454 HALSEY WAY
 CARROLLTON, TX 75007
 P: 972-353-8482
 F: 972-353-0013
 e: info@vivarailings.com
 www.vivarailings.com

DESCRIPTION:
 VIVA WIND WALL
 SHOE SYSTEM
 w/ 3/4" LAMI SGP GLASS

DATE DRAWN
 05/11/18
 PIECE MARK
 SHOE-WW

DRAWN BY
 JCM
 SHEET NUMBER
 1 OF 1



VIVA RAILINGS, LLC
 1454 HALSEY WAY
 CARROLLTON, TX 75007
 P: 972-353-8482
 F: 972-353-0013
 e: info@vivarailings.com
 www.vivarailings.com

DESCRIPTION:
**VIVA WIND WALL
 SOLO SYSTEM**
 w/ 1/2 - 3/4" LAMI SGP GLASS

DATE DRAWN
 05/11/18
 PIECE MARK
 SOLO-WW

DRAWN BY
 JCM
 SHEET NUMBER
 1 OF 1