

VIVA VISIO RAILING SYSTEM

1/2" GAP (NOM)

U-CAP REQUIRED
IF SYSTEM DOES NOT
HAVE A HANDRAIL

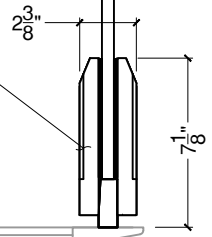
- * OPTIONAL CAPS
- 1) SS 'U' CAP
 - 2) SS Ø1 1/2" CAP
 - 3) SS Ø1 1/2" LED CAP

- 1) Ø1 1/2" OR Ø2" SS HANDRAIL
- 2) Ø2" WOOD HANDRAIL
 - CHERRY WOOD
 - RED OAK
 - WHITE OAK
 - MAPLE WOOD
- 3) Ø1 1/2" LED iRAIL

REF-M11

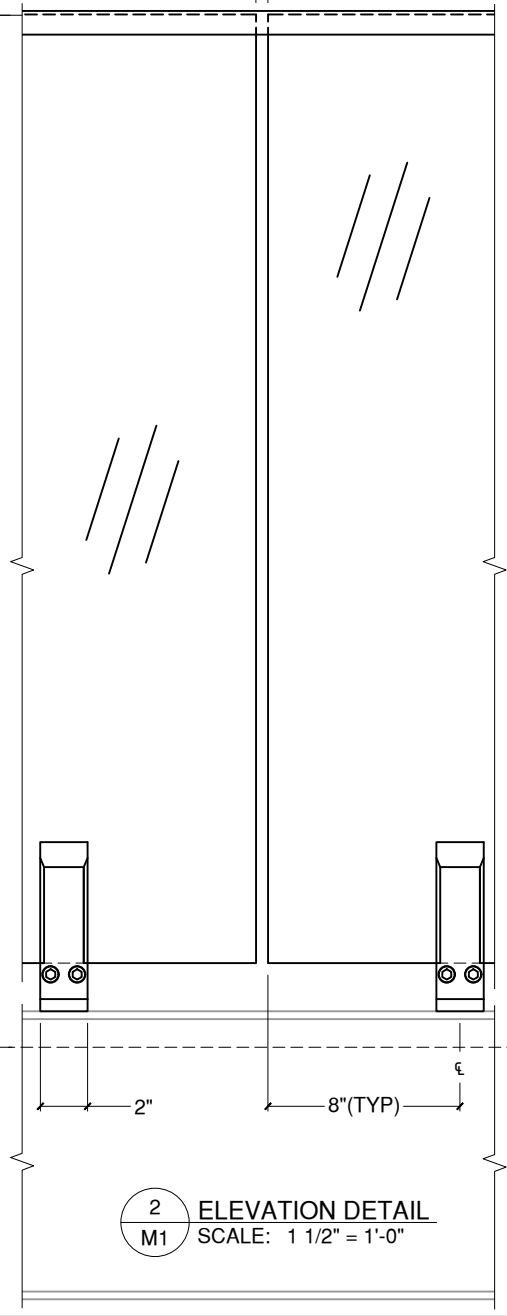
1/2" MONOLITHIC GLASS (TYP)

VIVA VISIO BRACKET



FINISH FLOOR / NOSE LINE

1 SIDE DETAIL
M1 SCALE: 1 1/2" = 1'-0"



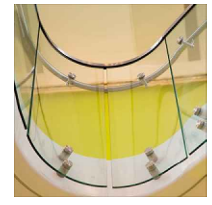
2 ELEVATION DETAIL
M1 SCALE: 1 1/2" = 1'-0"



CLEAR
MONOLITHIC



CLEAR
LAMINATED
(PVB or SGP)



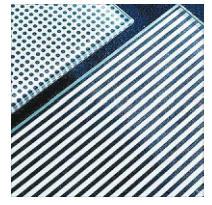
BENT



TINTED



SATIN
ETCHED



CERAMIC
FRIT



COLOR
LAMINATE
(PVB ONLY)

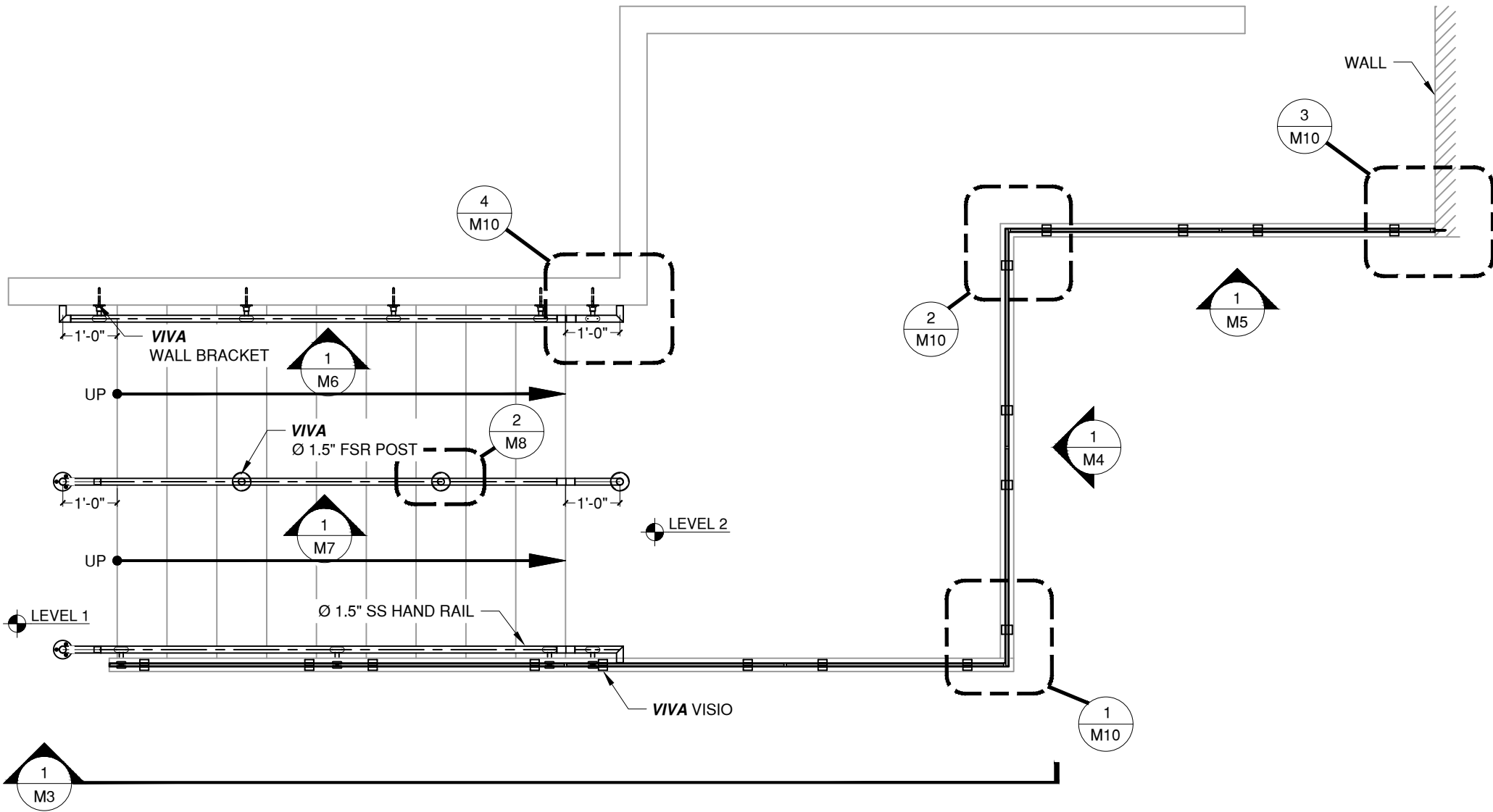


VIVA RAILINGS, LLC
1454 HALSEY WAY
CARROLLTON, TX 75007
P: 972-353-8482
F: 972-353-0013
e: info@vivarailings.com
www.vivarailings.com

DESCRIPTION:
VIVA VISIO SYSTEM
PRODUCT DATA

DRAWN BY
JCM

SHEET NUMBER
M1 OF M16



1 PLAN - STAIR 1
 M2 SCALE: 3/8" = 1'-0"

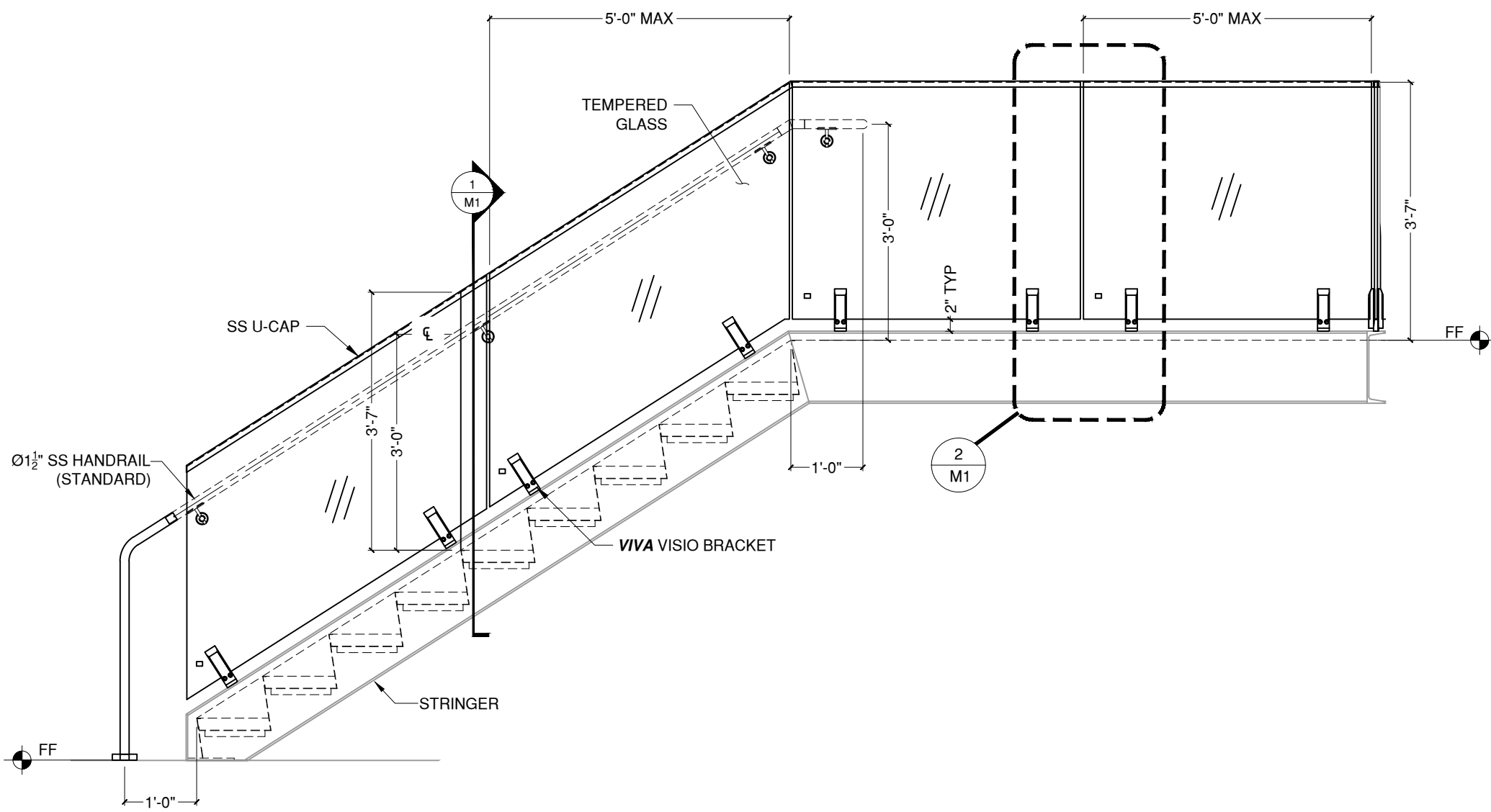


VIVA RAILINGS, LLC
 1454 HALSEY WAY
 CARROLLTON, TX 75007
 P: 972-353-8482
 F: 972-353-0013
 e: info@vivarailings.com
 www.vivarailings.com

DESCRIPTION:
 VIVA VISIO SYSTEM
 PRODUCT DATA

DRAWN BY
 JCM

SHEET NUMBER
 M2 OF M16

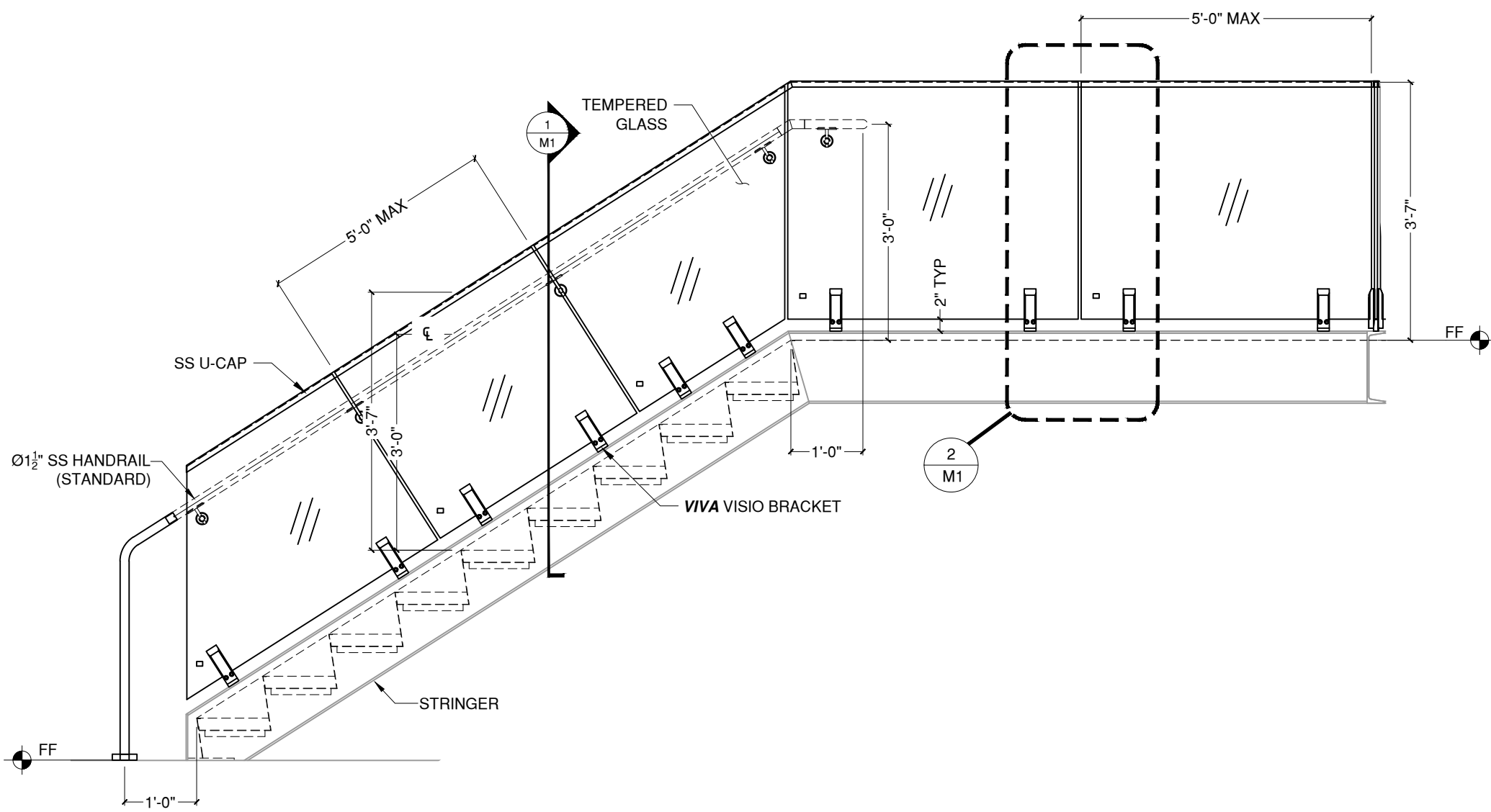


1 ELEV - STAIR 1 EXTERIOR
 M3 SCALE: 1/2" = 1'-0"

VIVA RAILINGS, LLC
 1454 HALSEY WAY
 CARROLLTON, TX 75007
 P: 972-353-8482
 F: 972-353-0013
 e: info@vivarailings.com
 www.vivarailings.com

DESCRIPTION:
VIVA VISIO SYSTEM
PRODUCT DATA
 -

DRAWN BY
JCM
 SHEET NUMBER
M3 OF M16



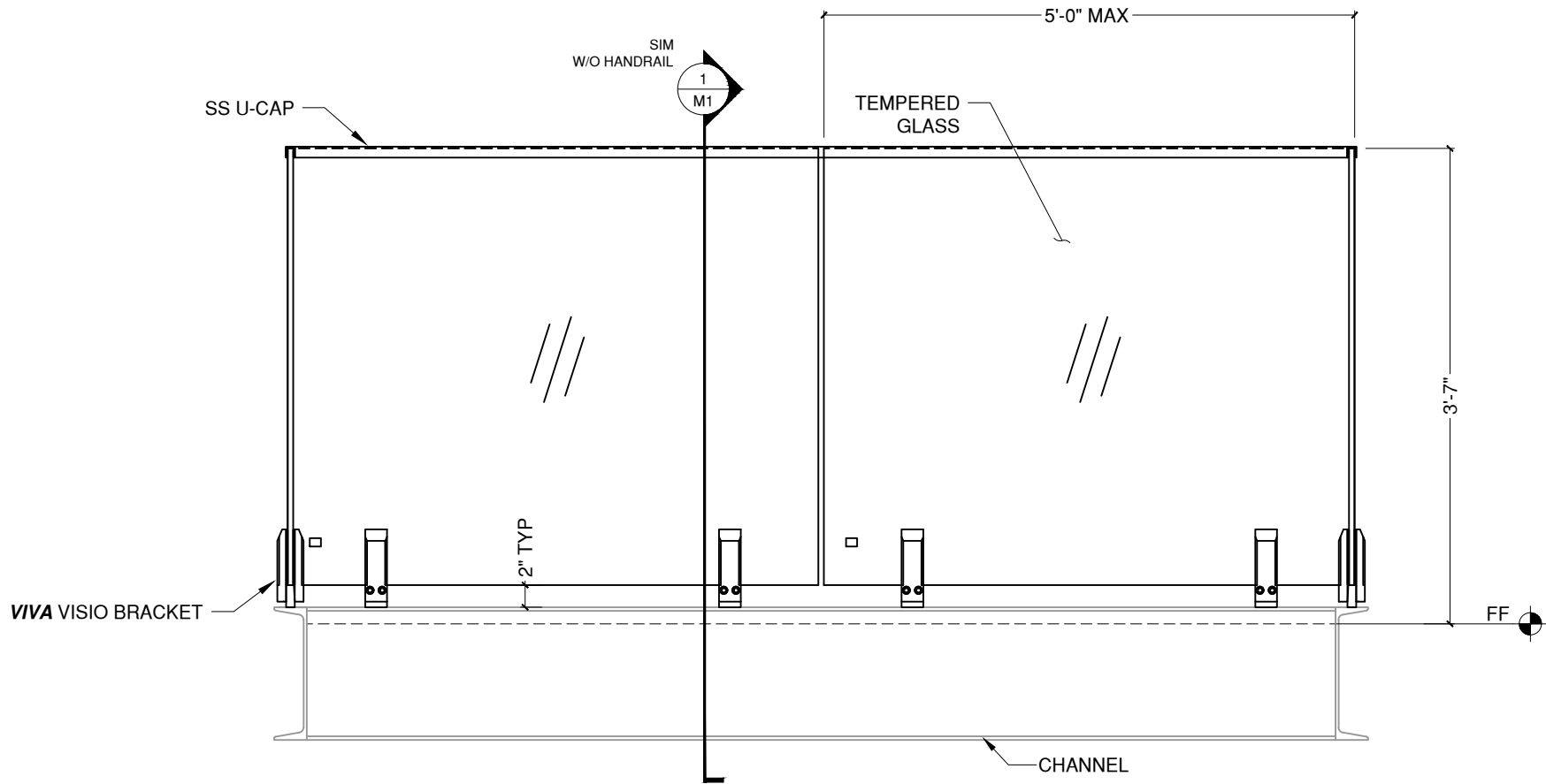
1
M4 ELEV - STAIR 1 EXTERIOR (ALTERNATIVE)
SCALE: 1/2" = 1'-0"



VIVA RAILINGS, LLC
 1454 HALSEY WAY
 CARROLLTON, TX 75007
 P: 972-353-8482
 F: 972-353-0013
 e: info@vivarailings.com
 www.vivarailings.com

DESCRIPTION:
VIVA VISIO SYSTEM
PRODUCT DATA
 -

DRAWN BY
JCM
 SHEET NUMBER
M4 OF M16



1
M5

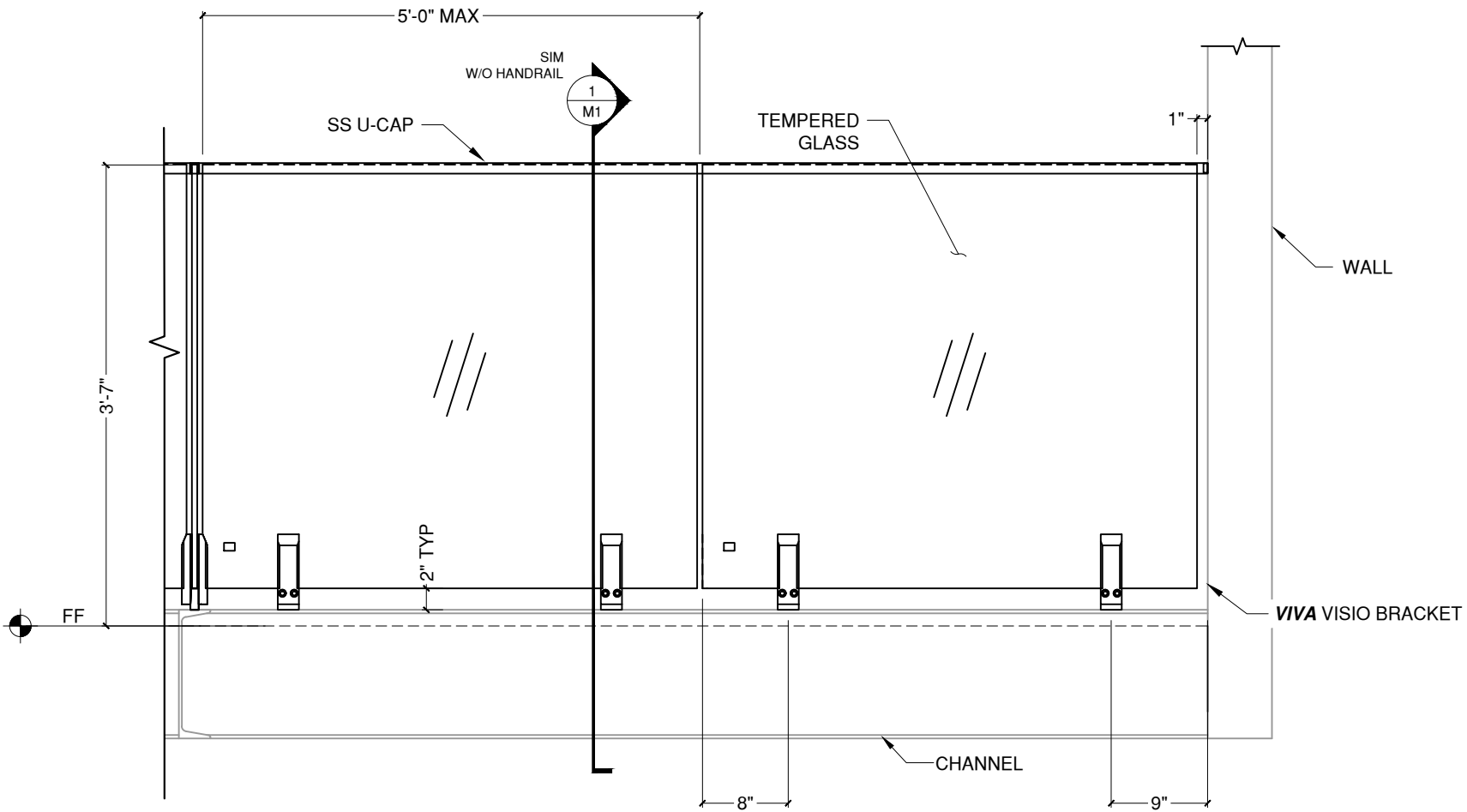
ELEV - WALKWAY 1
SCALE: 3/4" = 1'-0"



VIVA RAILINGS, LLC
1454 HALSEY WAY
CARROLLTON, TX 75007
P: 972-353-8482
F: 972-353-0013
e: info@vivarailings.com
www.vivarailings.com

DESCRIPTION:
VIVA VISIO SYSTEM
PRODUCT DATA
-

DRAWN BY
JCM
SHEET NUMBER
M5 OF M16



1
M6

ELEV - WALKWAY 2
SCALE: 3/4" = 1'-0"

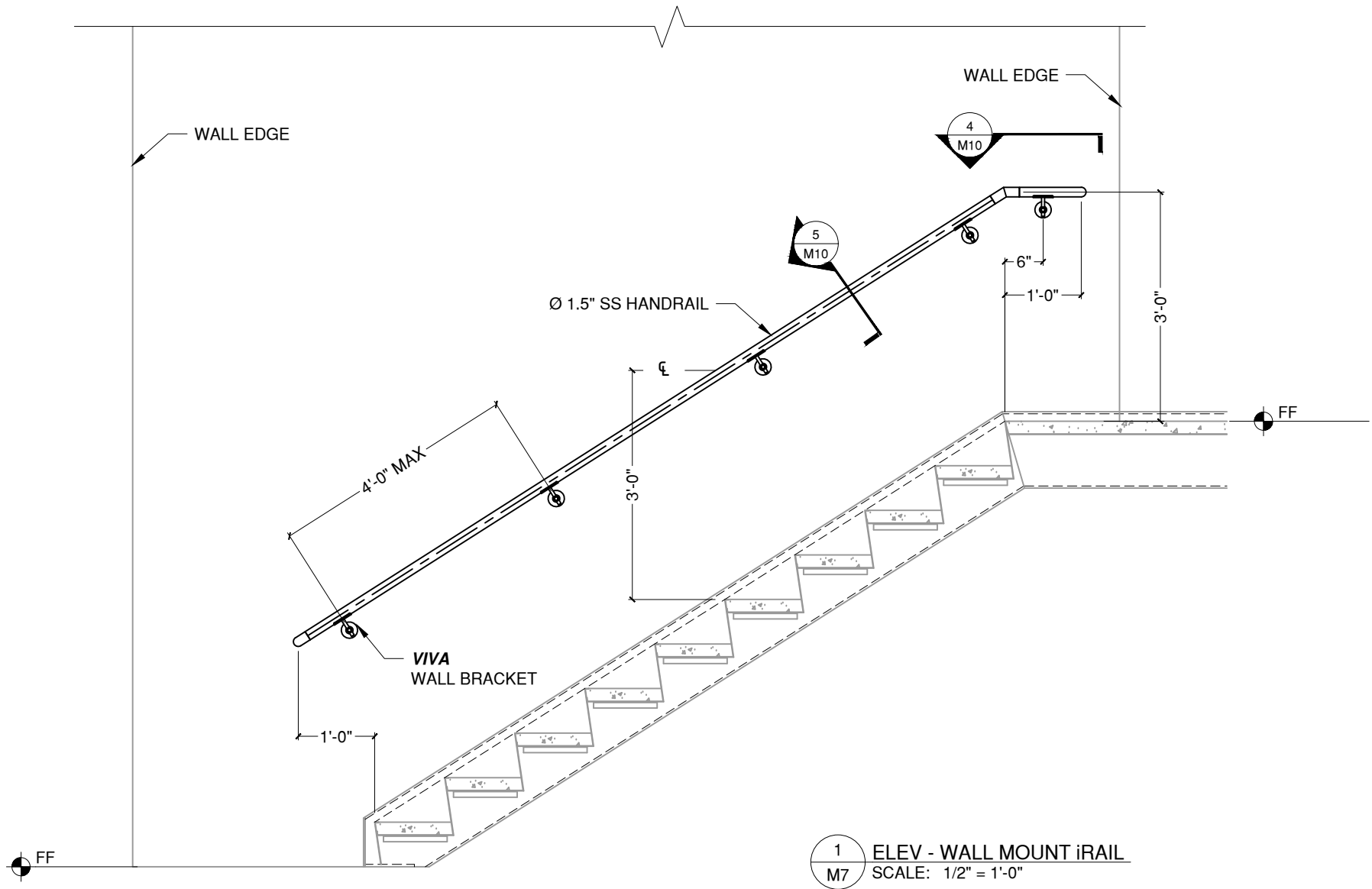


VIVA RAILINGS, LLC
1454 HALSEY WAY
CARROLLTON, TX 75007
P: 972-353-8482
F: 972-353-0013
e: info@vivarailings.com
www.vivarailings.com

DESCRIPTION:
VIVA VISIO SYSTEM
PRODUCT DATA
-

DRAWN BY
JCM

SHEET NUMBER
M6 OF M16



1
M7 ELEV - WALL MOUNT RAIL
SCALE: 1/2" = 1'-0"

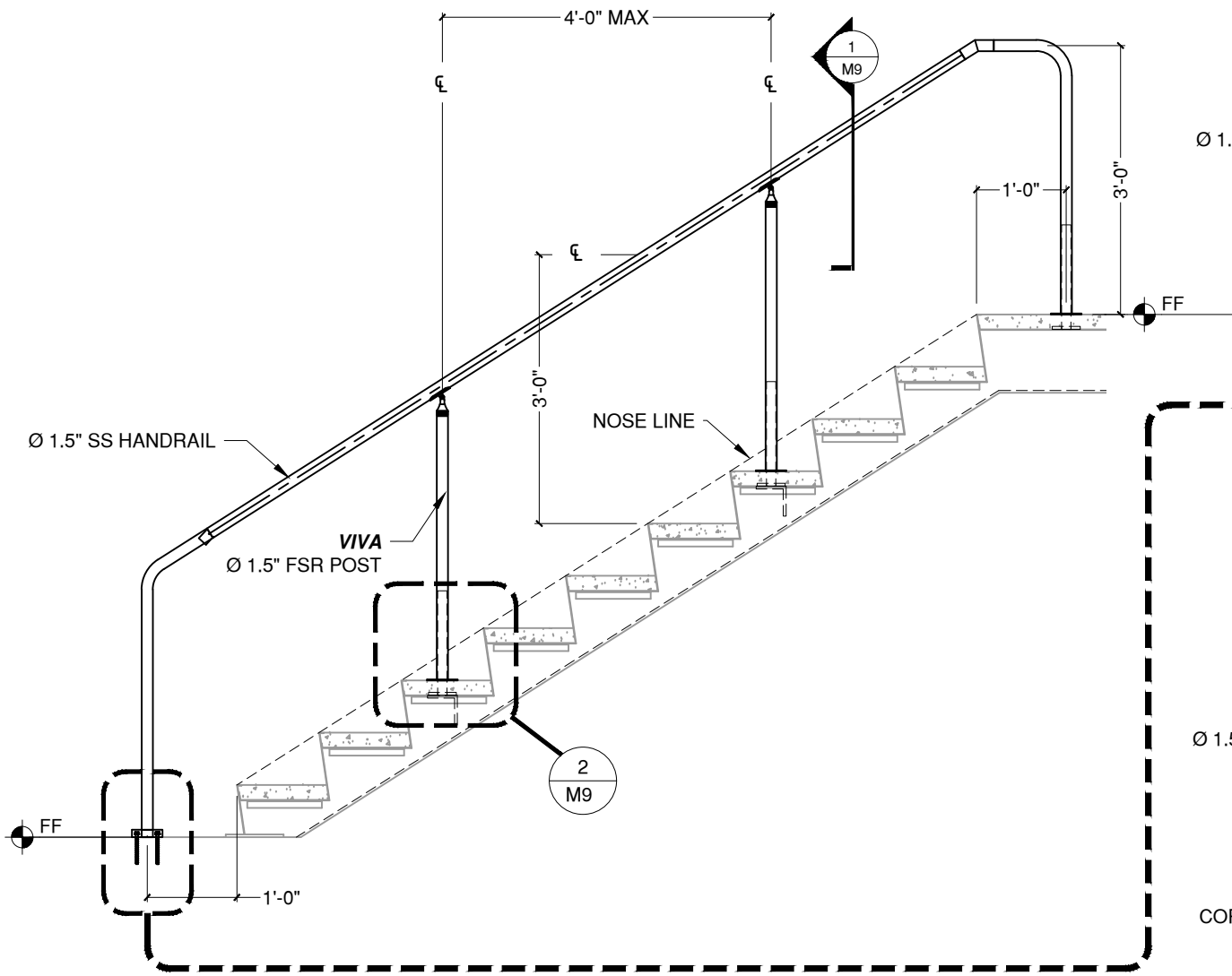


VIVA RAILINGS, LLC
 1454 HALSEY WAY
 CARROLLTON, TX 75007
 P: 972-353-8482
 F: 972-353-0013
 e: info@vivarailings.com
 www.vivarailings.com

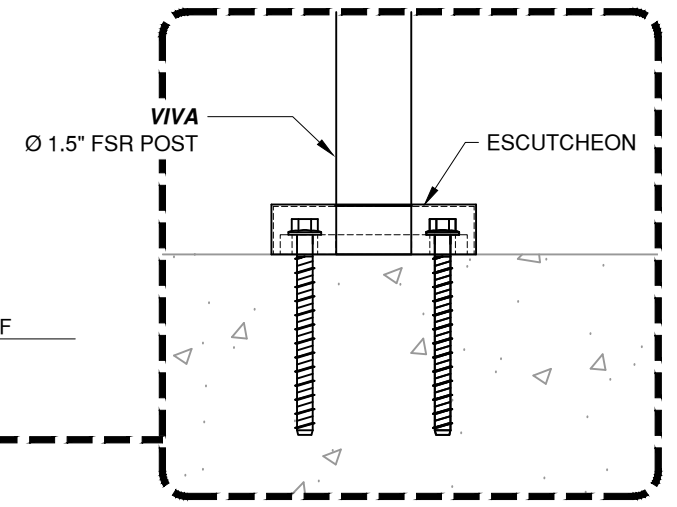
DESCRIPTION:
 VIVA VISIO SYSTEM
 PRODUCT DATA

DRAWN BY
 JCM

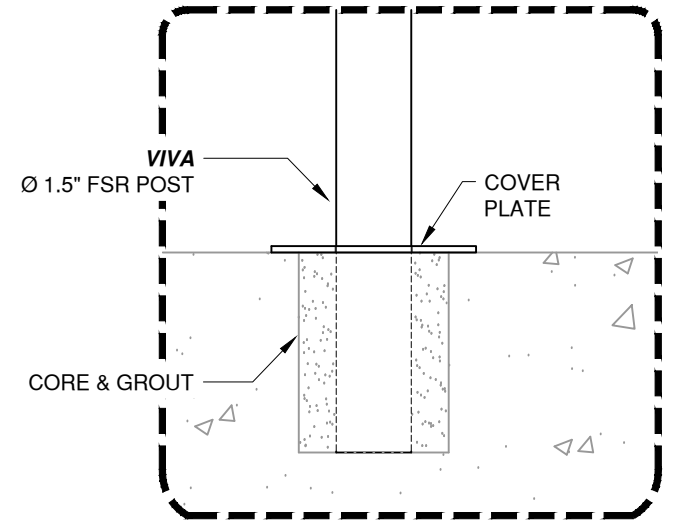
SHEET NUMBER
 M7 OF M16



1 ELEV - FREE STANDING iRAIL
M8 SCALE: 1/2" = 1'-0"



1 MOUNT OPTION - ANCHOR @ CONCRETE
SCALE: 3" = 1'-0"



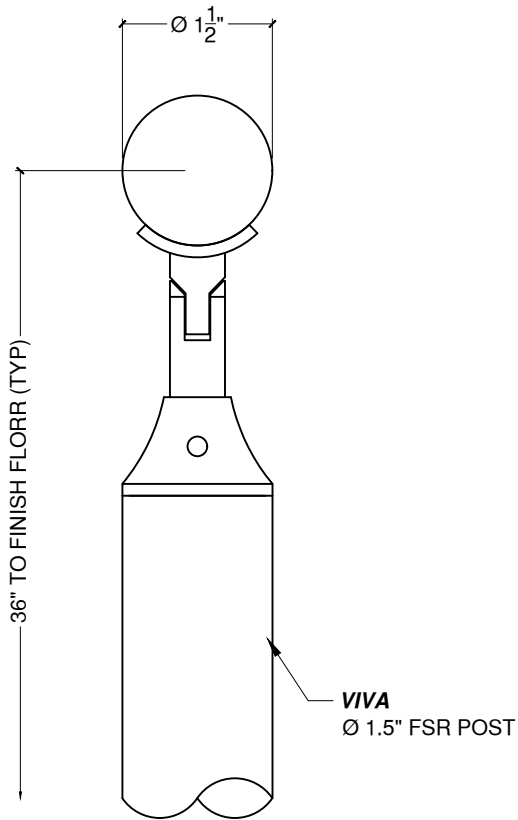
2 MOUNT OPTION - CORE @ CONCRETE
SCALE: 3" = 1'-0"



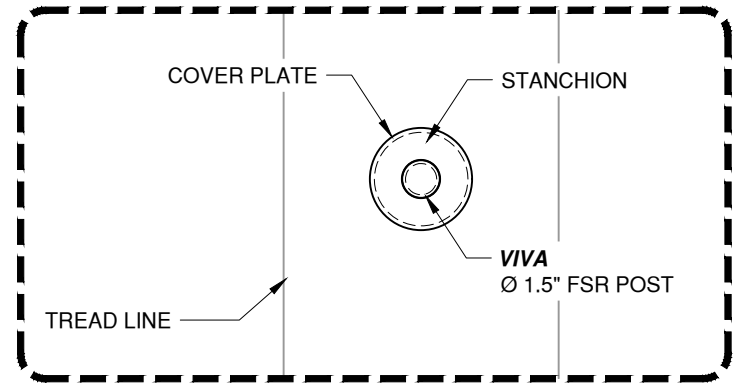
VIVA RAILINGS, LLC
1454 HALSEY WAY
CARROLLTON, TX 75007
P: 972-353-8482
F: 972-353-0013
e: info@vivarailings.com
www.vivarailings.com

DESCRIPTION:
VIVA VISIO SYSTEM
PRODUCT DATA
-

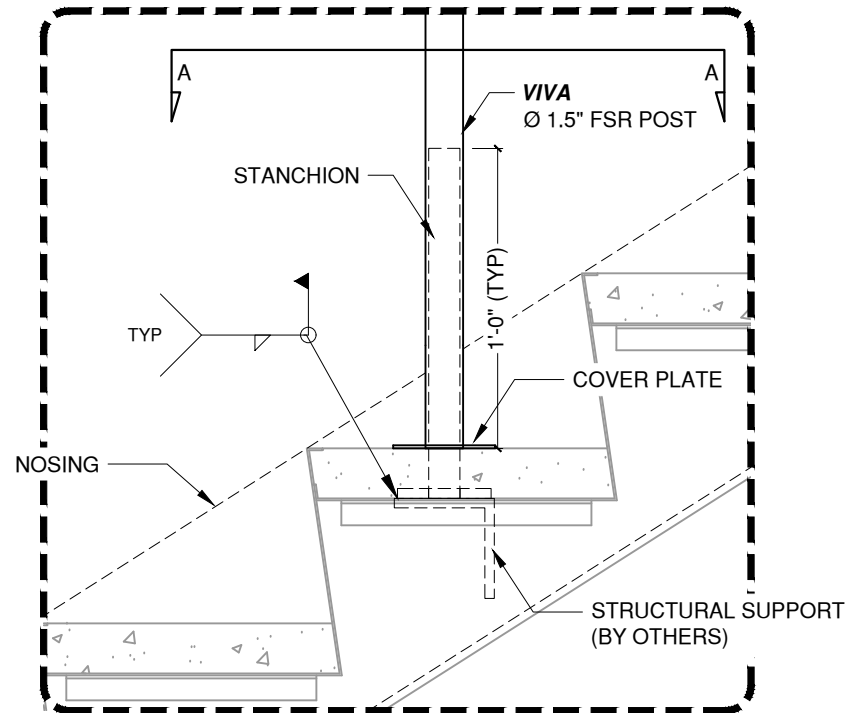
DRAWN BY
JCM
SHEET NUMBER
M8 OF M16



1 SECT - FREE STANDING iRAIL
M9 SCALE: 6" = 1'-0"



A SECTION
SCALE: 1-1/2" = 1'-0"



2 FSR STANCHION MOUNT DETAIL
M9 SCALE: 1-1/2" = 1'-0"



VIVA RAILINGS, LLC
1454 HALSEY WAY
CARROLLTON, TX 75007
P: 972-353-8482
F: 972-353-0013
e: info@vivarailings.com
www.vivarailings.com

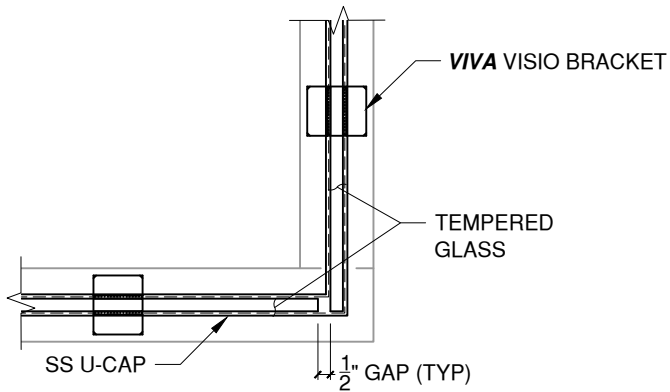
DESCRIPTION:
VIVA VISIO SYSTEM
PRODUCT DATA

-

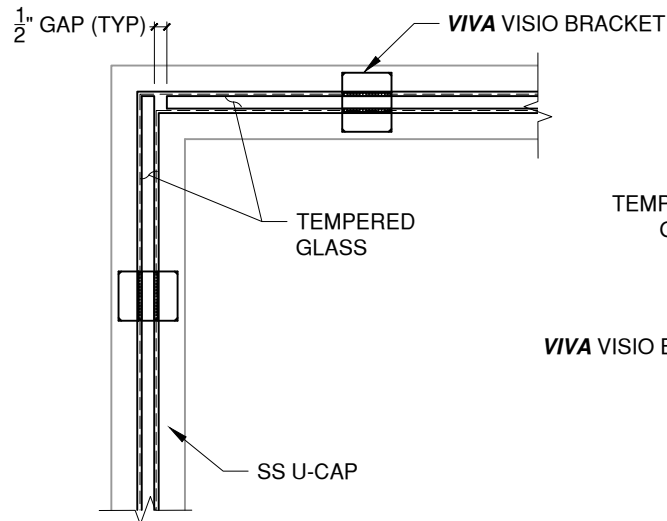
DRAWN BY
JCM

SHEET NUMBER
M9 OF M16

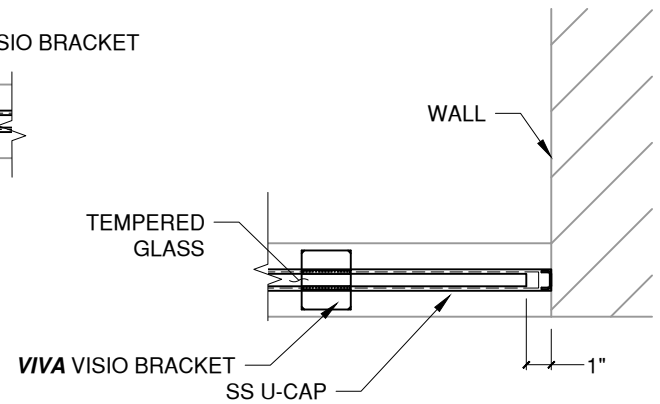
GLASS CORNER & WALL BRACKET MOUNTING DETAILS



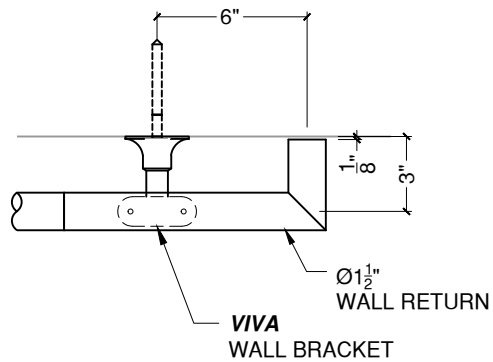
1 OUTSIDE CORNER
M10 SCALE: 1 1/2" = 1'-0"



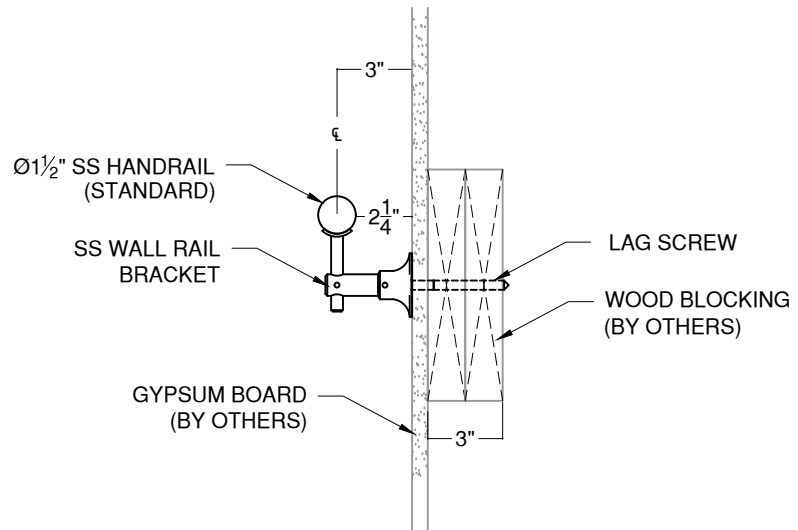
2 INSIDE CORNER
M10 SCALE: 1 1/2" = 1'-0"



3 END CONDITION
M10 SCALE: 1 1/2" = 1'-0"



4 WALL BRACKET & RETURN PLAN
M10 SCALE: 1 1/2" = 1'-0"



5 WALL BRACKET SECTION
M10 SCALE: 1 1/2" = 1'-0"



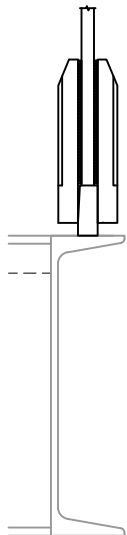
VIVA RAILINGS, LLC
1454 HALSEY WAY
CARROLLTON, TX 75007
P: 972-353-8482
F: 972-353-0013
e: info@vivarailings.com
www.vivarailings.com

DESCRIPTION:
VIVA VISIO BRACKET SYSTEM
PRODUCT DATA

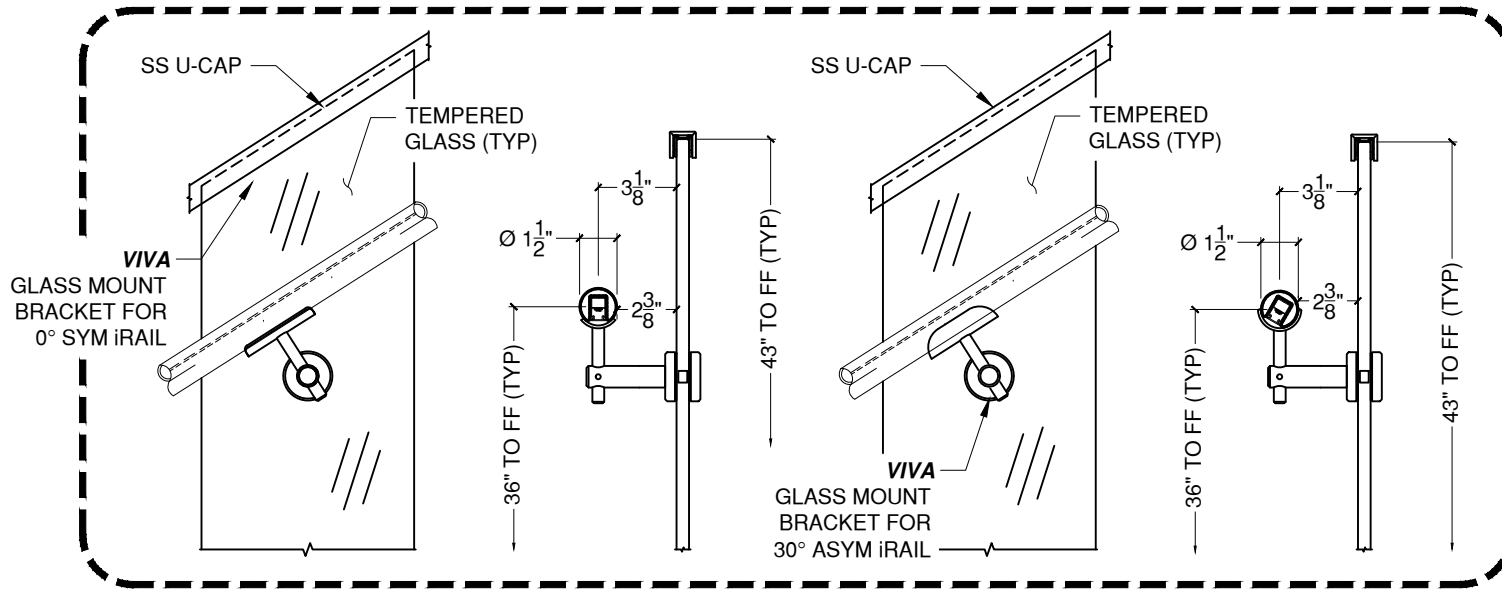
DRAWN BY
JCM

SHEET NUMBER
M10 OF M16

VIVA - VISIO iRAIL



VIVA - VISIO



1 DETAIL - STRUCTURAL GLASS
 M19 SCALE: 1-1/2" = 1'-0"

*WALL OR FLOOR WIRE FEED ENTRY REQUIRED @ RAILING TERMINAL POINT (ALL SYSTEMS)



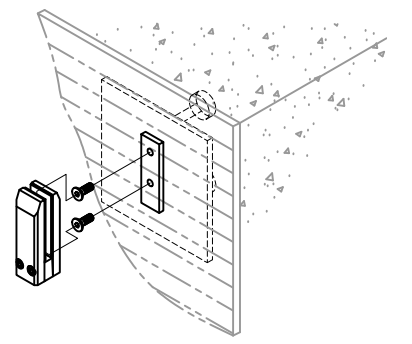
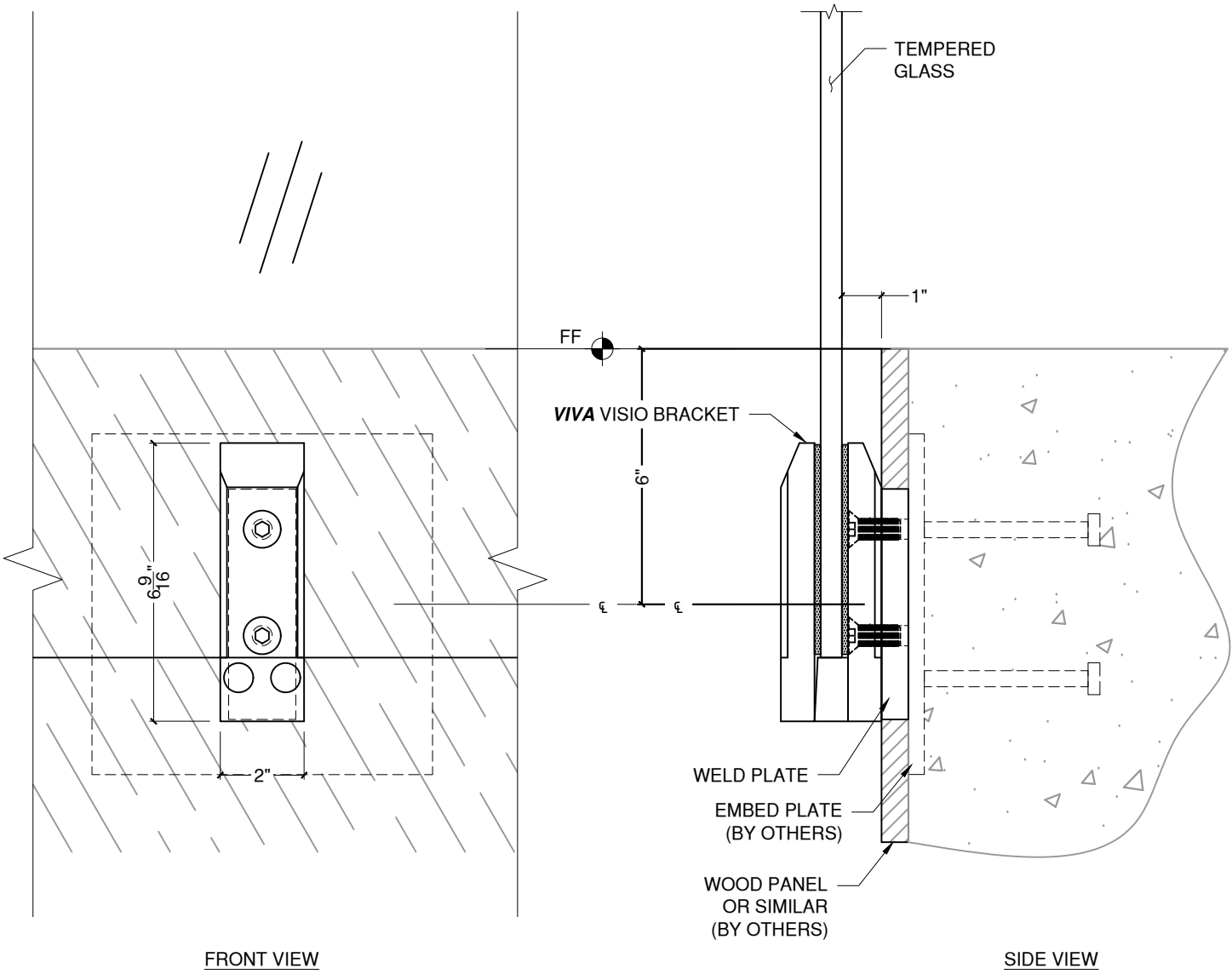
VIVA RAILINGS, LLC
 1454 HALSEY WAY
 CARROLLTON, TX 75007
 P: 972-353-8482
 F: 972-353-0013
 e: info@vivarailings.com
 www.vivarailings.com

DESCRIPTION:
VIVA VISIO SYSTEM
PRODUCT DATA

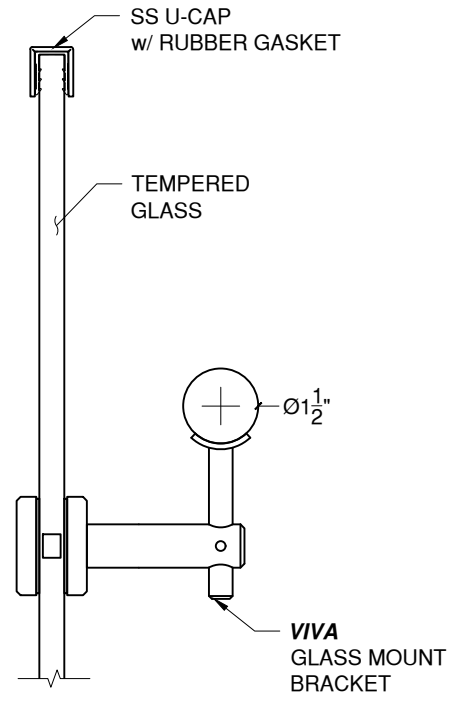
DRAWN BY
JCM

SHEET NUMBER
M11 OF M16

FASCIA MOUNTING DETAIL



ISOMETRIC



1
M12

DETAIL @ CONCRETE w/ EMBED PLATE
SCALE: 3" = 1'-0"



VIVA RAILINGS, LLC
1454 HALSEY WAY
CARROLLTON, TX 75007
P: 972-353-8482
F: 972-353-0013
e: info@vivarailings.com
www.vivarailings.com

DESCRIPTION:
VIVA VISIO SYSTEM
PRODUCT DATA
-

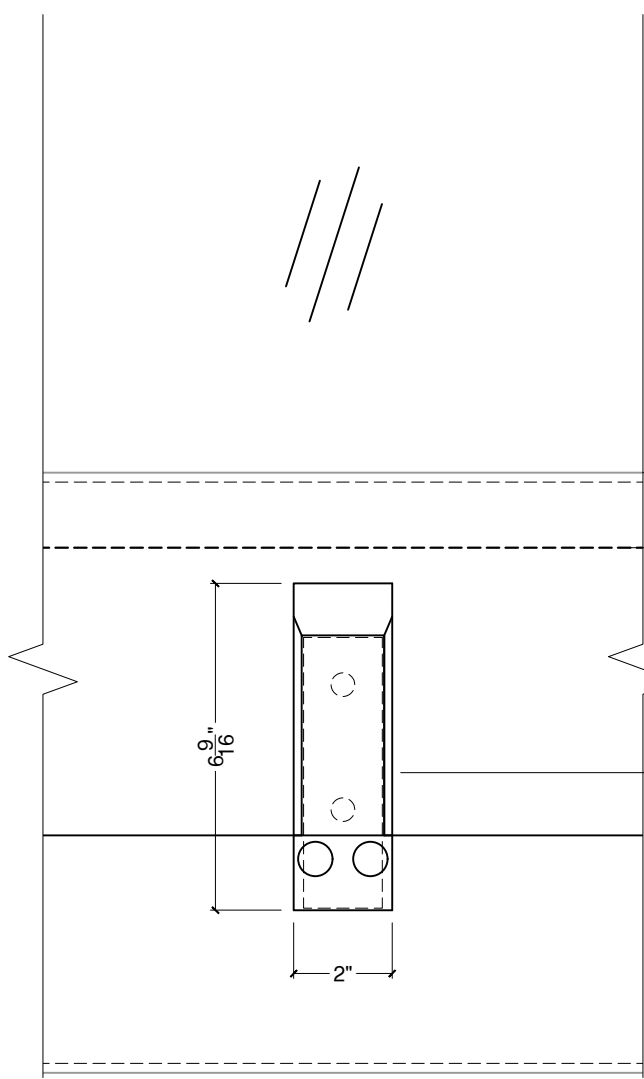
DRAWN BY
JCM

SHEET NUMBER
M12 OF M16

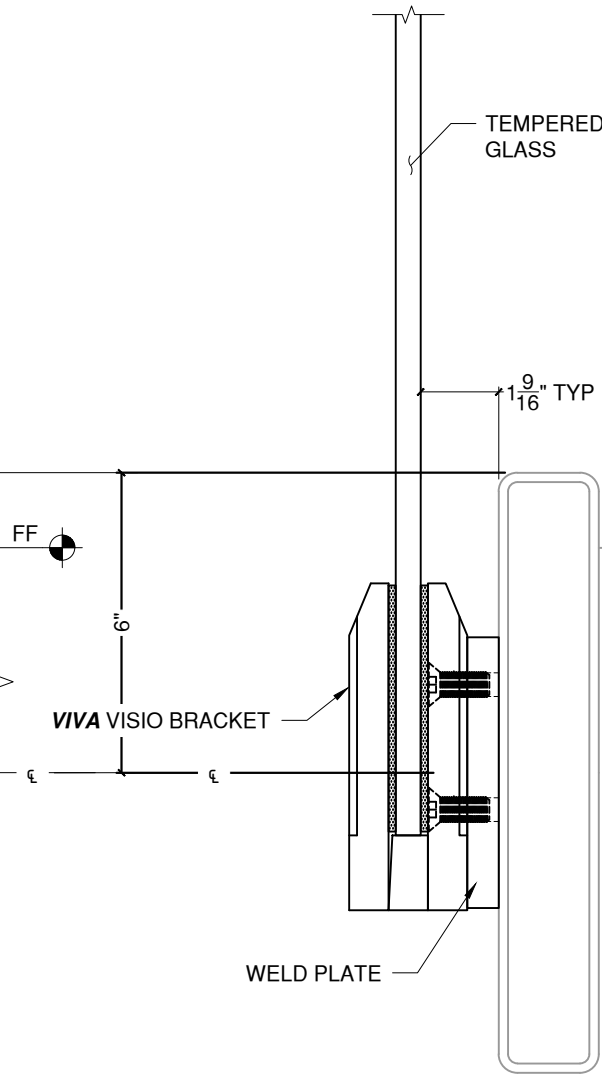
DRAWN BY
JCM

SHEET NUMBER
M12 OF M16

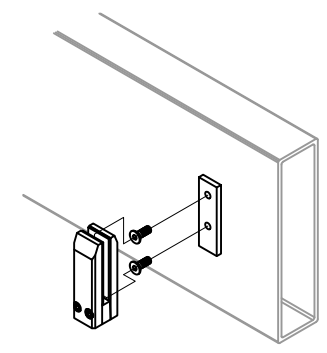
FASCIA MOUNTING DETAIL



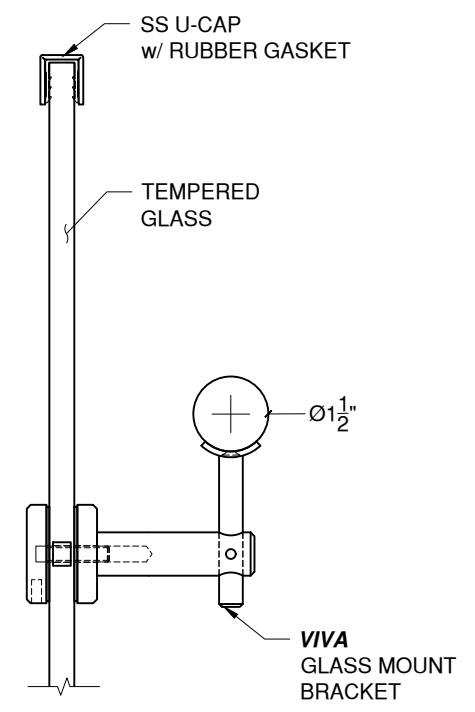
FRONT VIEW



SIDE VIEW



ISOMETRIC



1
M13
DETAIL - @ TUBE
SCALE: 3" = 1'-0"



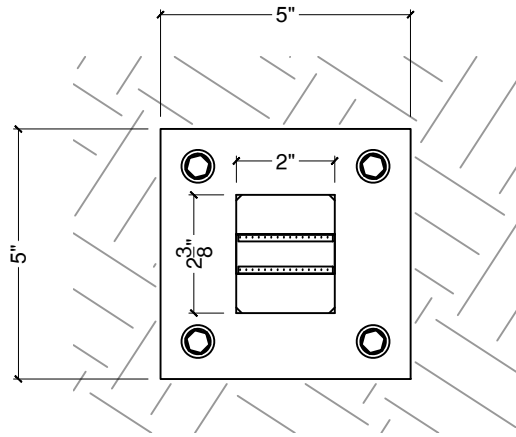
VIVA RAILINGS, LLC
1454 HALSEY WAY
CARROLLTON, TX 75007
P: 972-353-8482
F: 972-353-0013
e: info@vivarailings.com
www.vivarailings.com

DESCRIPTION:
VIVA VISIO SYSTEM
PRODUCT DATA
-

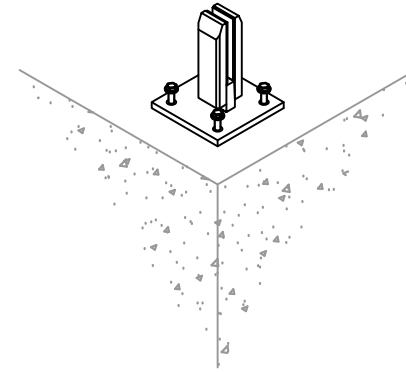
DRAWN BY
JCM
SHEET NUMBER
M13 OF M16

TOP MOUNTING DETAIL

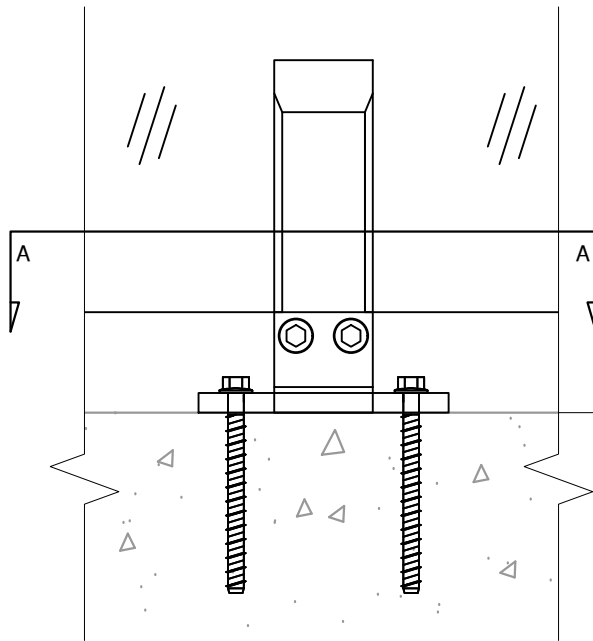
CONNECTION DESIGN BASED ON **4K** psi CONCRETE @ INTERIOR w/ 4'-0" MAX POST TO POST SPACING AND MINIMUM ANCHOR TO EDGE DISTANCE AS SHOWN.



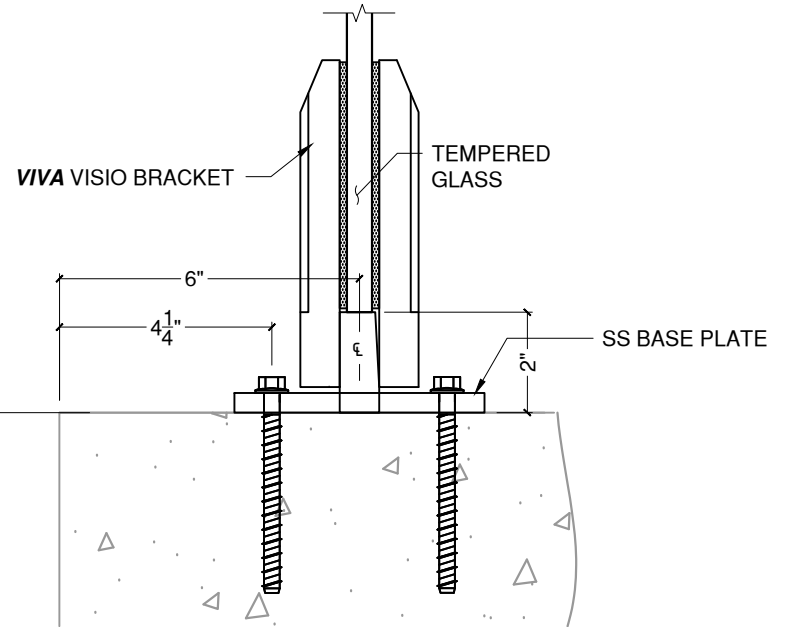
SECTION 'A-A'



ISOMETRIC



FRONT VIEW



SIDE VIEW

1
M14

DETAIL - @ CONCRETE w/ ANCHOR
SCALE: 3" = 1'-0"



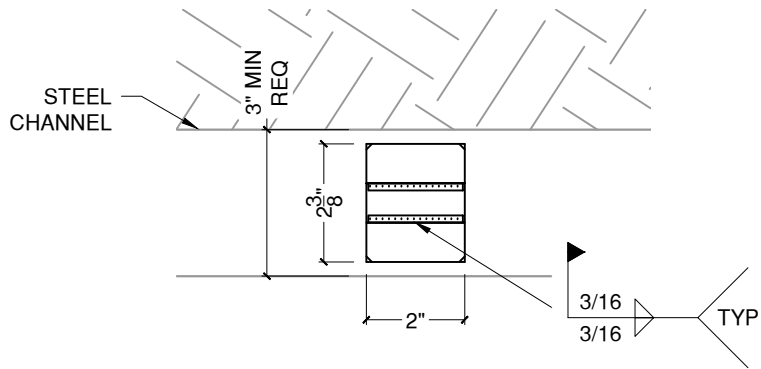
VIVA RAILINGS, LLC
1454 HALSEY WAY
CARROLLTON, TX 75007
P: 972-353-8482
F: 972-353-0013
e: info@vivarailings.com
www.vivarailings.com

DESCRIPTION:
VIVA VISIO SYSTEM
PRODUCT DATA

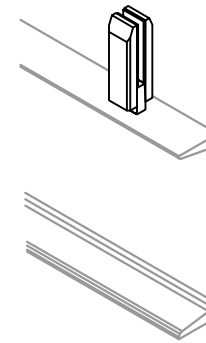
DRAWN BY
JCM

SHEET NUMBER
M14 OF M16

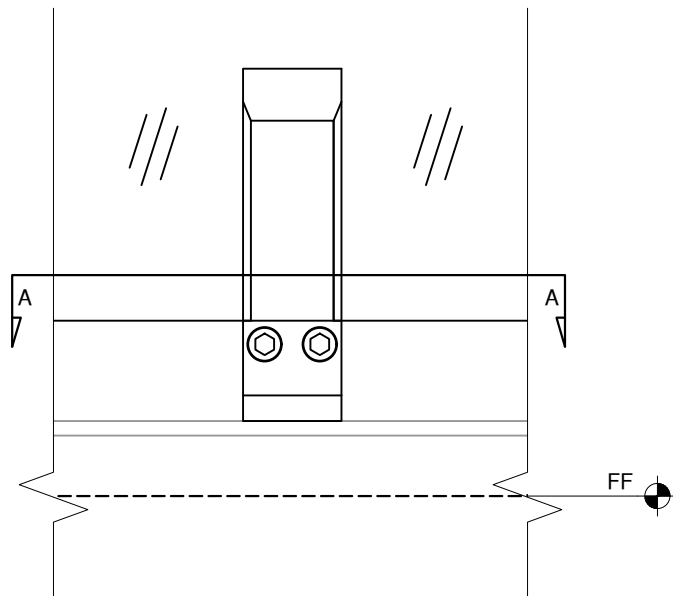
TOP MOUNTING DETAIL



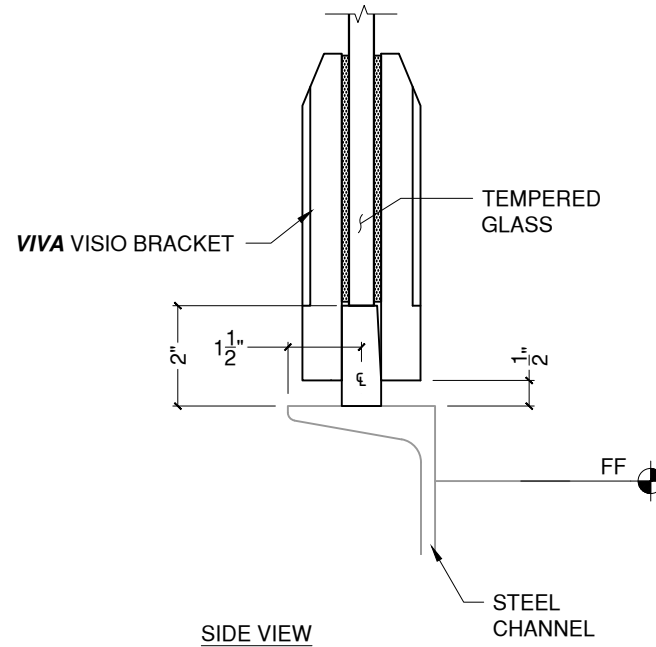
SECTION 'A-A'



ISOMETRIC



FRONT VIEW



SIDE VIEW

1
M15
DETAIL - @ STEEL w/ TOP WELD
 SCALE: 3" = 1'-0"



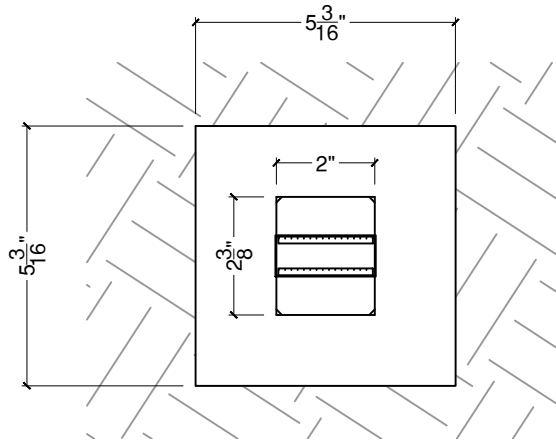
VIVA RAILINGS, LLC
 1454 HALSEY WAY
 CARROLLTON, TX 75007
 P: 972-353-8482
 F: 972-353-0013
 e: info@vivarailings.com
 www.vivarailings.com

DESCRIPTION:
VIVA VISIO SYSTEM
PRODUCT DATA

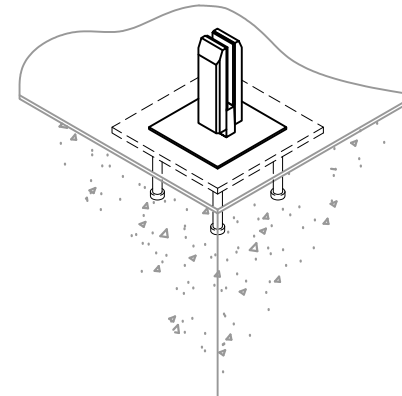
DRAWN BY
JCM

SHEET NUMBER
M15 OF M16

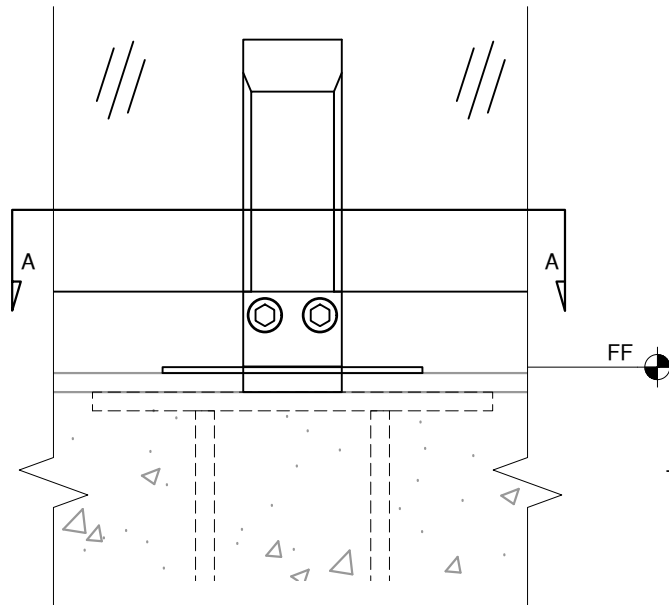
TOP MOUNTING DETAIL



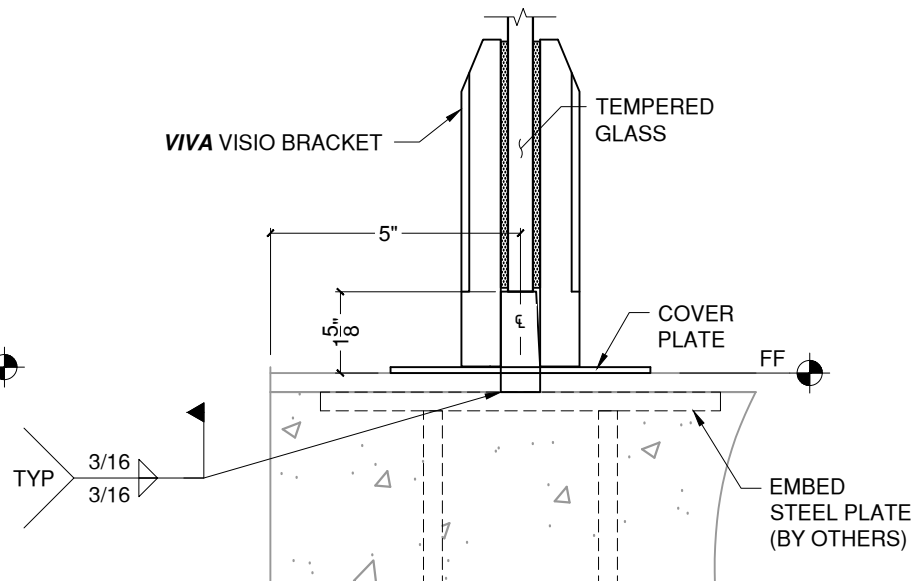
SECTION 'A-A'



ISOMETRIC



FRONT VIEW



SIDE VIEW

1
M16
DETAIL - @ EMBED STEEL w/ TOP WELD
 SCALE: 3" = 1'-0"



VIVA RAILINGS, LLC
 1454 HALSEY WAY
 CARROLLTON, TX 75007
 P: 972-353-8482
 F: 972-353-0013
 e: info@vivarailings.com
 www.vivarailings.com

DESCRIPTION:
VIVA VISIO SYSTEM
PRODUCT DATA
 -

DRAWN BY
JCM

SHEET NUMBER
M16 OF M16