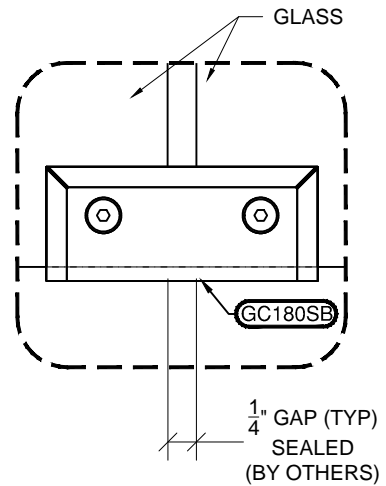


DETAIL 'A'



DETAIL 'B'



VIVA RAILINGS, LLC
 650 E HWY 121 STE. 204
 LEWISVILLE, TX 75057
 P: 972-353-8482
 F: 972-353-0013
 e: info@vivarailings.com
 www.vivarailings.com

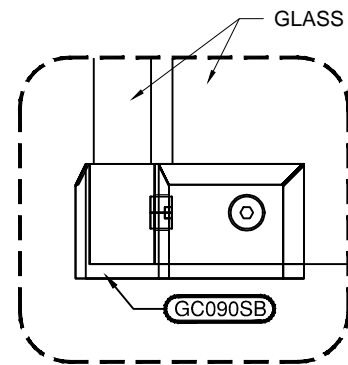
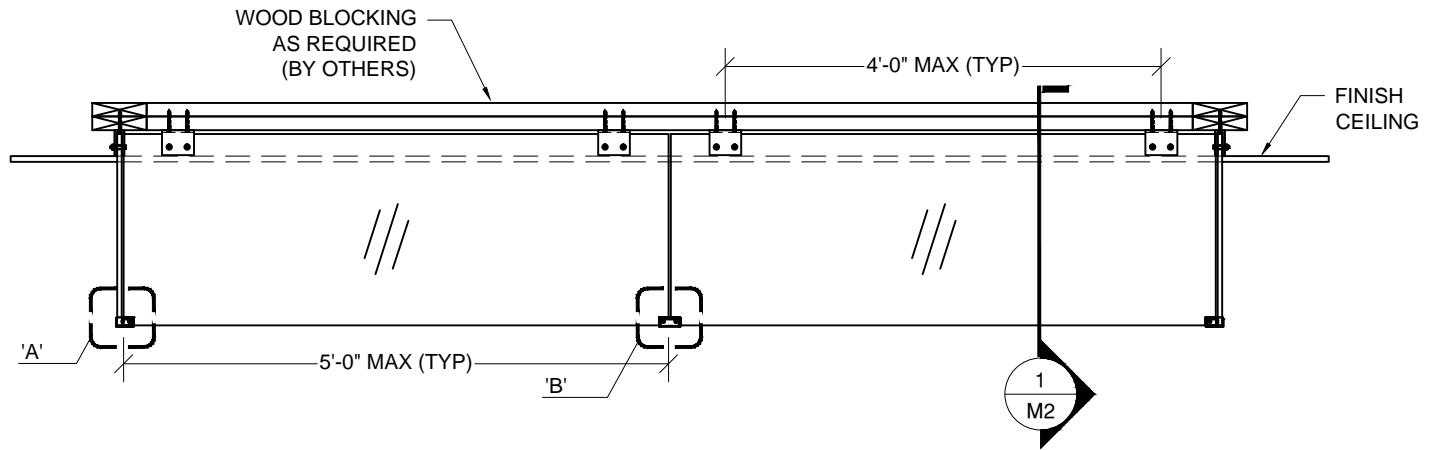
DESCRIPTION: VIVA SMOKE BAFFLE
 REINFORCED CEILING MOUNT

DATE DRAWN
 08/03/16

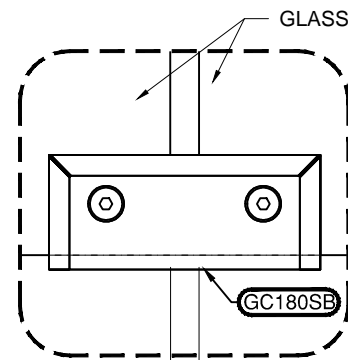
PIECE MARK
 SBS1

DRAWN BY
 JCM

SHEET NUMBER
 M1 OF M2

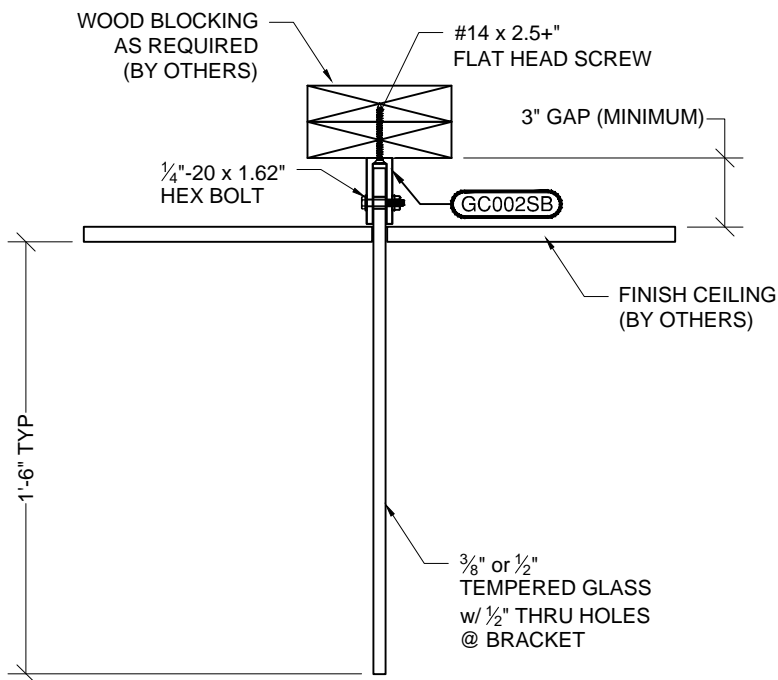


DETAIL 'A'



1/4" GAP (TYP)
SEALED
(BY OTHERS)

DETAIL 'B'



VIVA RAILINGS, LLC
650 E HWY 121 STE. 204
LEWISVILLE, TX 75057
P: 972-353-8482
F: 972-353-0013
e: info@vivarailings.com
www.vivarailings.com

DESCRIPTION: VIVA SMOKE BAFFLE
RECESSED MOUNT

DATE DRAWN
08/03/16

PIECE MARK
SBS2

DRAWN BY
JCM

SHEET NUMBER
M2 OF M2