

VIVA RAILINGS, LLC
1454 HALSEY WAY
CARROLLTON, TX 75007
P: 972-353-8482
F: 972-353-0013
e: info@vivarailings.com
www.vivarailings.com

DESCRIPTION: PRODUCT DATA
VIVA TEE ELEVATION DETAIL

DATE DRAWN

—

PIECE MARK

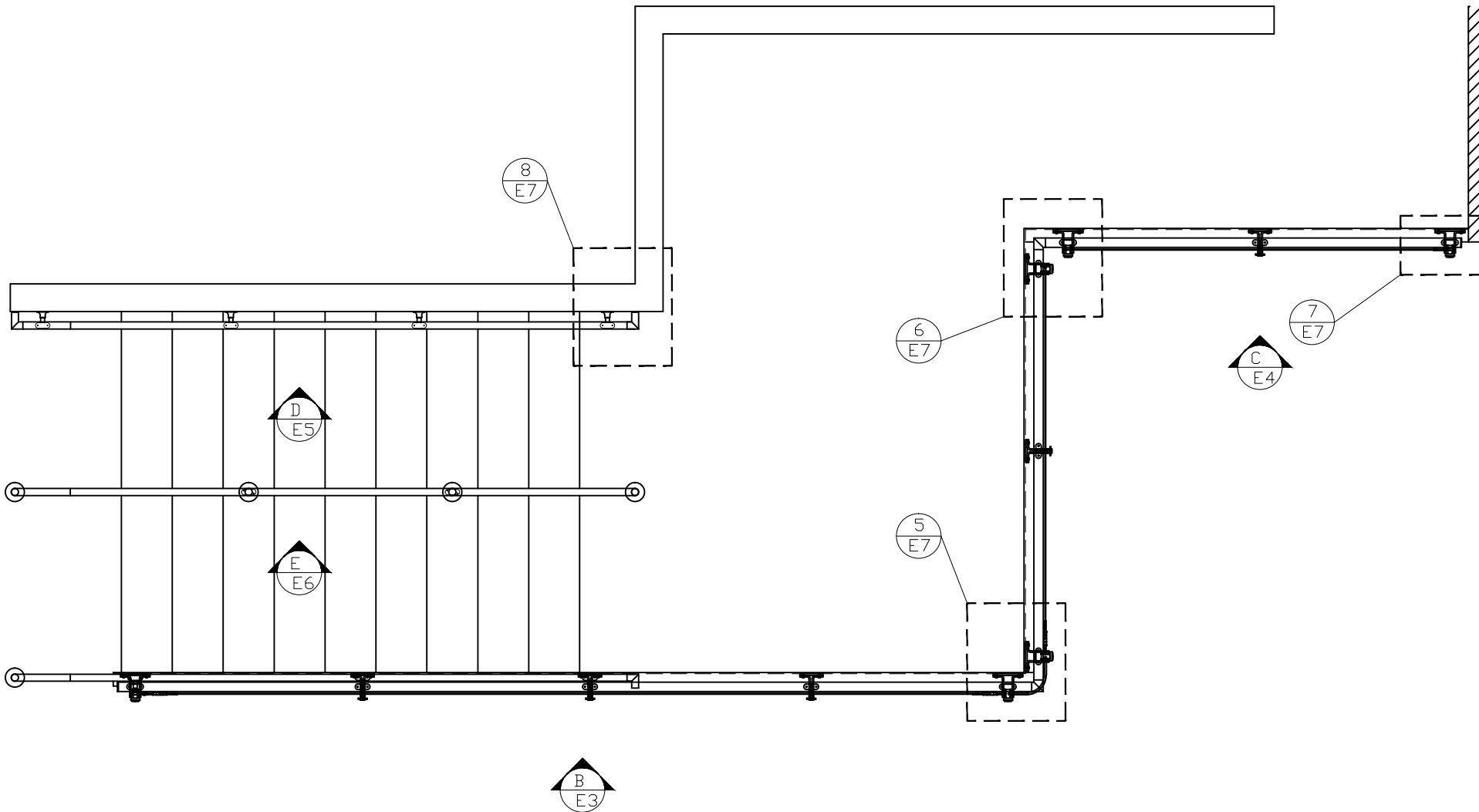
—

DRAWN BY

BB

SHEET NUMBER

E1 OF E11



A PLAN VIEW
E2 SCALE: 3/8" = 1'



VIVA RAILINGS, LLC
 1454 HALSEY WAY
 CARROLLTON, TX 75007
 P: 972-353-8482
 F: 972-353-0013
 e: info@vivarailings.com
 www.vivarailings.com

DESCRIPTION: PRODUCT DATA
 VIVA TEE PLAN VIEW

DATE DRAWN	—
PIECE MARK	—

DRAWN BY	BB
SHEET NUMBER	E2 OF E11

2"Ø SS GUARDRAIL IN
STAINLESS STEEL FINISH #6

1½"Ø SS HANDRAIL
STAINLESS STEEL FINISH #6

¾"Ø CABLE LINE

CF102DA THREADED EYE
TENSIONER SET

CF101DA THREADED
TENSIONER SET

"C" STRINGER

NOTE: WOOD TOPRAIL
NOT AVAILABLE WITH
CABLE SYSTEM

B STAIR CABLE ELEVATION
E3 SCALE: 1/2" = 1'

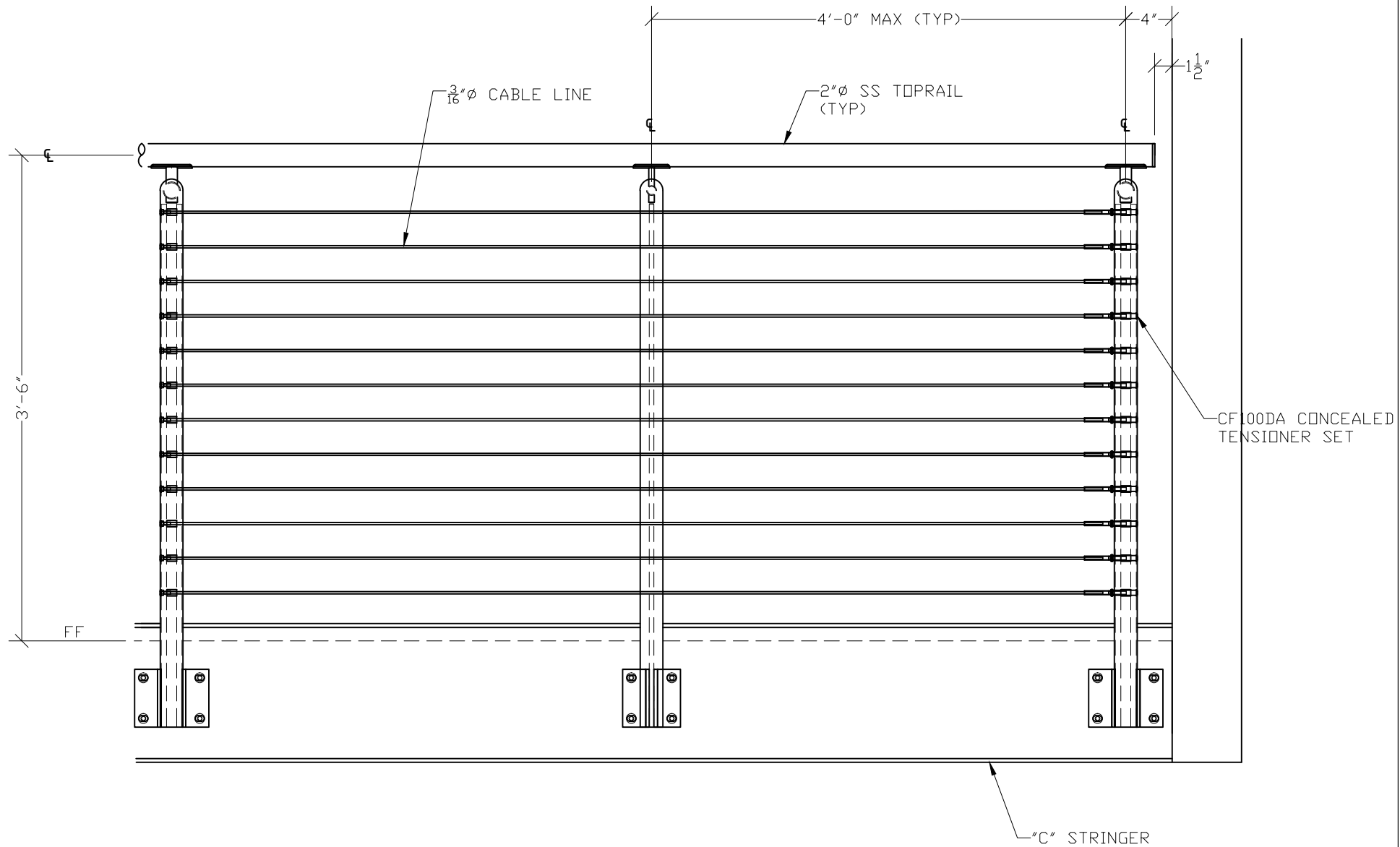


VIVA RAILINGS, LLC
1454 HALSEY WAY
CARROLLTON, TX 75007
P: 972-353-8482
F: 972-353-0013
e: info@vivarailings.com
www.vivarailings.com

DESCRIPTION: PRODUCT DATA
VIVA TEE STAIR ELEVATION

DATE DRAWN
—
PIECE MARK
—

DRAWN BY
BB
SHEET NUMBER
E3 OF E11



C GLASS ELEVATION
E4 SCALE:

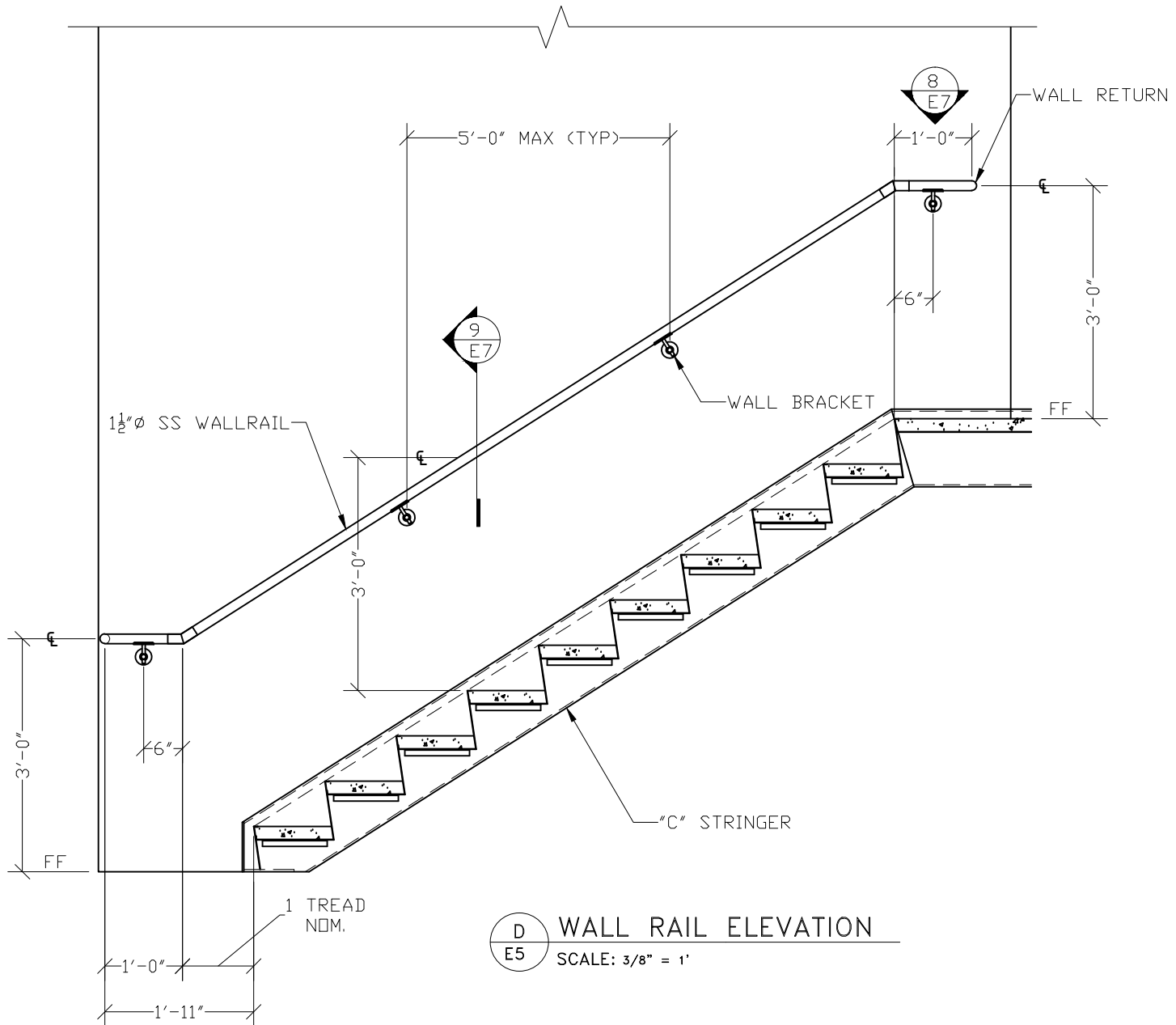


VIVA RAILINGS, LLC
 1454 HALSEY WAY
 CARROLLTON, TX 75007
 P: 972-353-8482
 F: 972-353-0013
 e: info@vivarailings.com
 www.vivarailings.com

DESCRIPTION: PRODUCT DATA
 VIVA TEE ELEVATION

DATE DRAWN	—
PIECE MARK	—

DRAWN BY	BB
SHEET NUMBER	E4 OF E11



VIVA RAILINGS, LLC
 1454 HALSEY WAY
 CARROLLTON, TX 75007
 P: 972-353-8482
 F: 972-353-0013
 e: info@vivarailings.com
 www.vivarailings.com

DESCRIPTION: PRODUCT DATA
 VIVA WALL RAIL ELEVATION

DATE DRAWN

—

PIECE MARK

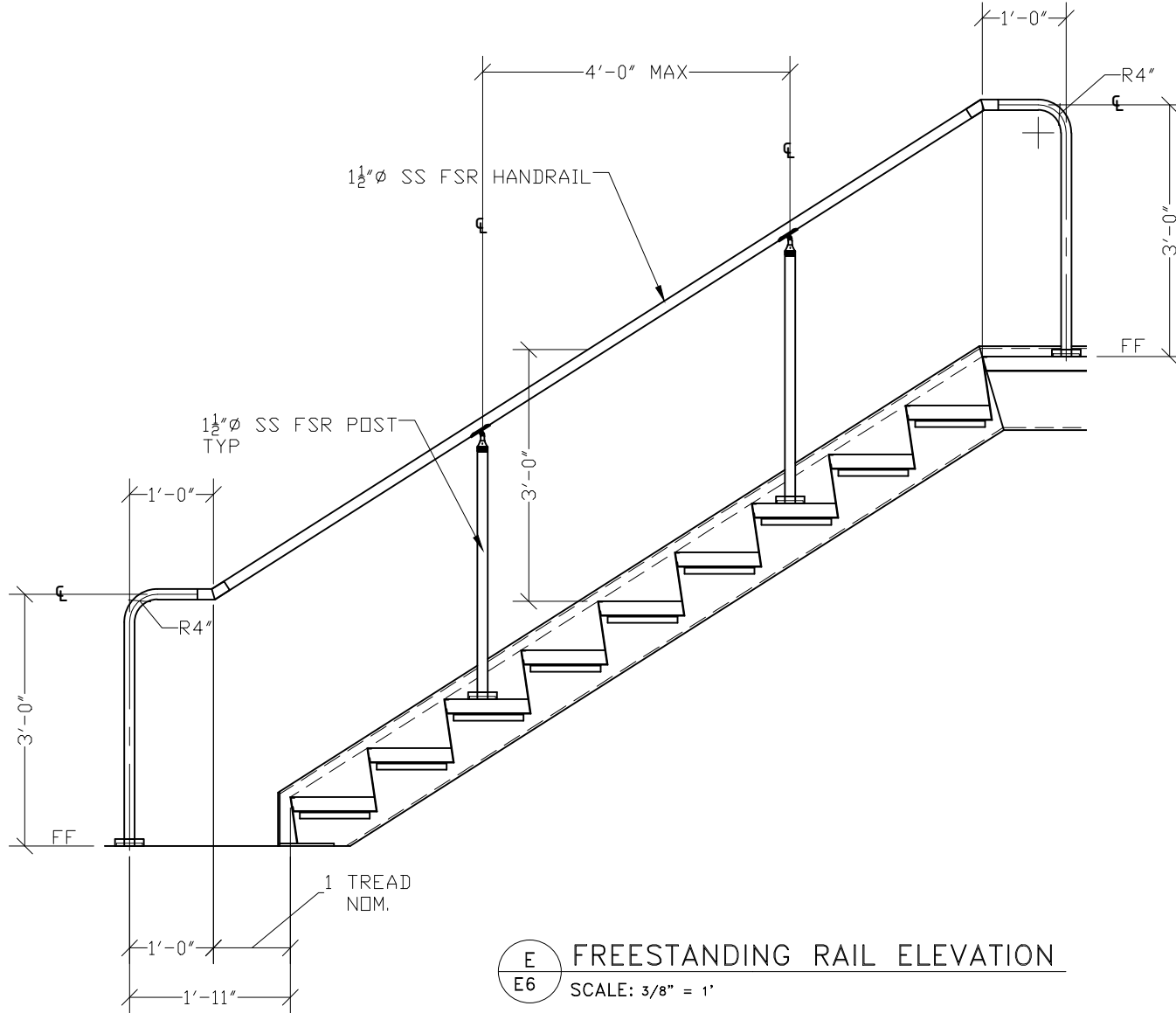
—

DRAWN BY

BB

SHEET NUMBER

E5 OF E11



E FREESTANDING RAIL ELEVATION
E6 SCALE: 3/8" = 1'



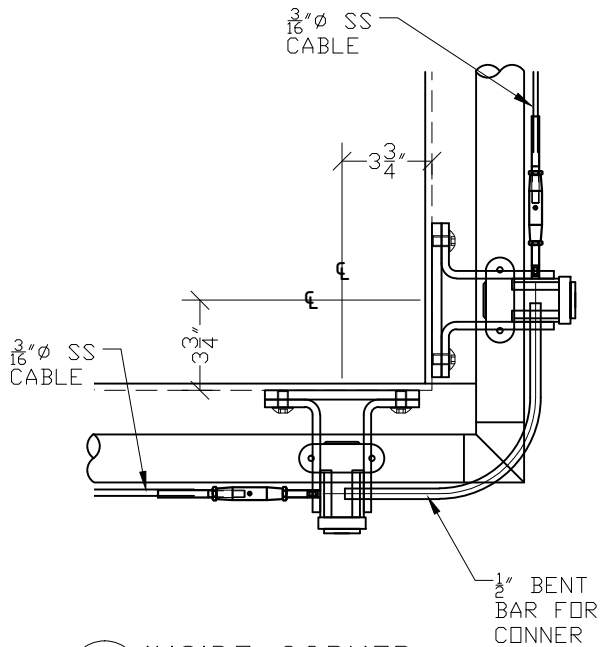
VIVA RAILINGS, LLC
 1454 HALSEY WAY
 CARROLLTON, TX 75007
 P: 972-353-8482
 F: 972-353-0013
 e: info@vivarailings.com
 www.vivarailings.com

DESCRIPTION: PRODUCT DATA
 VIVA FREESTANDING RAIL ELEVATION
 —
 —

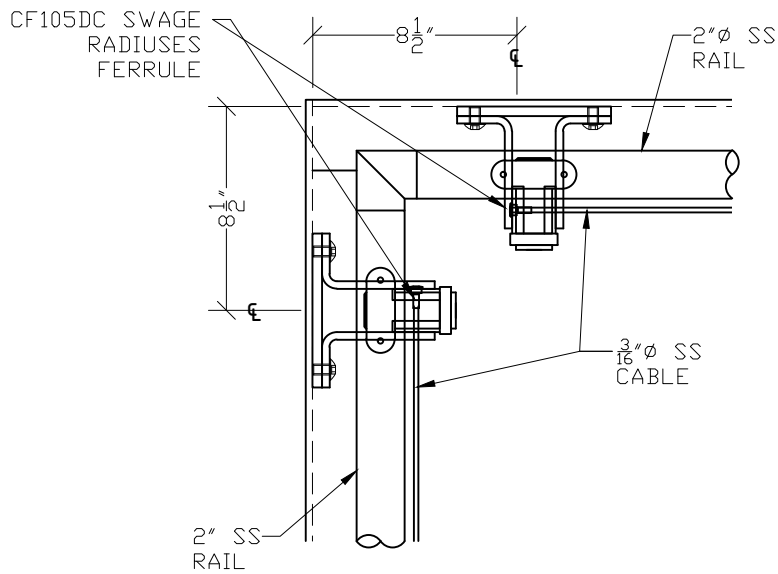
DATE DRAWN
 —
 PIECE MARK
 —

DRAWN BY
 BB
 SHEET NUMBER
 E6 OF E11

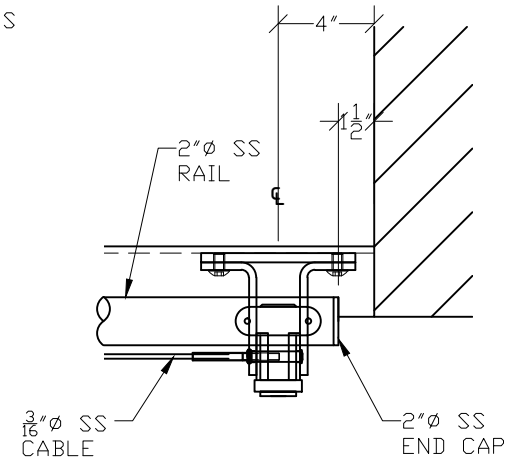
GLASS CORNER DETAILS



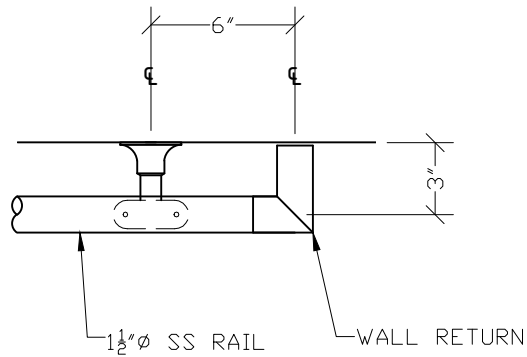
5 INSIDE CORNER
E7 SCALE: 1 1/2" = 1'



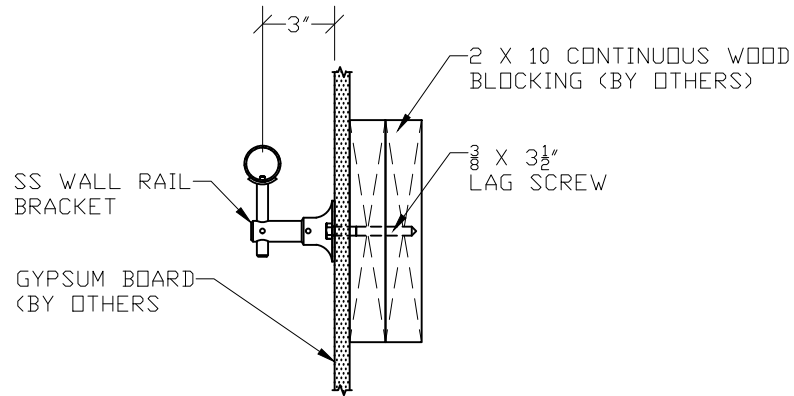
6 OUTSIDE CORNER
E7 SCALE: 1 1/2" = 1'



7 END CONDITION
E7 SCALE: 1 1/2" = 1'



8 WALL BRACKET & RETURN PLAN
E7 SCALE: 1 1/2" = 1'



9 WALL BRACKET SECTION
E7 SCALE: 1 1/2" = 1'



VIVA RAILINGS, LLC
1454 HALSEY WAY
CARROLLTON, TX 75007
P: 972-353-8482
F: 972-353-0013
e: info@vivarailings.com
www.vivarailings.com

DESCRIPTION: PRODUCT DATA
VIVA TEE PLAN DETAIL

DATE DRAWN

—

PIECE MARK

—

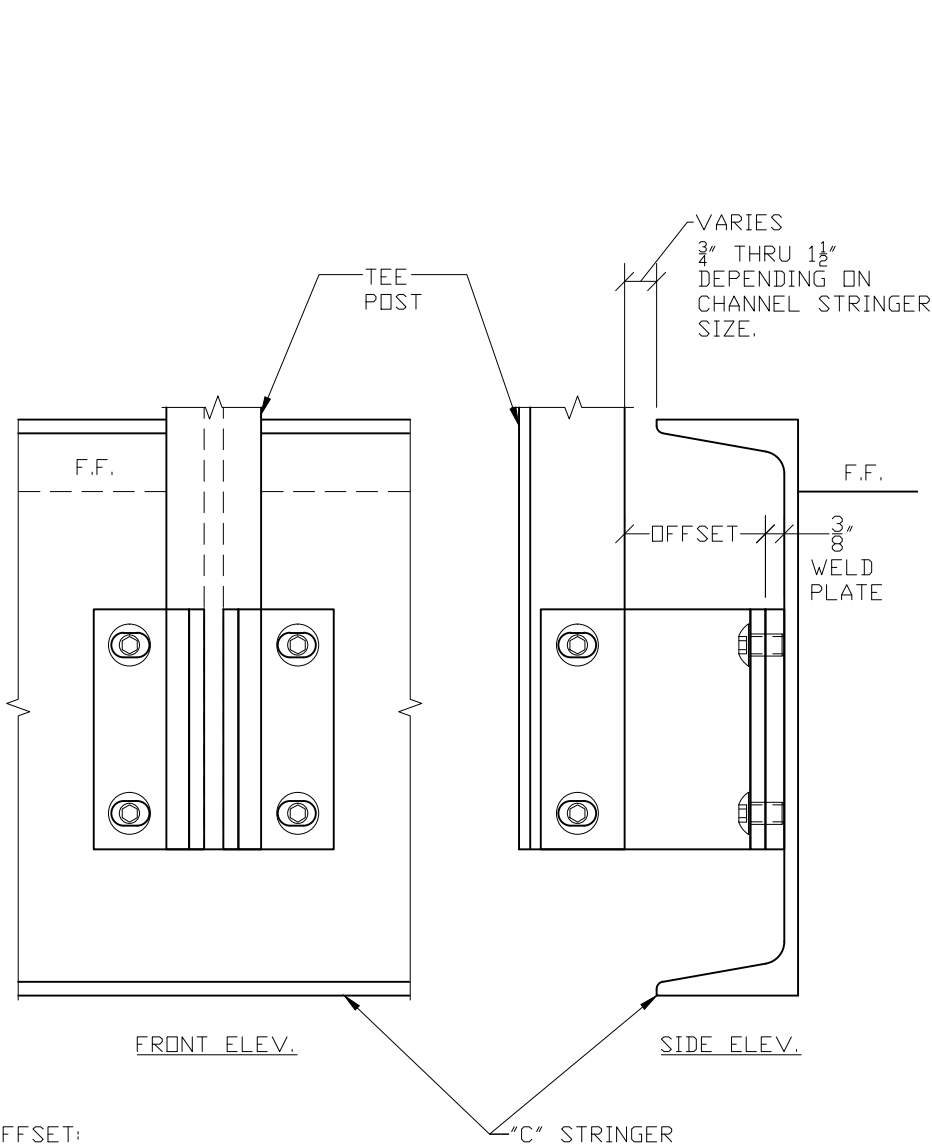
DRAWN BY

BB

SHEET NUMBER

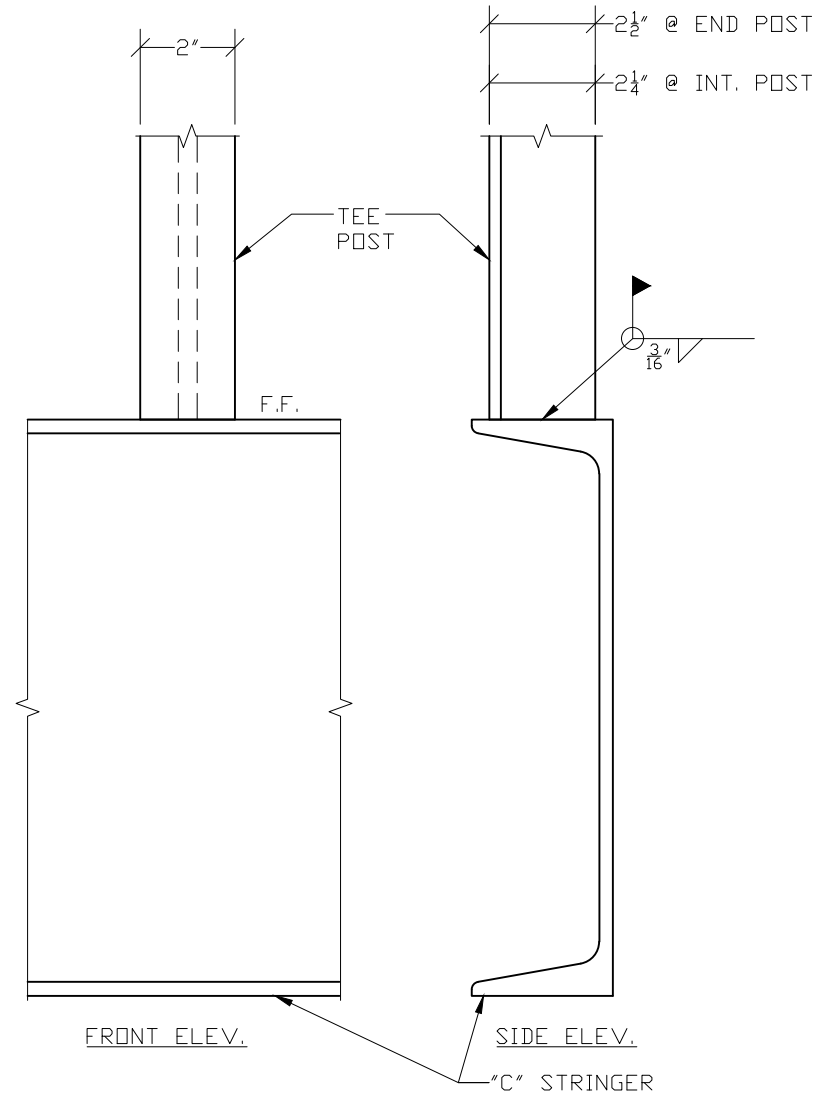
E7 OF E11

STEEL MOUNTING DETAIL



OFFSET:
1" & 2" & 3" AVAILABLE

10 FASCIA MOUNT @ STEEL STRINGER
E8 SCALE: NOT TO SCALE



11 TOP MOUNT @ STEEL CHANNEL
E8 SCALE: NOT TO SCALE



VIVA RAILINGS, LLC
1454 HALSEY WAY
CARROLLTON, TX 75007
P: 972-353-8482
F: 972-353-0013
e: info@vivarailings.com
www.vivarailings.com

DESCRIPTION: PRODUCT DATA
VIVA TEE MOUNTING
OPTIONS

DATE DRAWN

—

PIECE MARK

—

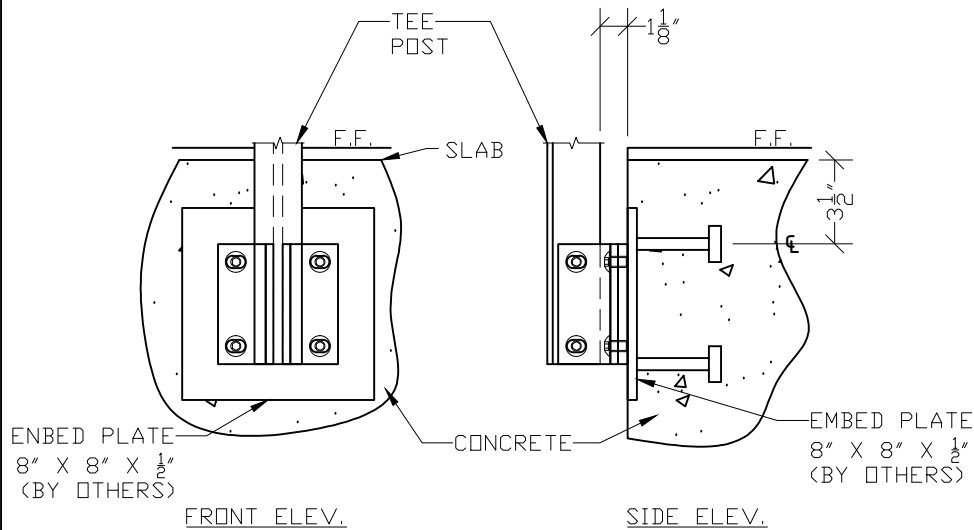
DRAWN BY

BB

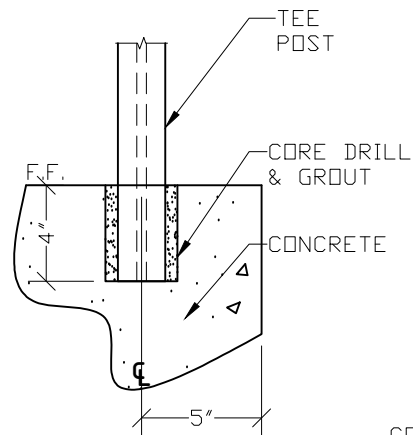
SHEET NUMBER

E8 OF E11

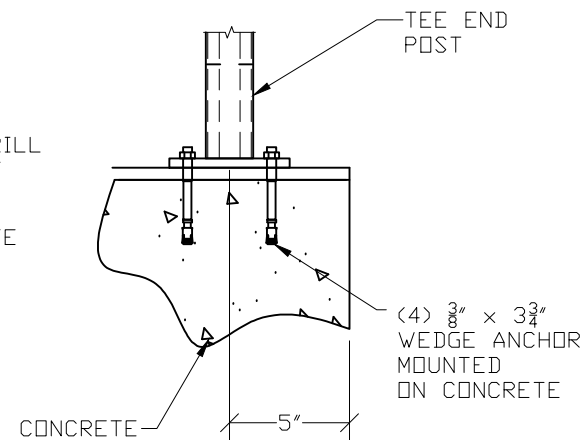
CONCRETE MOUNTING DETAIL



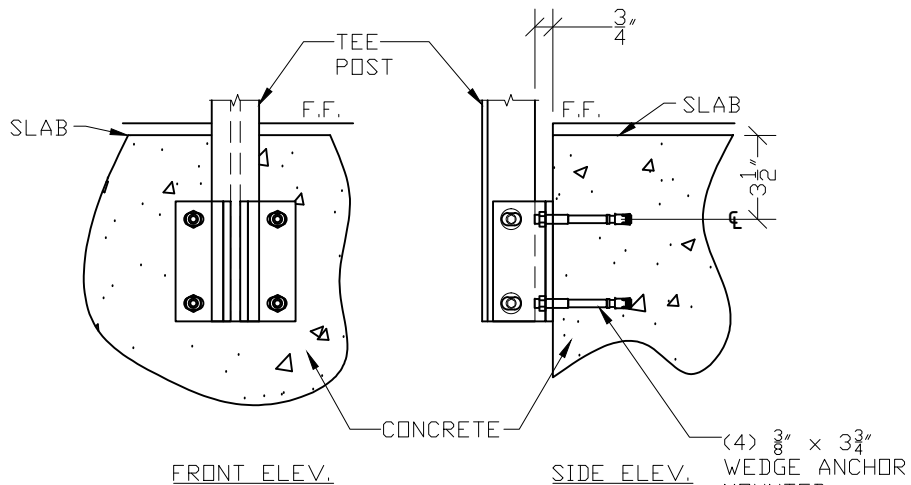
12 FASCIA MOUNT @ EMBED CONCRETE
E9 SCALE: NOT TO SCALE



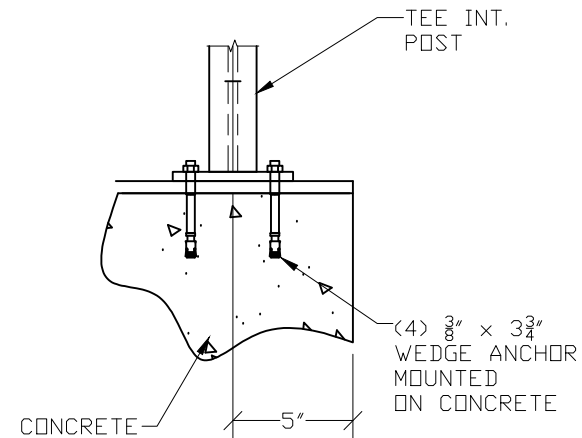
14 CORE MOUNT
E9 SCALE: NOT TO SCALE



15 TOP MOUNT TEE POST END
E9 SCALE: NOT TO SCALE



13 FASCIA MOUNT @ CONCRETE W/ANCHORS
E9 SCALE: NOT TO SCALE



16 TOP MOUNT TEE POST INT.
E9 SCALE: NOT TO SCALE



VIVA RAILINGS, LLC
 1454 HALSEY WAY
 CARROLLTON, TX 75007
 P: 972-353-8482
 F: 972-353-0013
 e: info@vivarailings.com
 www.vivarailings.com

DESCRIPTION: PRODUCT DATA
 VIVA TEE MOUNTING
 OPTIONS

DATE DRAWN

—

PIECE MARK

—

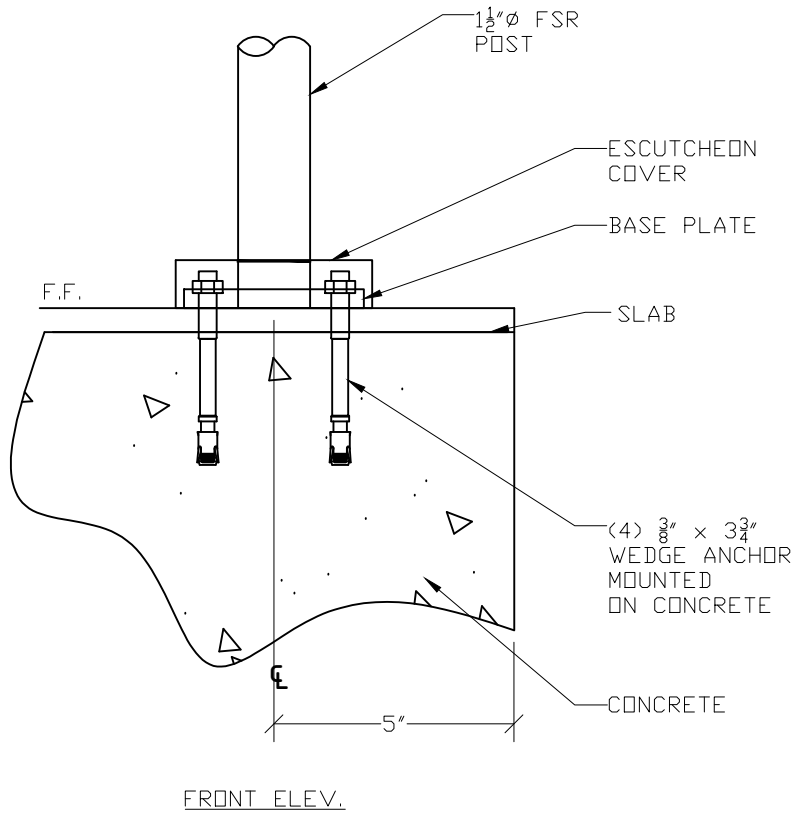
DRAWN BY

BB

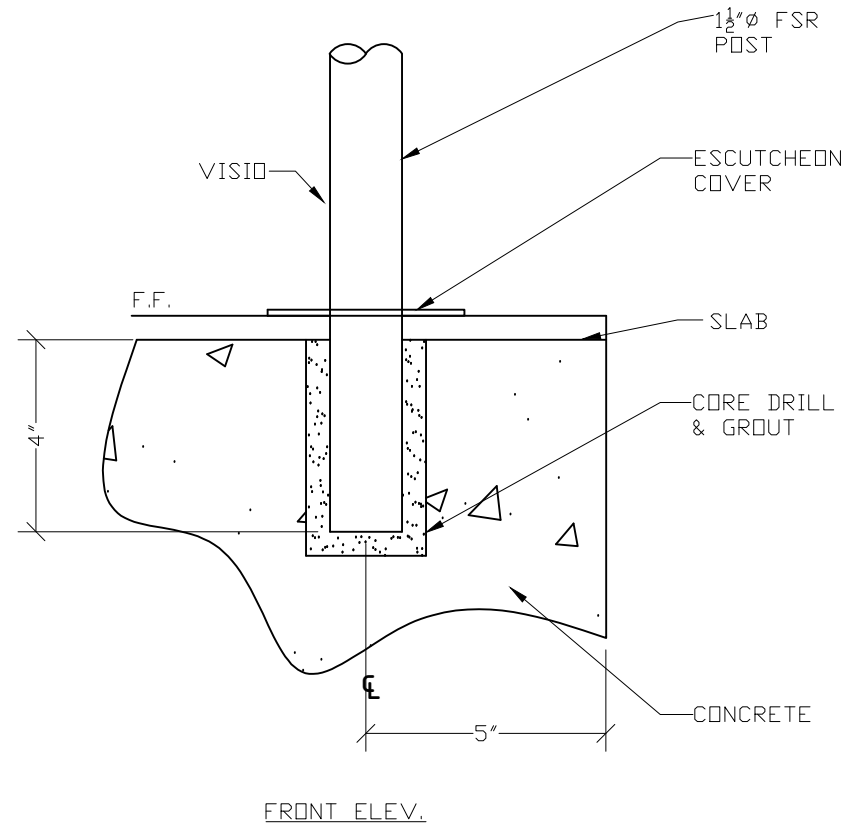
SHEET NUMBER

E9 OF E11

CONCRETE MOUNTING DETAIL



17 FREESTANDING RAIL TOP MOUNT W/ANCHORS
E10 SCALE: NOT TO SCALE



18 FREESTANDING RAIL TOP MOUNT CORE DRILL
E10 SCALE: NOT TO SCALE



VIVA RAILINGS, LLC
1454 HALSEY WAY
CARROLLTON, TX 75007
P: 972-353-8482
F: 972-353-0013
e: info@vivarailings.com
www.vivarailings.com

DESCRIPTION: PRODUCT DATA
VIVA FREESTANDING RAIL MOUNTING
OPTIONS

DATE DRAWN

—

PIECE MARK

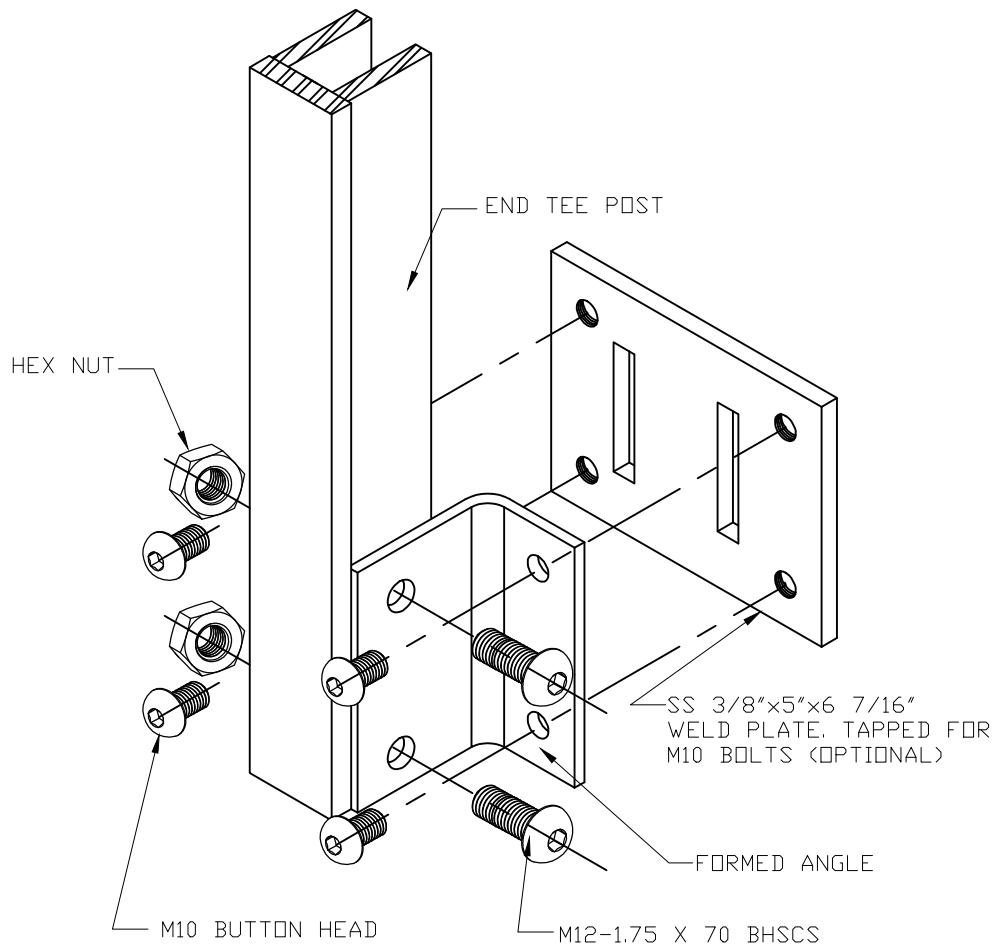
—

DRAWN BY

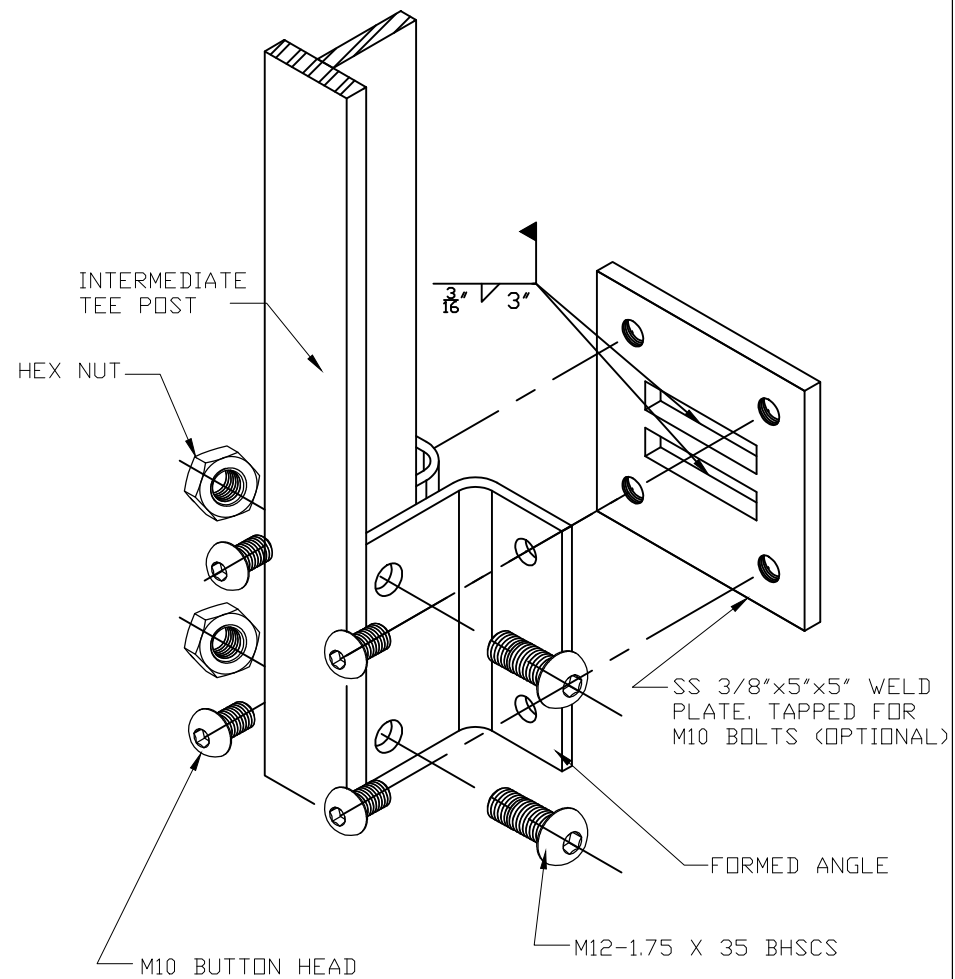
BB

SHEET NUMBER

E10 OF E11



19 TEE END POST & WELD PLATE DETAIL
E11 SCALE: NOT TO SCALE



20 TEE INT. POST & WELD PLATE DETAIL
E11 SCALE: NOT TO SCALE



VIVA RAILINGS, LLC
1454 HALSEY WAY
CARROLLTON, TX 75007
P: 972-353-8482
F: 972-353-0013
e: info@vivarailings.com
www.vivarailings.com

DESCRIPTION: PRODUCT DATA
VIVA TEE MOUNTING
OPTIONS

DATE DRAWN

—

PIECE MARK

—

DRAWN BY

BB

SHEET NUMBER

E11 OF E11