

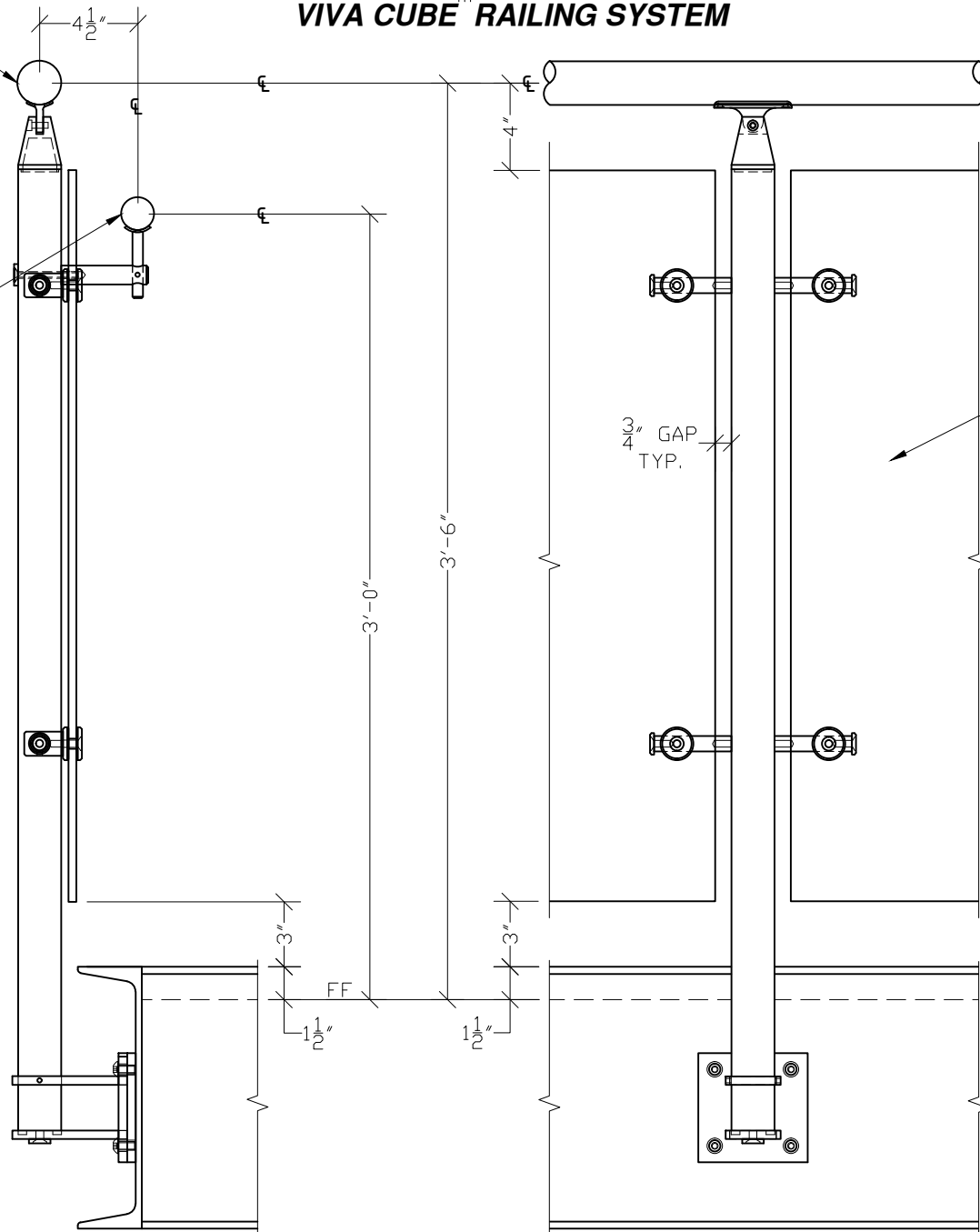
VIVA CUBE™ RAILING SYSTEM

- *1) 2"Ø SS TOPRAIL
SS FINISH #6
- 2) 2"Ø WOOD TOPRAIL
CHERRY
RED OAK
WHITE OAK
MAPLE
- 3) 1.5"Ø LED I-RAIL

- * HANDRAIL STAIR ONLY
- 1) 1½"Ø OR 2"Ø SS HANDRAIL
SS FINISH #6
- 2) 2"Ø WOOD HANDRAIL
WOOD IN
CHERRY WOOD
RED OAK
WHITE OAK
MAPLE WOOD
- 3) 1.5"Ø LED I-RAIL

* REFER TO
WWW.VIVARAILINGS.COM
FOR MORE OPTIONS

1 SIDE DETAIL
E1 SCALE: 1 1/2" = 1'



- * 1) 8 3/8" & 1/2" GLASS CLEAR TEMPERED
- PERF. PANEL PICTURE FRAMED
- WIRE MESH PANEL PICTURE FRAMED
- RESIN PANEL
- VERT. PICKET

2 ELEVATION DETAIL
E1 SCALE: 1 1/2" = 1'

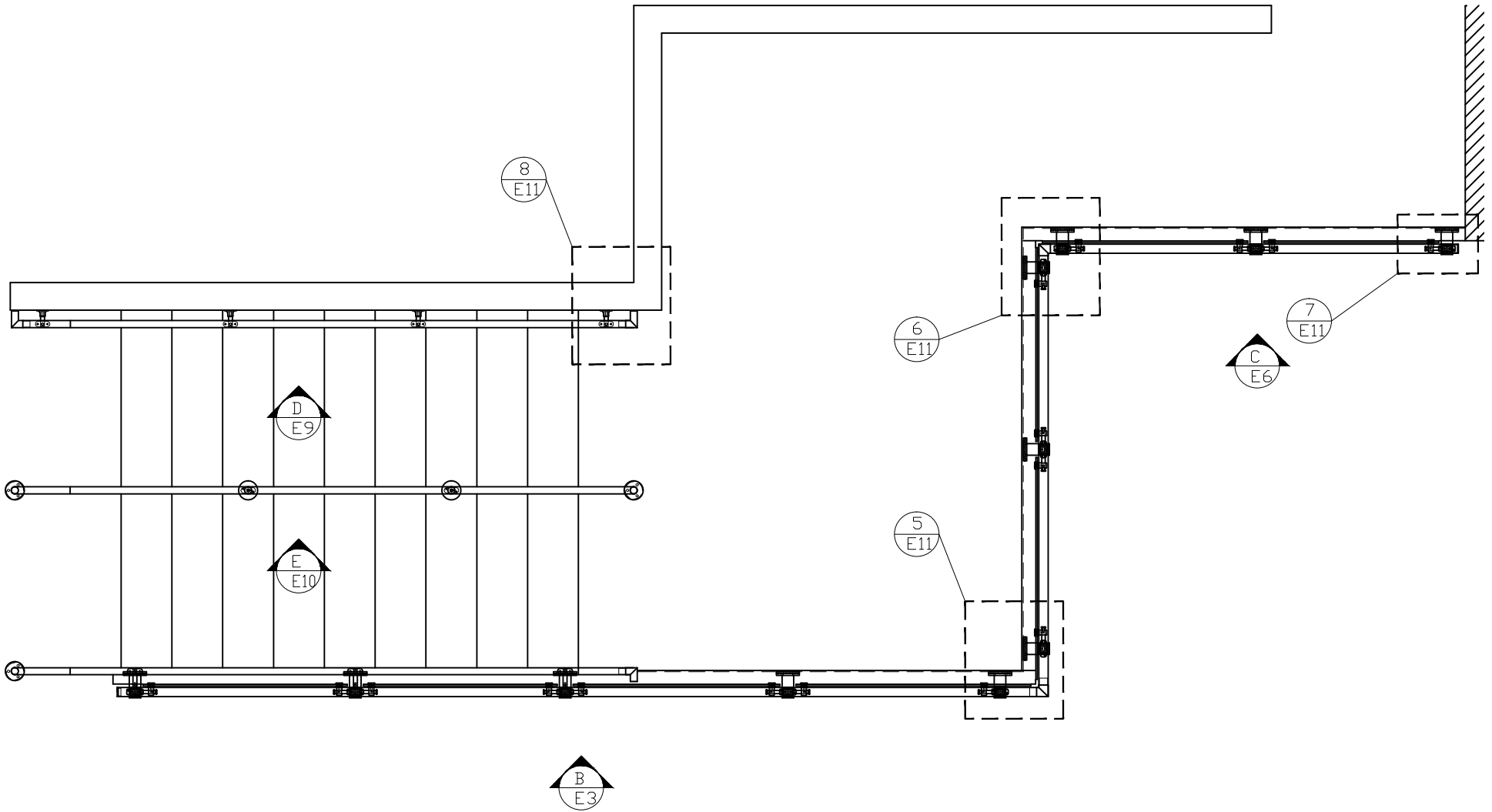


VIVA RAILINGS, LLC
1454 HALSEY WAY
CARROLLTON, TX 75007
P: 972-353-8482
F: 972-353-0013
e: info@vivarailings.com
www.vivarailings.com

DESCRIPTION: PRODUCT DATA
VIVA CUBE ELEVATION DETAIL

DATE DRAWN	—
PIECE MARK	—

DRAWN BY	BB
SHEET NUMBER	E1 OF E15



A PLAN VIEW
E2 SCALE: 3/8" = 1'

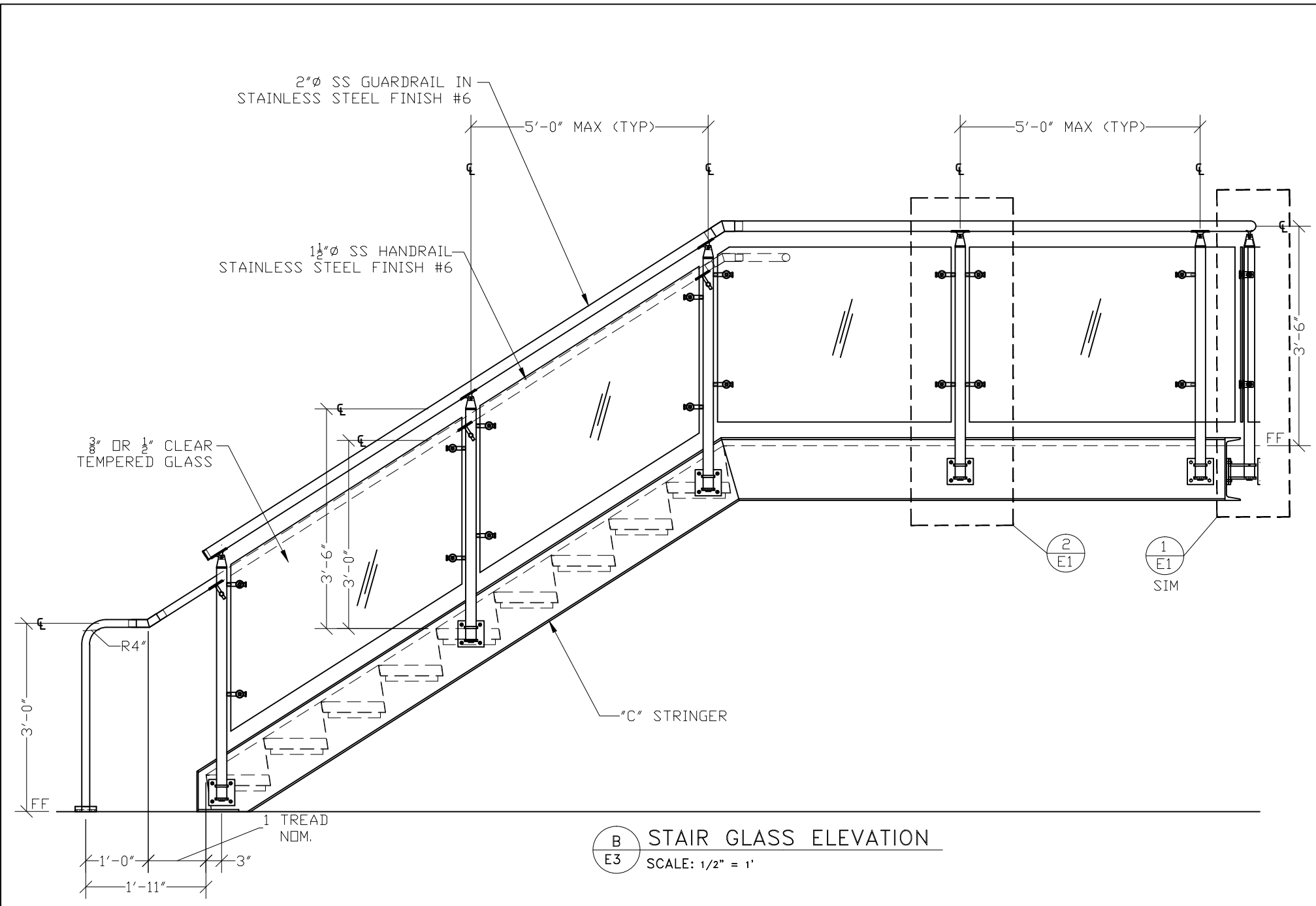


VIVA RAILINGS, LLC
 1454 HALSEY WAY
 CARROLLTON, TX 75007
 P: 972-353-8482
 F: 972-353-0013
 e: info@vivarailings.com
 www.vivarailings.com

DESCRIPTION: PRODUCT DATA
 VIVA CUBE PLAN VIEW

DATE DRAWN
 —
 PIECE MARK
 —

DRAWN BY
 BB
 SHEET NUMBER
 E2 OF E15



VIVA RAILINGS, LLC
 1454 HALSEY WAY
 CARROLLTON, TX 75007
 P: 972-353-8482
 F: 972-353-0013
 e: info@vivarailings.com
 www.vivarailings.com

DESCRIPTION: PRODUCT DATA
 VIVA CUBE GLASS STAIR ELEVATION

DATE DRAWN

—

PIECE MARK

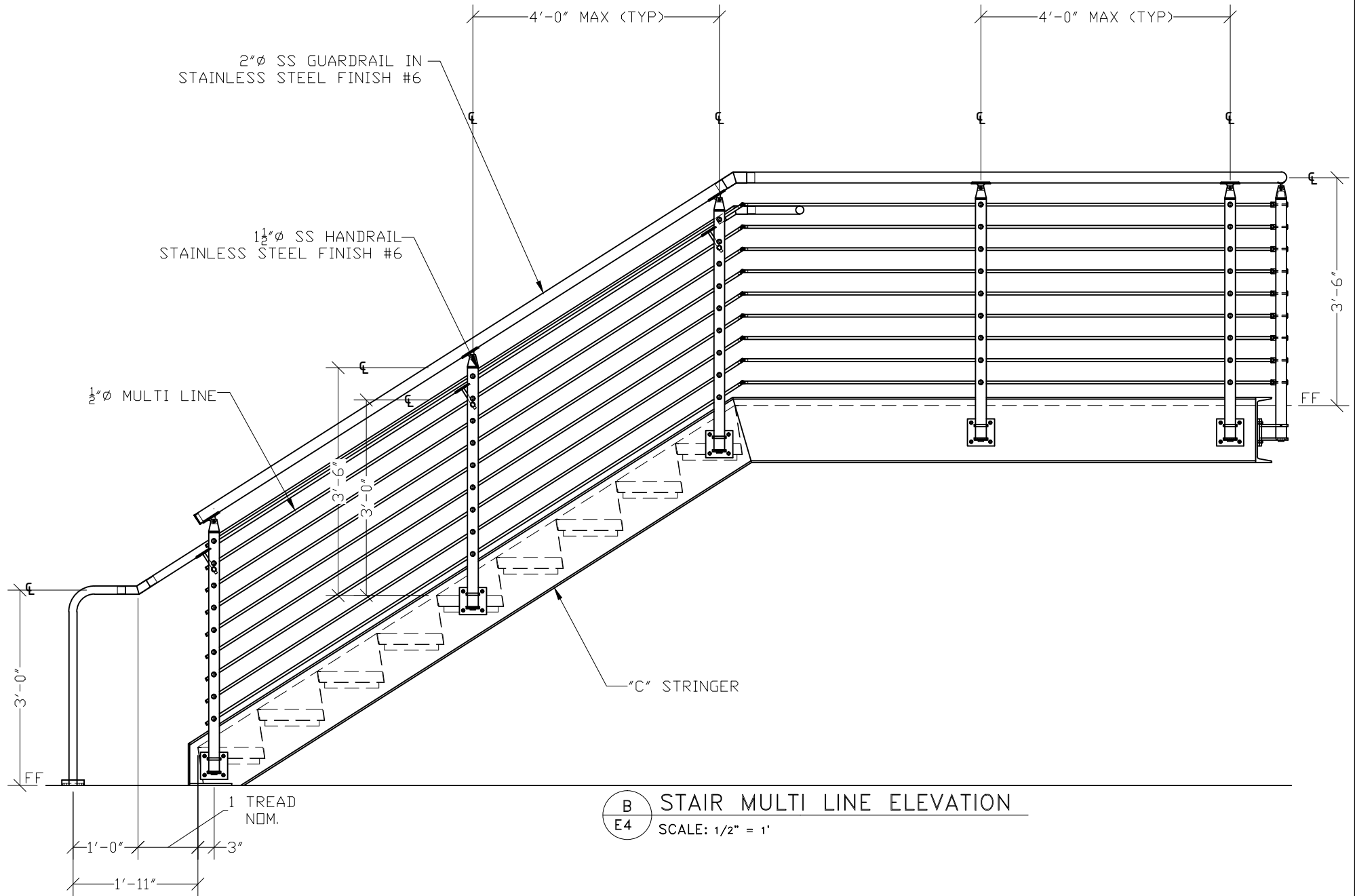
—

DRAWN BY

BB

SHEET NUMBER

E3 OF E15



B STAIR MULTI LINE ELEVATION
E4 SCALE: 1/2" = 1'



VIVA RAILINGS, LLC
 1454 HALSEY WAY
 CARROLLTON, TX 75007
 P: 972-353-8482
 F: 972-353-0013
 e: info@vivarailings.com
 www.vivarailings.com

DESCRIPTION: PRODUCT DATA
 VIVA CUBE MULTI LINE STAIR
 ELEVATION

DATE DRAWN

—

PIECE MARK

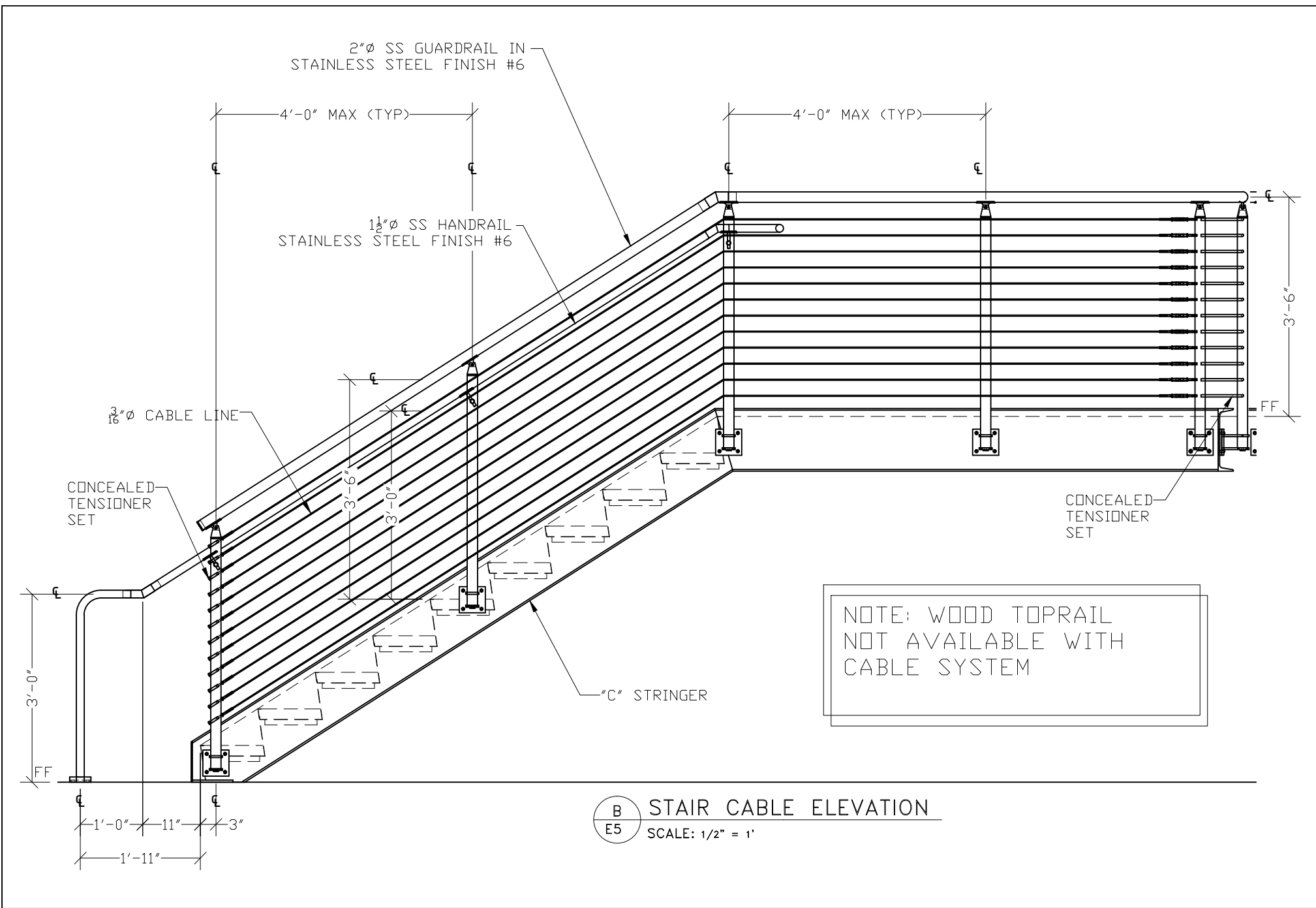
OPTION 1

DRAWN BY

BB

SHEET NUMBER

E4 OF E15



VIVA RAILINGS, LLC
 1454 HALSEY WAY
 CARROLLTON, TX 75007
 P: 972-353-8482
 F: 972-353-0013
 e: info@vivarailings.com
 www.vivarailings.com

DESCRIPTION: PRODUCT DATA
 VIVA CUBE CABLE STAIR ELEVATION

DATE DRAWN

—

PIECE MARK

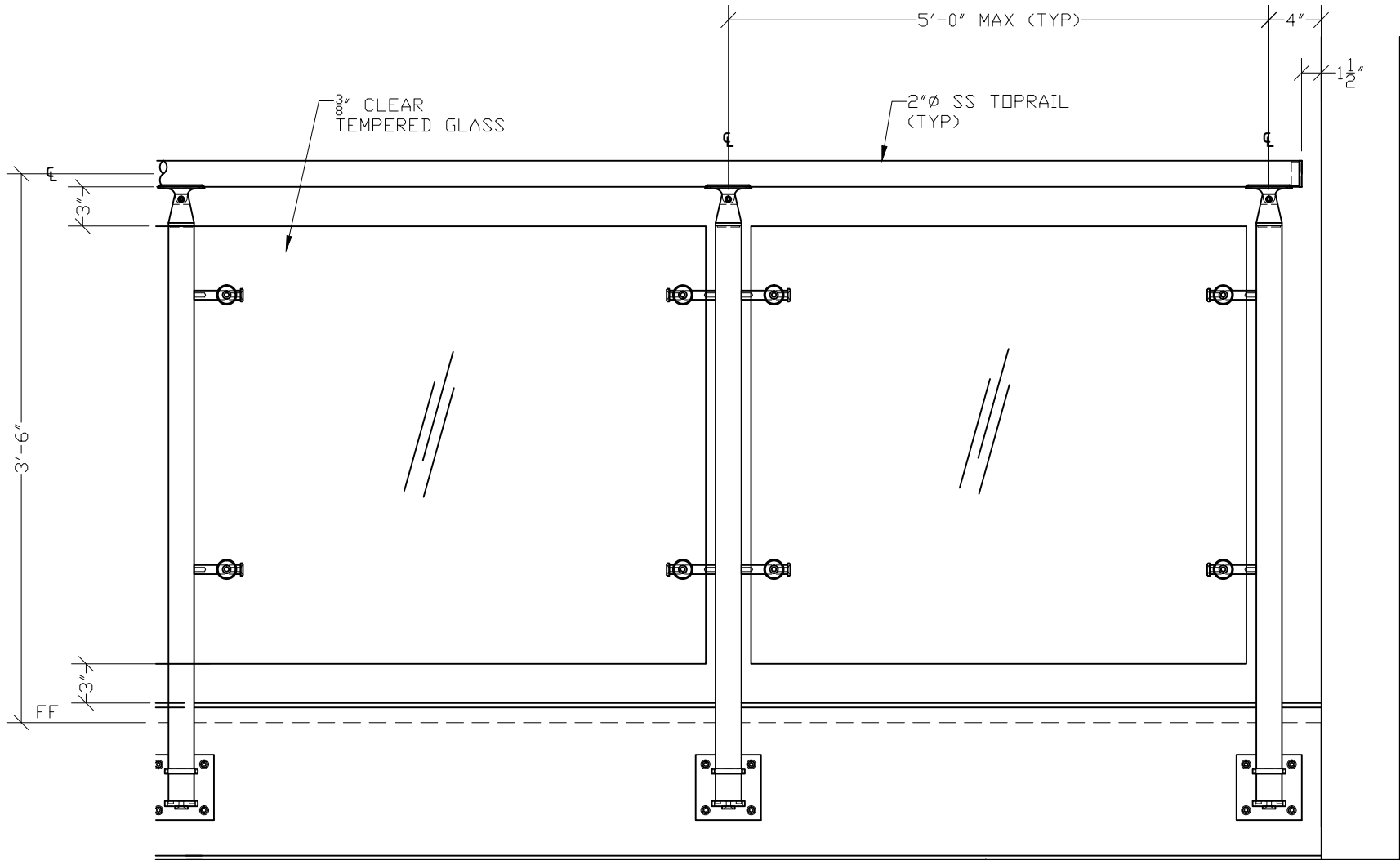
OPTION 2

DRAWN BY

BB

SHEET NUMBER

E5 OF E15



C GLASS ELEVATION
E6 SCALE:

"C" STRINGER



VIVA RAILINGS, LLC
 1454 HALSEY WAY
 CARROLLTON, TX 75007
 P: 972-353-8482
 F: 972-353-0013
 e: info@vivarailings.com
 www.vivarailings.com

DESCRIPTION: PRODUCT DATA
 VIVA CUBE GLASS ELEVATION

DATE DRAWN

—

PIECE MARK

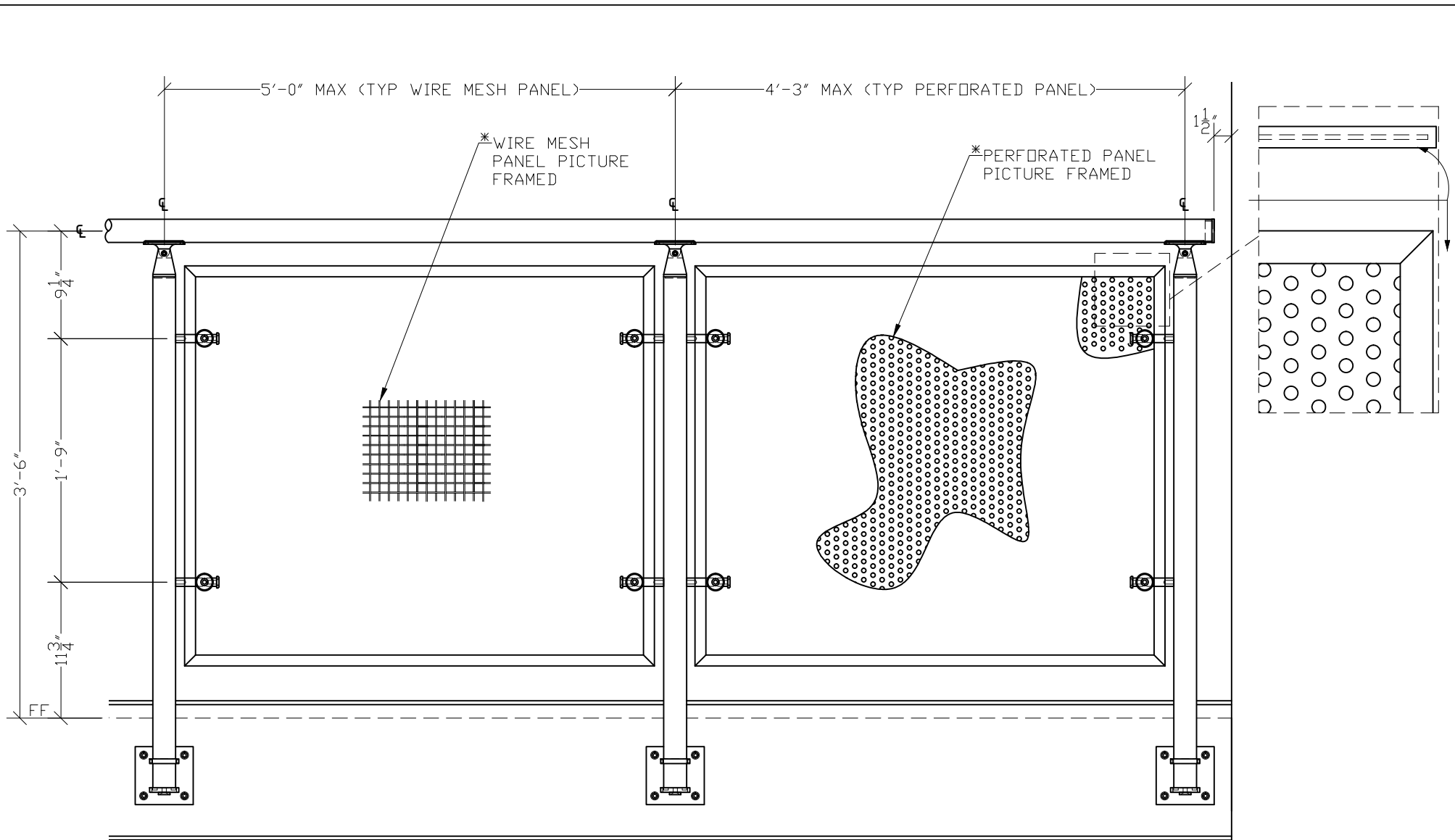
—

DRAWN BY

BB

SHEET NUMBER

E6 OF E15



C
E7
MESH & PERF. ELEVATION
 SCALE:

* REFER TO
WWW.VIVARAILINGS.COM
 FOR MORE OPTIONS

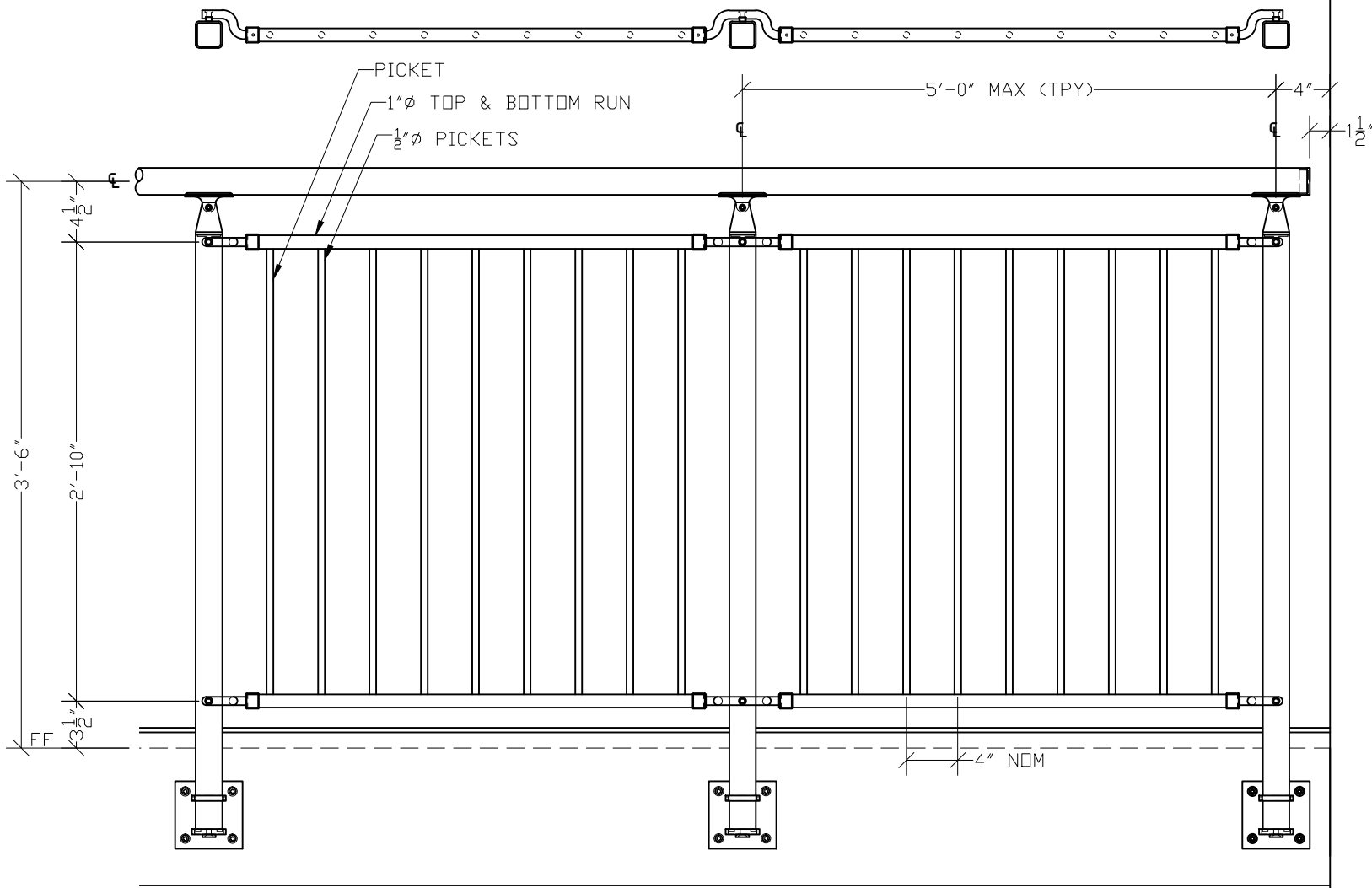


VIVA RAILINGS, LLC
 1454 HALSEY WAY
 CARROLLTON, TX 75007
 P: 972-353-8482
 F: 972-353-0013
 e: info@vivarailings.com
www.vivarailings.com

DESCRIPTION: PRODUCT DATA
 VIVA CUBE MESH & PERF PANEL
 FRAMED ELEVATION
 —

DATE DRAWN
 —
PIECE MARK
 OPTION 1

DRAWN BY
 BB
SHEET NUMBER
 E7 OF E15



C
E8
PICKET ELEVATION
 SCALE:

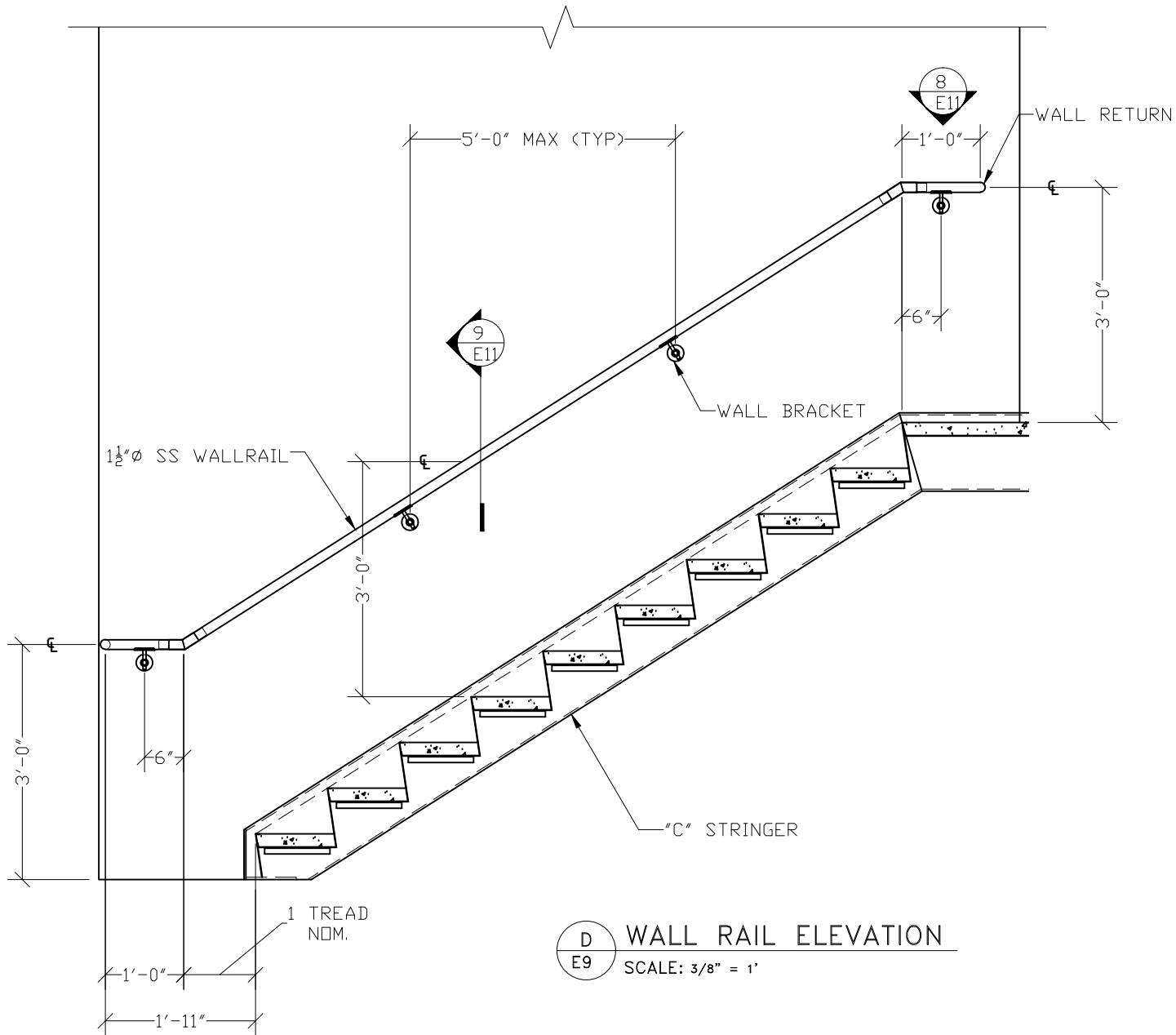


VIVA RAILINGS, LLC
 1454 HALSEY WAY
 CARROLLTON, TX 75007
 P: 972-353-8482
 F: 972-353-0013
 e: info@vivarailings.com
 www.vivarailings.com

DESCRIPTION: PRODUCT DATA
 VIVA CUBE PICKET ELEVATION
 —
 —

DATE DRAWN
 —
 PIECE MARK
 —

DRAWN BY
 BB
 SHEET NUMBER
 E8 OF E15



VIVA RAILINGS, LLC
 1454 HALSEY WAY
 CARROLLTON, TX 75007
 P: 972-353-8482
 F: 972-353-0013
 e: info@vivarailings.com
 www.vivarailings.com

DESCRIPTION: PRODUCT DATA
 VIVA WALL RAIL ELEVATION

DATE DRAWN

—

PIECE MARK

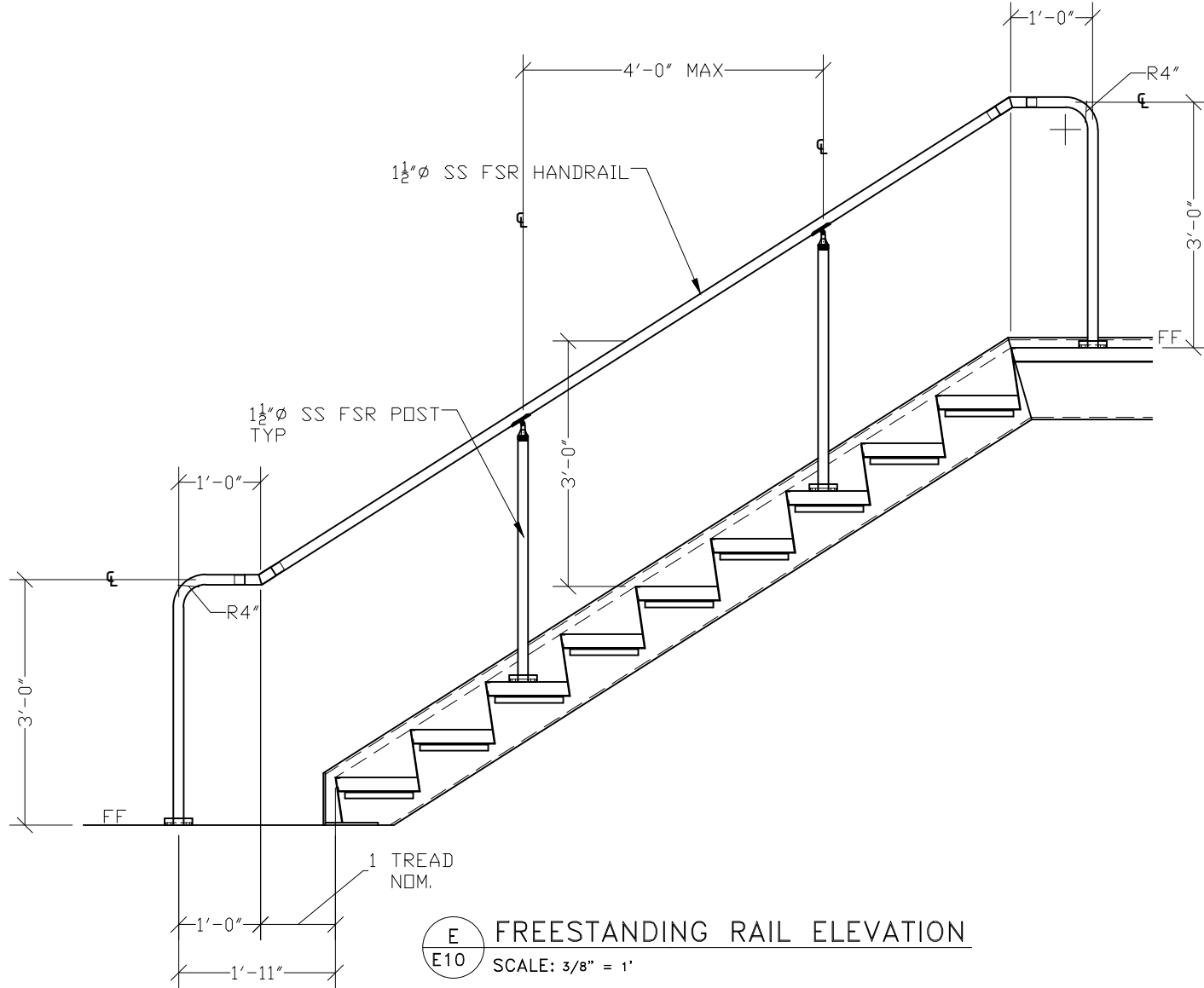
—

DRAWN BY

BB

SHEET NUMBER

E9 OF E15



E
E10

FREESTANDING RAIL ELEVATION

SCALE: 3/8" = 1'



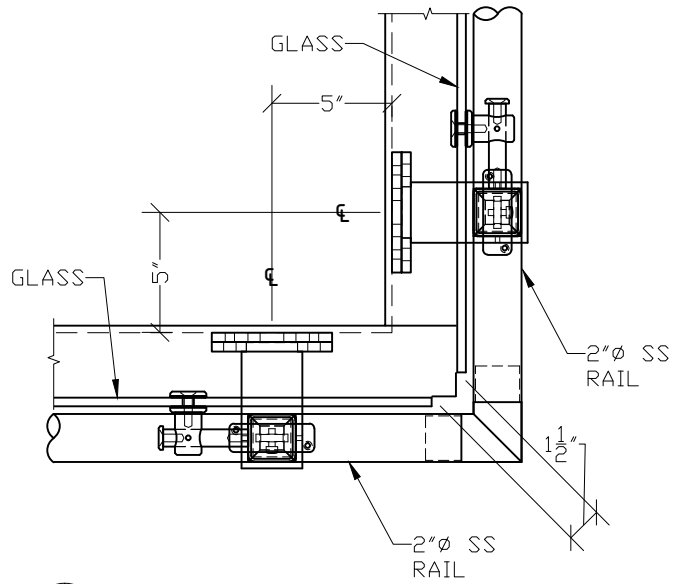
VIVA RAILINGS, LLC
 1454 HALSEY WAY
 CARROLLTON, TX 75007
 P: 972-353-8482
 F: 972-353-0013
 e: info@vivarailings.com
 www.vivarailings.com

DESCRIPTION: PRODUCT DATA
 VIVA FREESTANDING RAIL
 ELEVATION

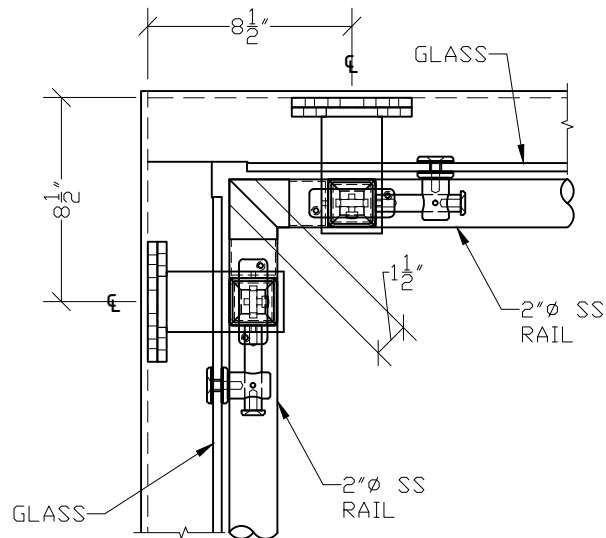
DATE DRAWN	—
PIECE MARK	—

DRAWN BY	BB
SHEET NUMBER	E10 OF E15

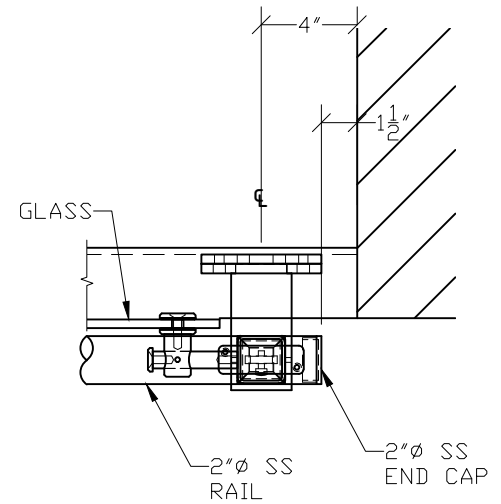
GLASS CORNER DETAILS



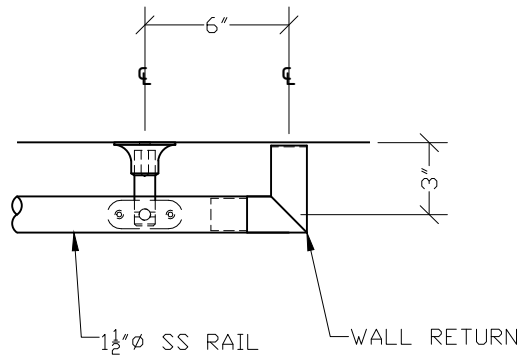
5 INSIDE CORNER
E11 SCALE: 1 1/2" = 1'



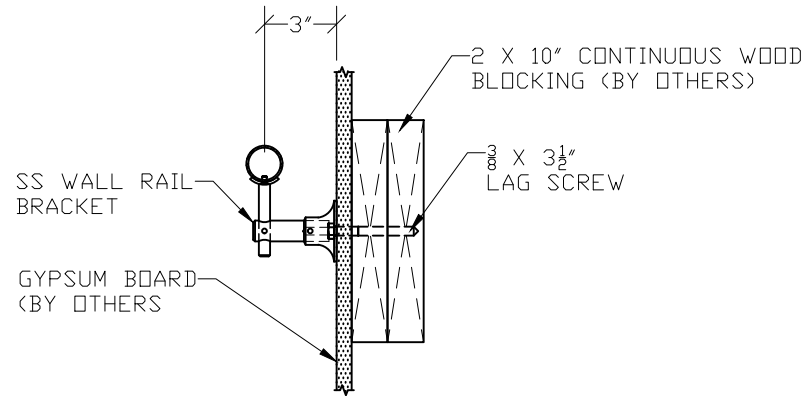
6 OUTSIDE CORNER
E11 SCALE: 1 1/2" = 1'



7 END CONDITION
E11 SCALE: 1 1/2" = 1'



8 WALL BRACKET & RETURN PLAN
E11 SCALE: 1 1/2" = 1'



9 WALL BRACKET SECTION
E11 SCALE: 1 1/2" = 1'



VIVA RAILINGS, LLC
1454 HALSEY WAY
CARROLLTON, TX 75007
P: 972-353-8482
F: 972-353-0013
e: info@vivarailings.com
www.vivarailings.com

DESCRIPTION: PRODUCT DATA
VIVA CUBE GLASS PLAN DETAIL

DATE DRAWN

—

PIECE MARK

—

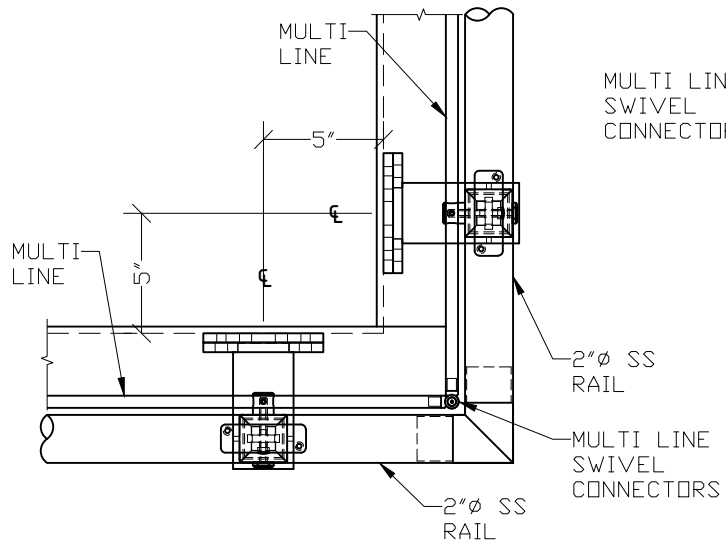
DRAWN BY

BB

SHEET NUMBER

E11 OF E15

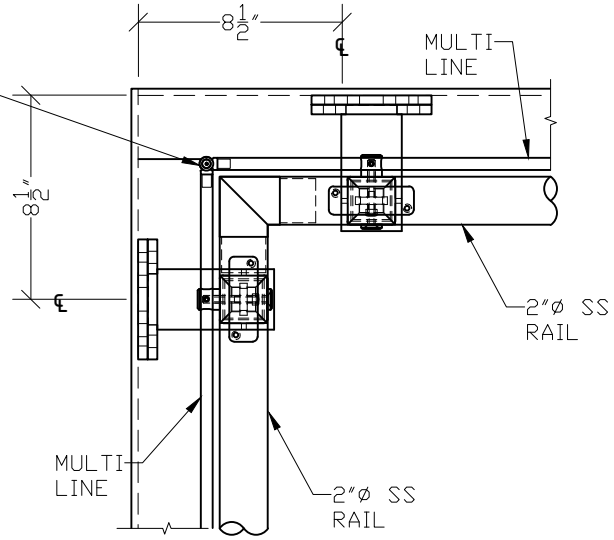
MULTI LINE CORNER DETAILS



MULTI LINE SWIVEL CONNECTORS
2" Ø SS RAIL
MULTI LINE SWIVEL CONNECTORS
2" Ø SS RAIL

5 INSIDE CORNER MULTI LINE

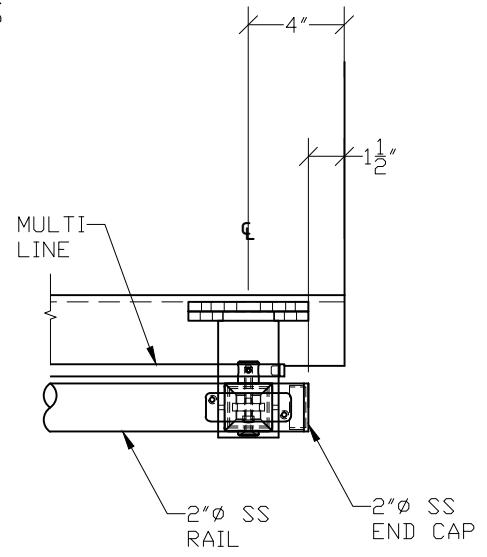
E12 SCALE: 1 1/2" = 1'



MULTI LINE SWIVEL CONNECTORS
2" Ø SS RAIL
MULTI LINE SWIVEL CONNECTORS
2" Ø SS RAIL

6 OUTSIDE CORNER MULTI LINE

E12 SCALE: 1 1/2" = 1'

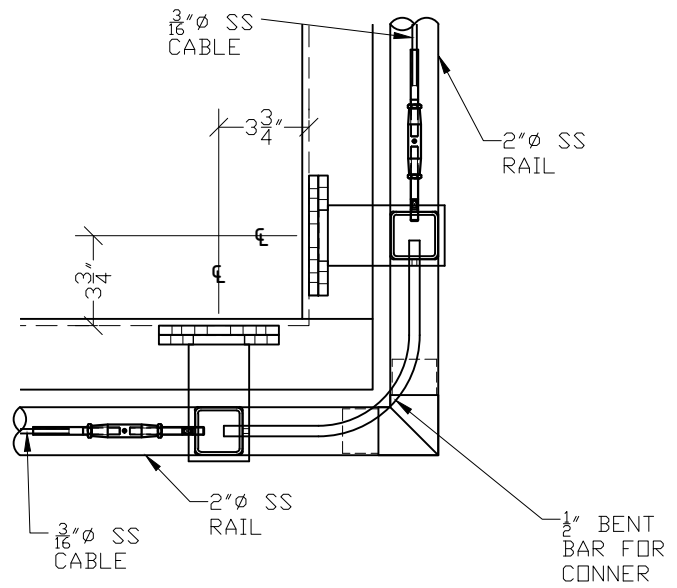


MULTI LINE SWIVEL CONNECTORS
2" Ø SS RAIL
2" Ø SS END CAP

7 END CONDITION MULTI LINE

E12 SCALE: 1 1/2" = 1'

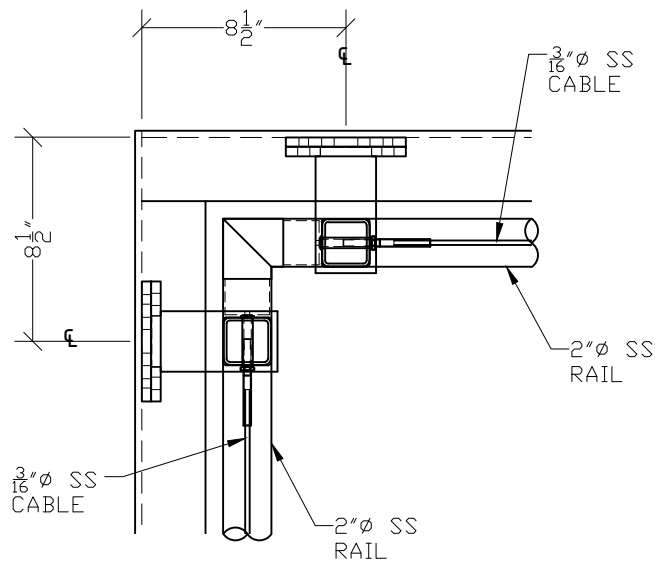
CABLE CORNER DETAILS



3/16" Ø SS CABLE
2" Ø SS RAIL
3 3/4"
3 3/4"
2" Ø SS RAIL
1/2" BENT BAR FOR CORNER
3/16" Ø SS CABLE
2" Ø SS RAIL

5 INSIDE CORNER CABLE

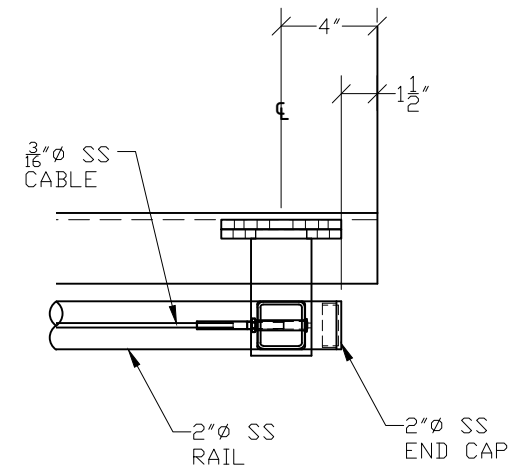
E12 SCALE: 1 1/2" = 1'



3/16" Ø SS CABLE
2" Ø SS RAIL
8 1/2"
8 1/2"
3/16" Ø SS CABLE
2" Ø SS RAIL

6 OUTSIDE CORNER CABLE

E12 SCALE: 1 1/2" = 1'



3/16" Ø SS CABLE
2" Ø SS RAIL
2" Ø SS END CAP
4"
1 1/2"

7 END CONDITION CABLE

E12 SCALE: 1 1/2" = 1'



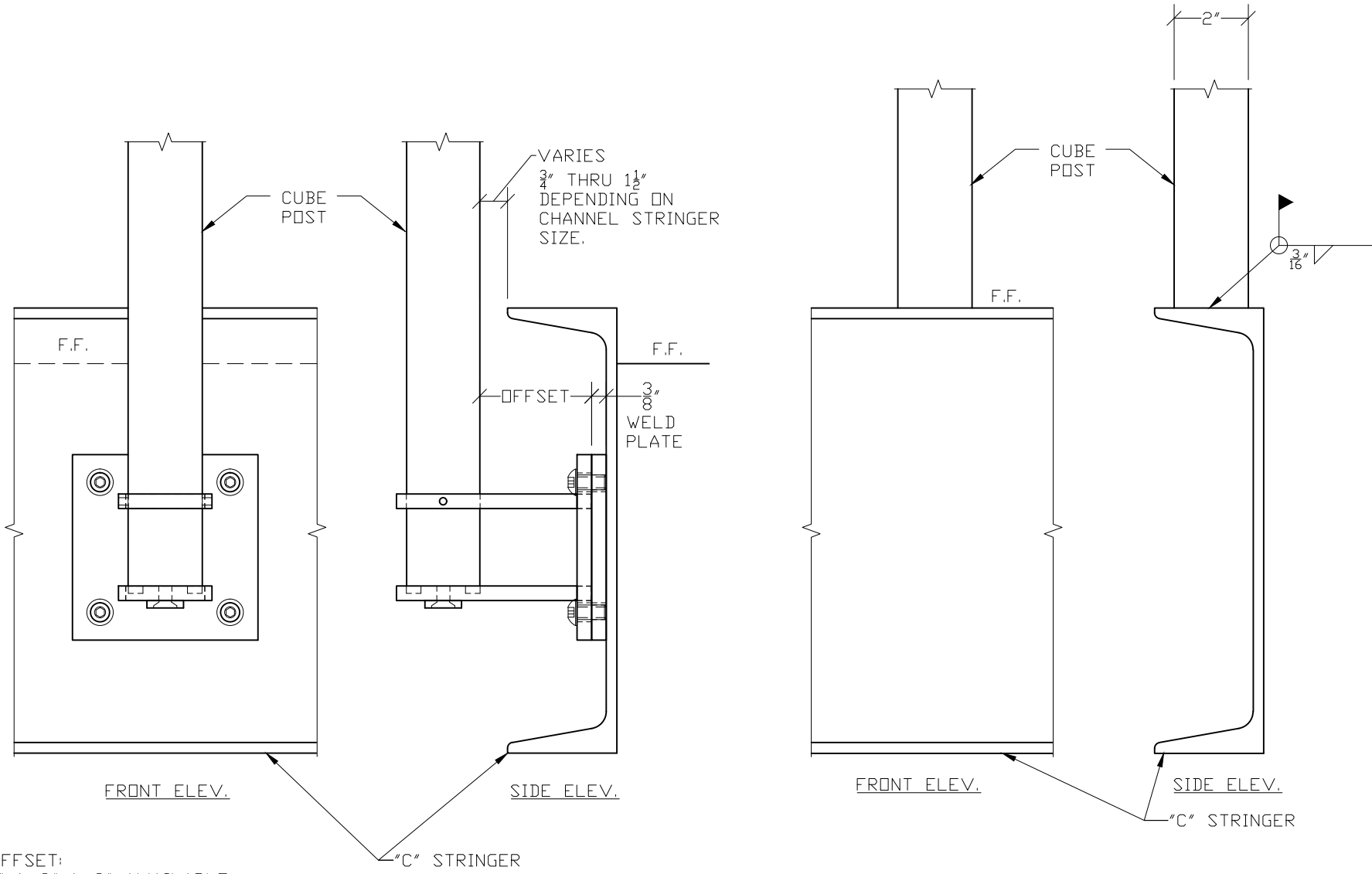
VIVA RAILINGS, LLC
1454 HALSEY WAY
CARROLLTON, TX 75007
P: 972-353-8482
F: 972-353-0013
e: info@vivarailings.com
www.vivarailings.com

DESCRIPTION: PRODUCT DATA
VIVA CUBE MULTI LINE & CABLE PLAN
DETAIL

DATE DRAWN
—
PIECE MARK
—

DRAWN BY
BB
SHEET NUMBER
E12 OF E15

STEEL MOUNTING DETAIL



OFFSET:
1" & 2" & 3" AVAILABLE

10 FASCIA MOUNT @ STEEL STRINGER
E13 SCALE: NOT TO SCALE

11 TOP MOUNT @ STEEL CHANNEL
E13 SCALE: NOT TO SCALE



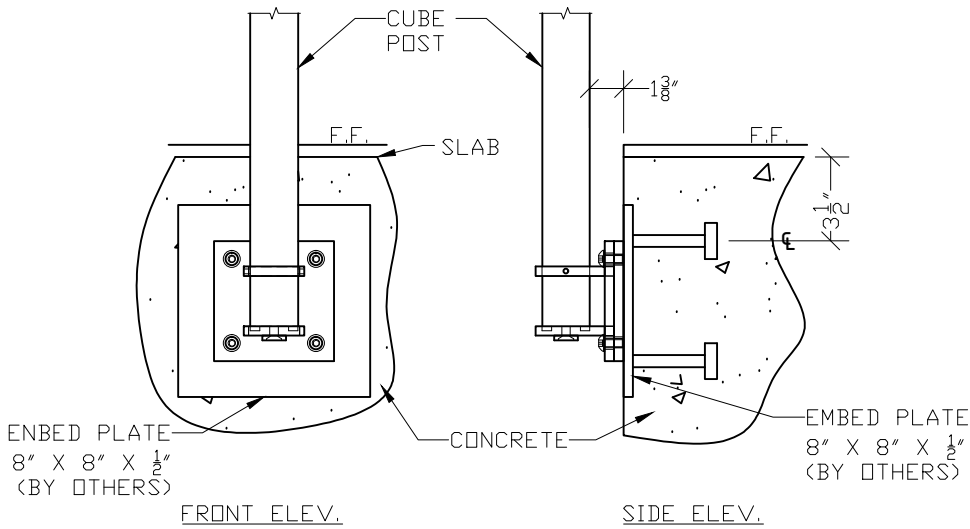
VIVA RAILINGS, LLC
1454 HALSEY WAY
CARROLLTON, TX 75007
P: 972-353-8482
F: 972-353-0013
e: info@vivarailings.com
www.vivarailings.com

DESCRIPTION: PRODUCT DATA
VIVA CUBE MOUNTING
OPTIONS

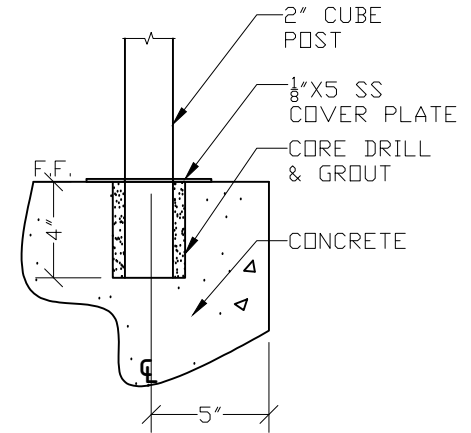
DATE DRAWN
—
PIECE MARK
—

DRAWN BY
BB
SHEET NUMBER
E13 OF E15

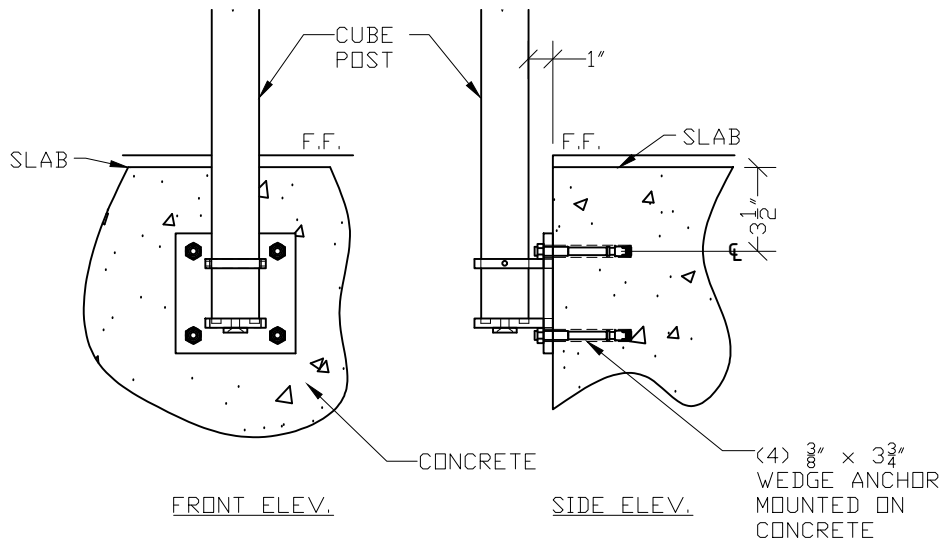
CONCRETE MOUNTING DETAIL



12 FASCIA MOUNT @ EMBED CONCRETE
E14 SCALE: NOT TO SCALE



14 CORE MOUNT
E14 SCALE: NOT TO SCALE



13 FASCIA MOUNT @ CONCRETE W/ANCORS
E14 SCALE: NOT TO SCALE



VIVA RAILINGS, LLC
 1454 HALSEY WAY
 CARROLLTON, TX 75007
 P: 972-353-8482
 F: 972-353-0013
 e: info@vivarailings.com
 www.vivarailings.com

DESCRIPTION: PRODUCT DATA
 VIVA CUBE MOUNTING
 OPTIONS

DATE DRAWN

—

PIECE MARK

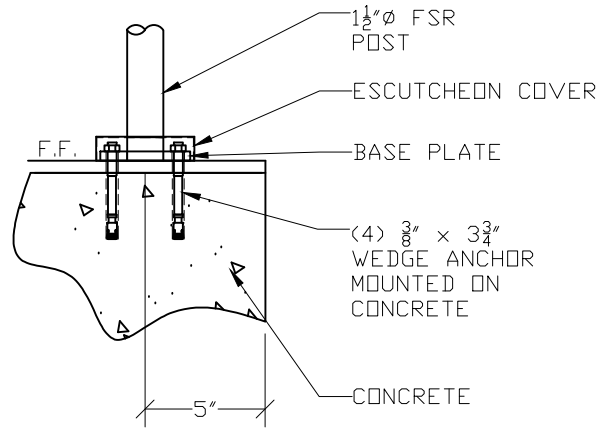
—

DRAWN BY

BB

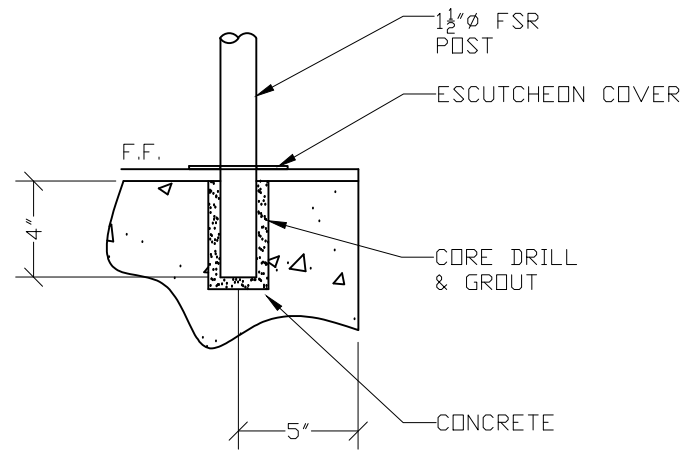
SHEET NUMBER

E14 OF E15



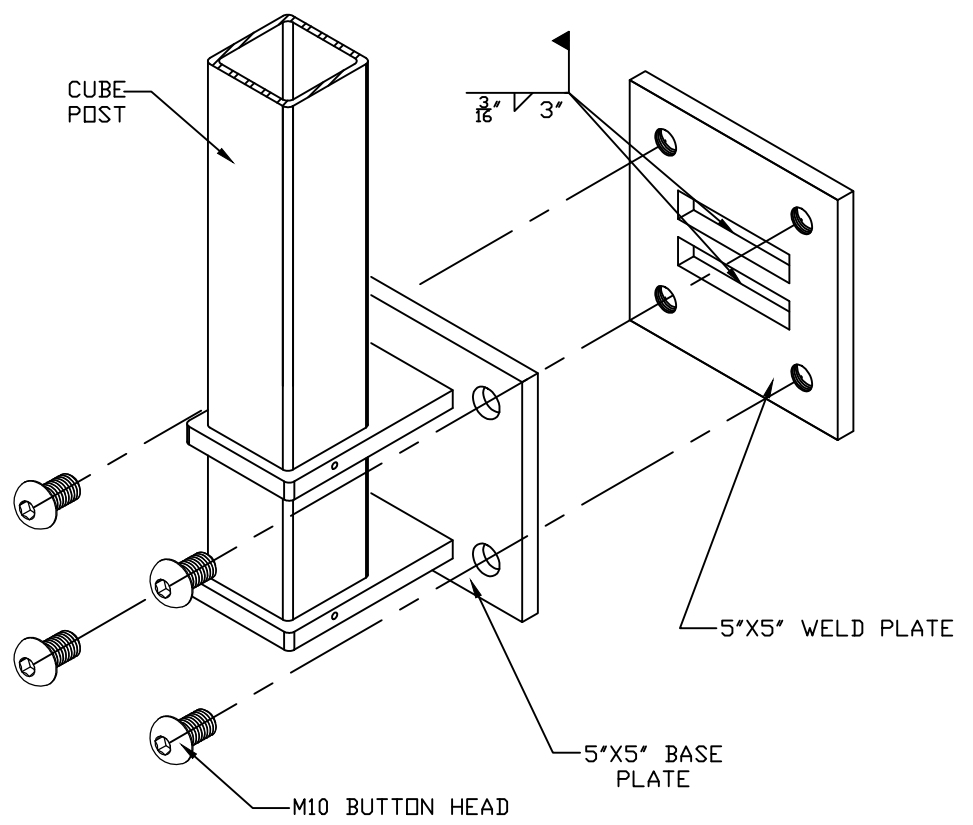
FRONT ELEV.

15 FREESTANDING RAIL TOP MOUNT
E15 SCALE: NOT TO SCALE



FRONT ELEV.

16 FREESTANDING RAIL TOP MOUNT
E15 SCALE: NOT TO SCALE



17 CUBE POST & WELD PLATE DETAIL
E15 SCALE: NOT TO SCALE



VIVA RAILINGS, LLC
1454 HALSEY WAY
CARROLLTON, TX 75007
P: 972-353-8482
F: 972-353-0013
e: info@vivarailings.com
www.vivarailings.com

DESCRIPTION: PRODUCT DATA
VIVA CUBE MOUNTING
OPTIONS

DATE DRAWN
—
PIECE MARK
—

DRAWN BY
BB
SHEET NUMBER
E15 OF E15