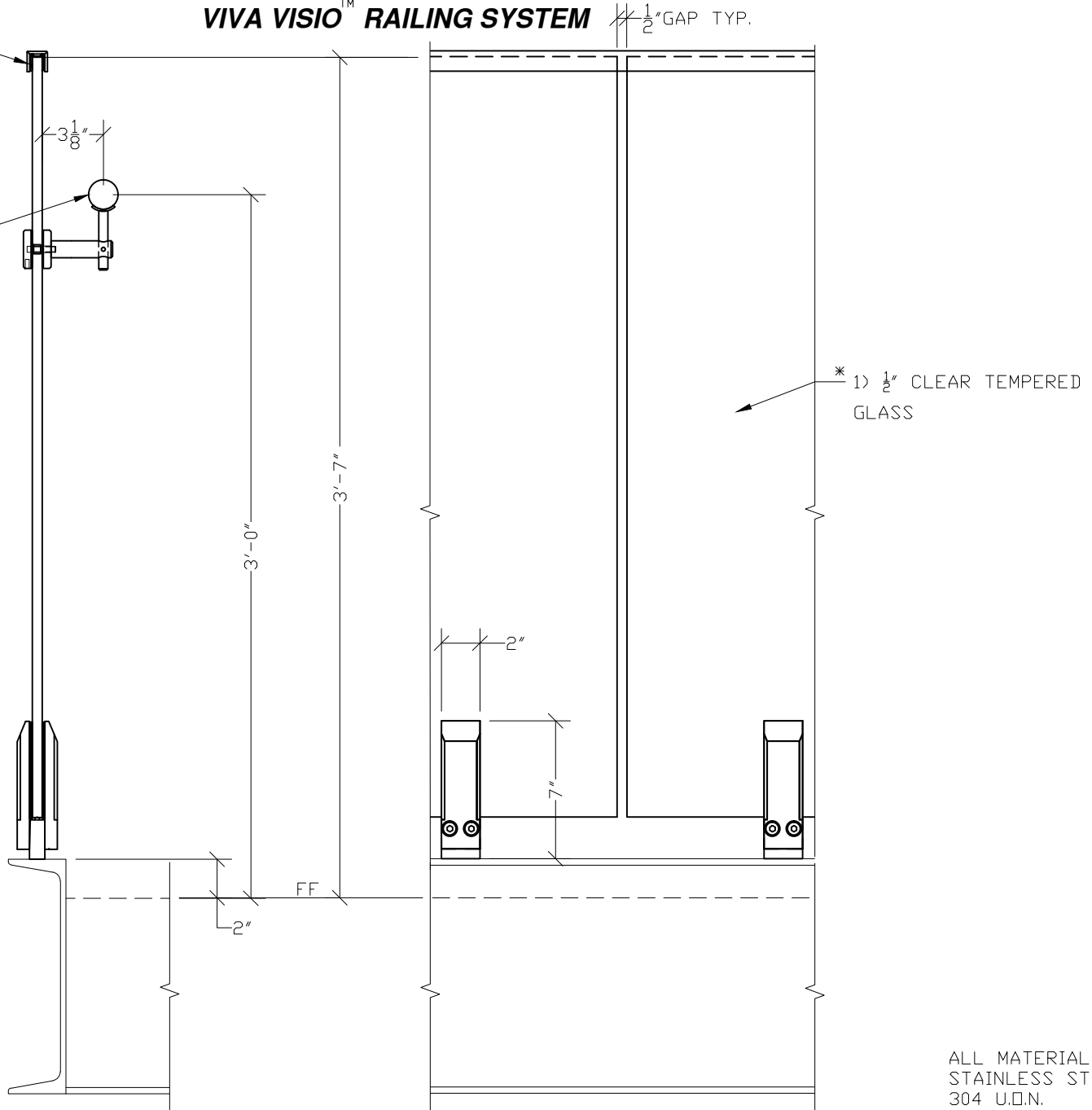


# VIVA VISIO™ RAILING SYSTEM

- \* OPTIONAL CAPS
- 1) 1" U-CAP HEAVY
- 2) 1½" Ø LED I-RAIL

HANDRAIL IS REQUIRED AT STAIR AND GUARDRAIL WITHOUT OPTIONAL 'U' CAP REF: SHT E3 FOR OPTIONS



\* VISIT  
VIVARAILINGS.COM  
FOR MORE OPTIONS

ALL MATERIAL  
STAINLESS STEEL  
304 U.O.N.



**VIVA RAILINGS, LLC**  
1454 HALSEY WAY  
CARROLLTON, TX 75007  
P: 972-353-8482  
F: 972-353-0013  
e: info@vivarailings.com  
www.vivarailings.com

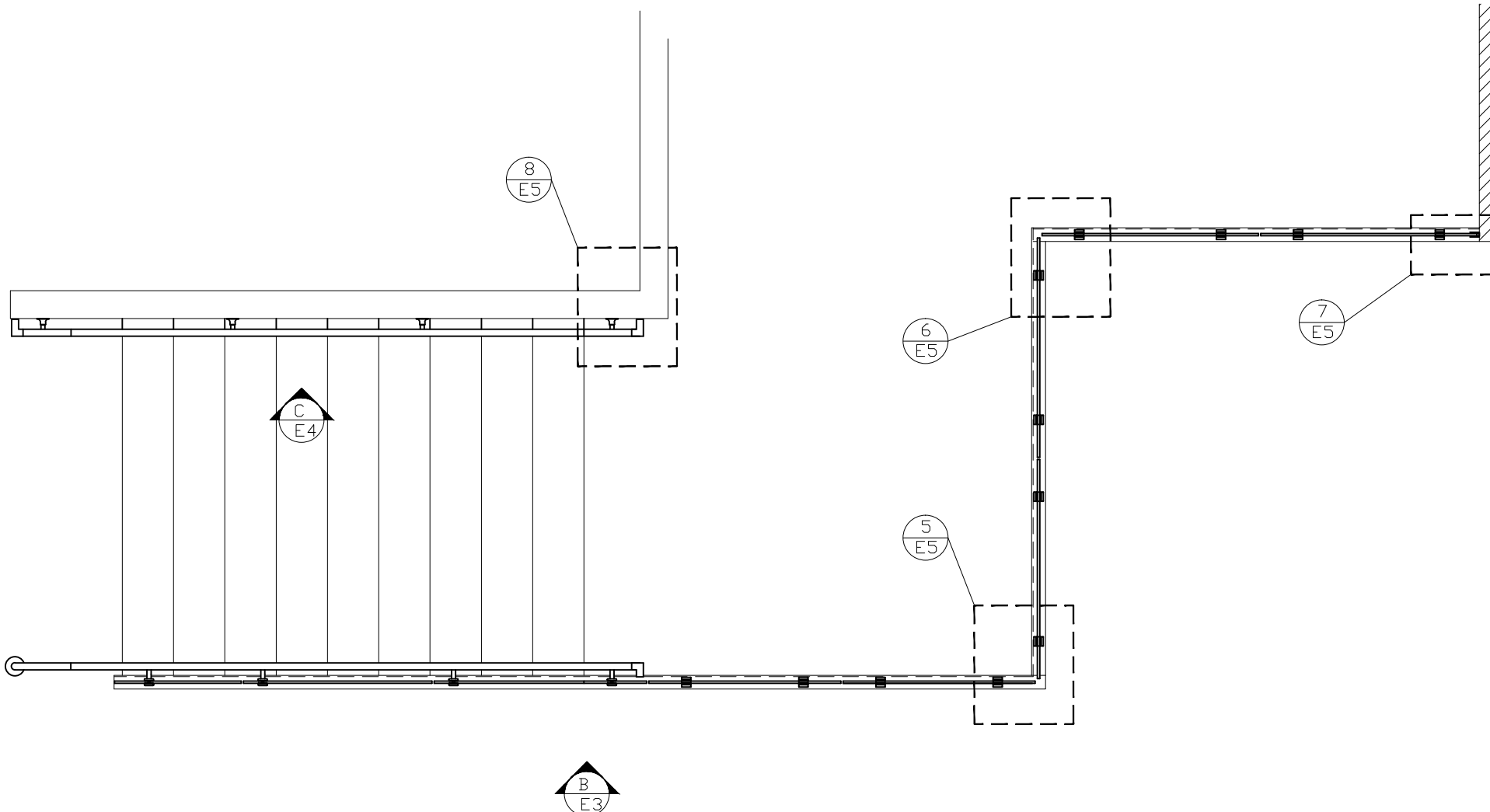
DESCRIPTION: VISIO RAILING PRODUCT  
DATA, ELEVATION DETAIL

DATE DRAWN  
07/24/14

PIECE MARK  
-

DRAWN BY  
BB

SHEET NUMBER  
E1 OF E7



A PLAN VIEW  
E2 SCALE: 3/8" = 1'



**VIVA RAILINGS, LLC**  
 1454 HALSEY WAY  
 CARROLLTON, TX 75007  
 P: 972-353-8482  
 F: 972-353-0013  
 e: info@vivarailings.com  
 www.vivarailings.com

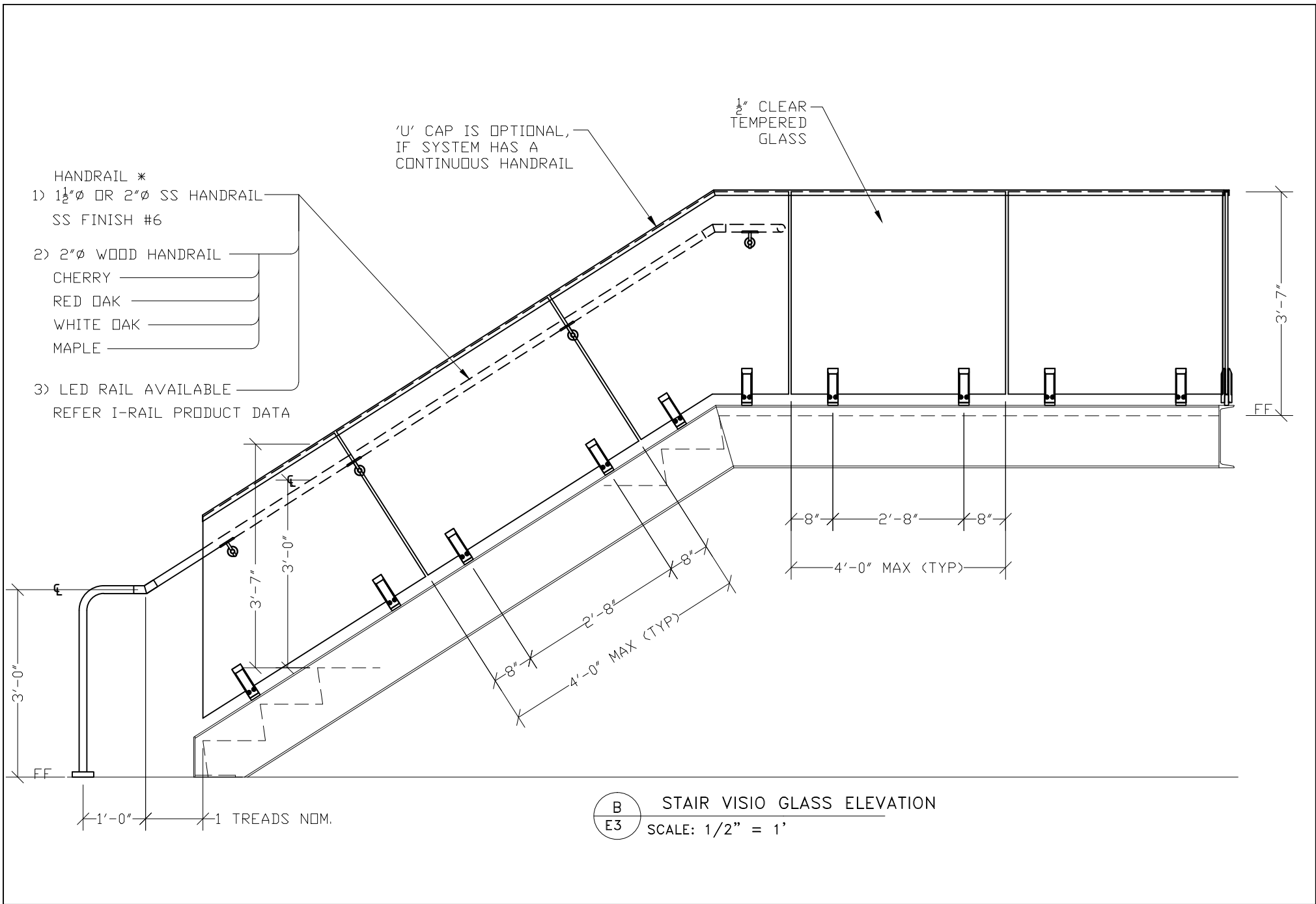
DESCRIPTION: VISIO RAILING PRODUCT  
 DATA, PLAN VIEW

DATE DRAWN  
 07/24/14

PIECE MARK  
 -

DRAWN BY  
 BB

SHEET NUMBER  
 E2 OF E7



VIVA RAILINGS, LLC  
1454 HALSEY WAY  
CARROLLTON, TX 75007  
P: 972-353-8482  
F: 972-353-0013  
e: info@vivarailings.com  
www.vivarailings.com

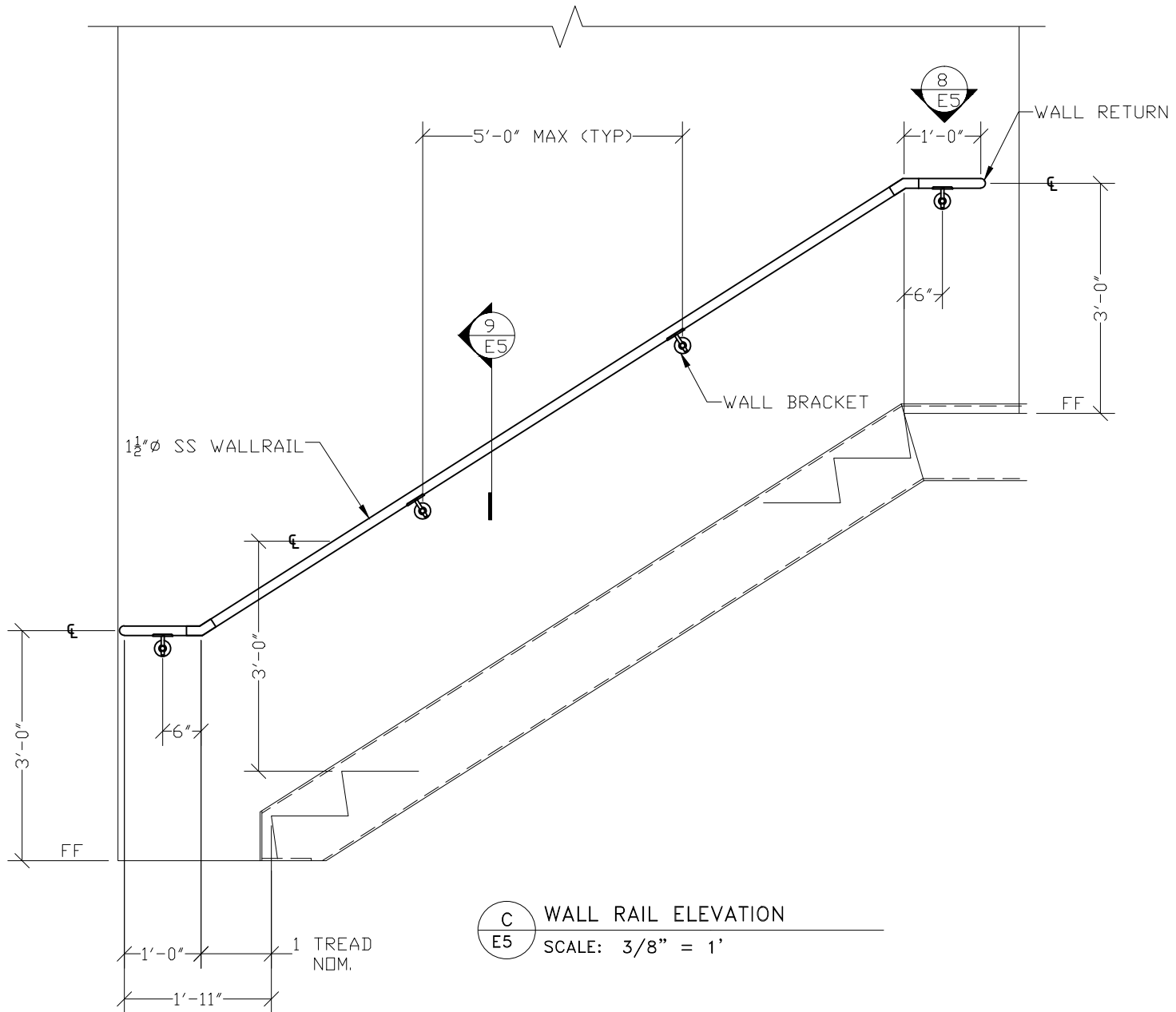
DESCRIPTION: VISIO RAILING PRODUCT  
DATA, STAIR ELEVATION

DATE DRAWN  
07/24/14

PIECE MARK

DRAWN BY  
BB

SHEET NUMBER  
E3 OF E7



C WALL RAIL ELEVATION  
E5 SCALE: 3/8" = 1'



VIVA RAILINGS, LLC  
1454 HALSEY WAY  
CARROLLTON, TX 75007  
P: 972-353-8482  
F: 972-353-0013  
e: info@vivarailings.com  
www.vivarailings.com

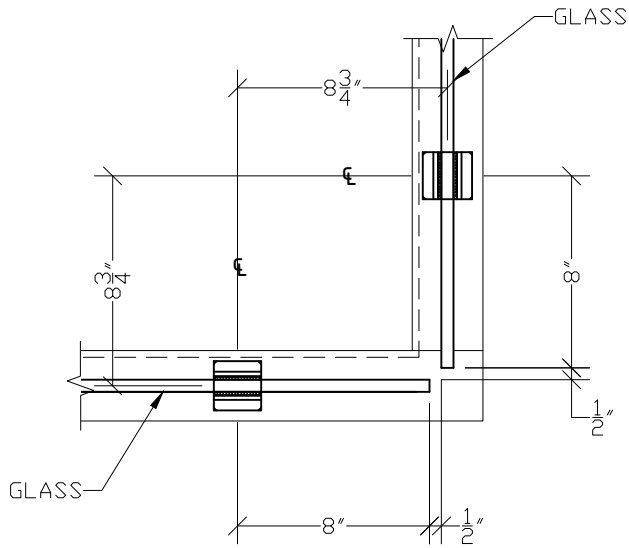
DESCRIPTION: VISIO RAILING PRODUCT  
DATA, WALL RAIL ELEVATION

DATE DRAWN  
07/24/14

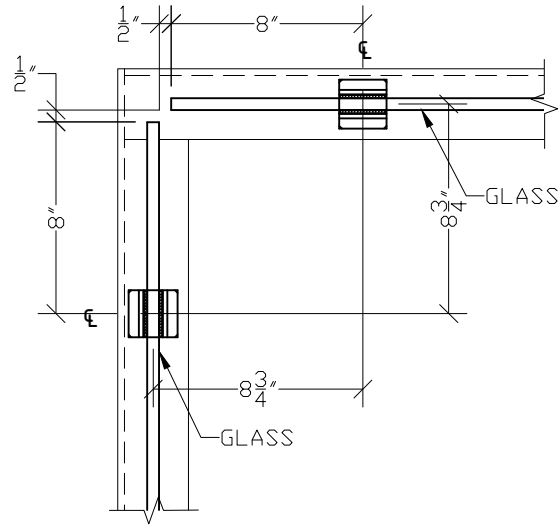
PIECE MARK  
-

DRAWN BY  
BB

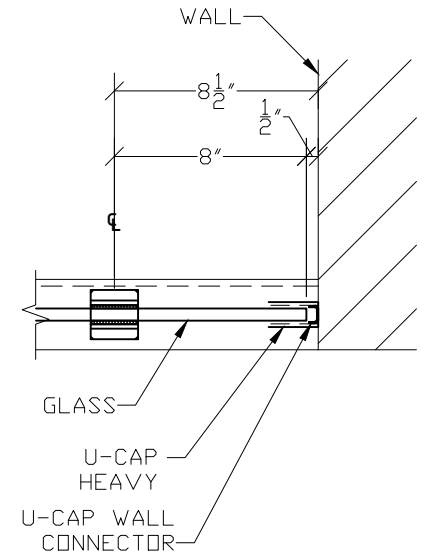
SHEET NUMBER  
E4 OF E7



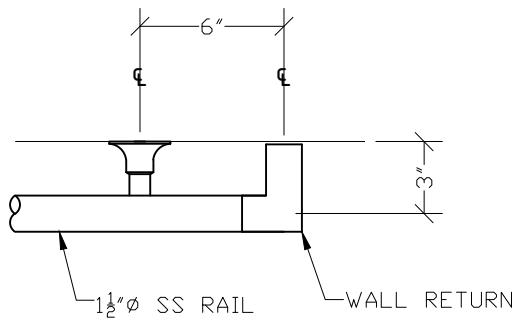
5 INSIDE CORNER  
E5 SCALE: 1 1/2" = 1'



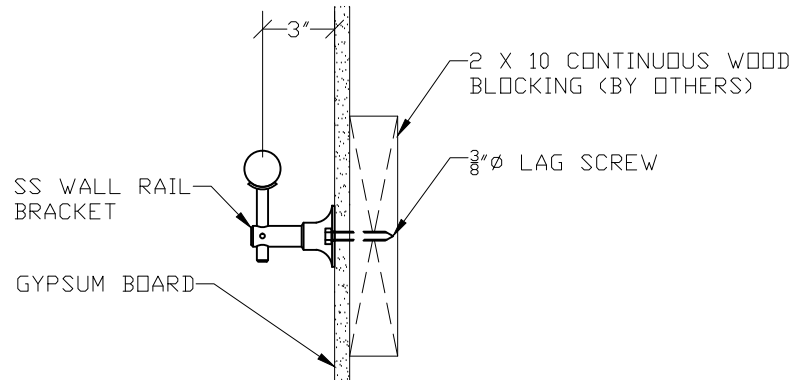
6 OUTSIDE CORNER  
E5 SCALE: 1 1/2" = 1'



7 END CONDITION  
E5 SCALE: 1 1/2" = 1'



8 WALL BRACKET & RETURN PLAN  
E5 SCALE: 1 1/2" = 1'



9 WALL BRACKET SECTION  
E5 SCALE: 1 1/2" = 1'



VIVA RAILINGS, LLC  
1454 HALSEY WAY  
CARROLLTON, TX 75007  
P: 972-353-8482  
F: 972-353-0013  
e: info@vivarailings.com  
www.vivarailings.com

DESCRIPTION: VISIO RAILING PRODUCT  
DATA, PLAN DETAIL

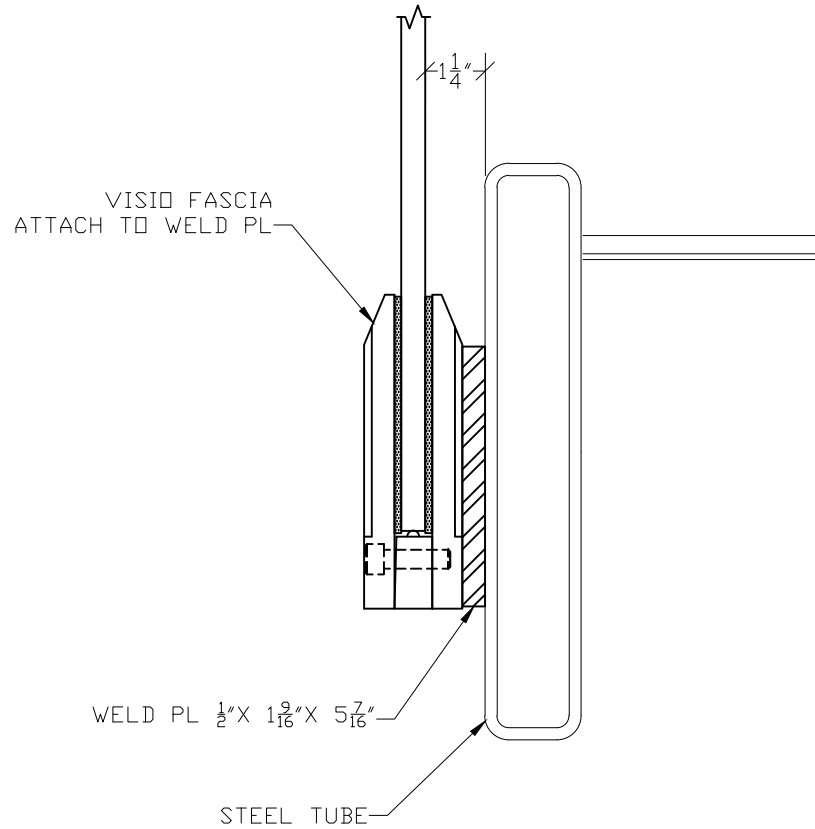
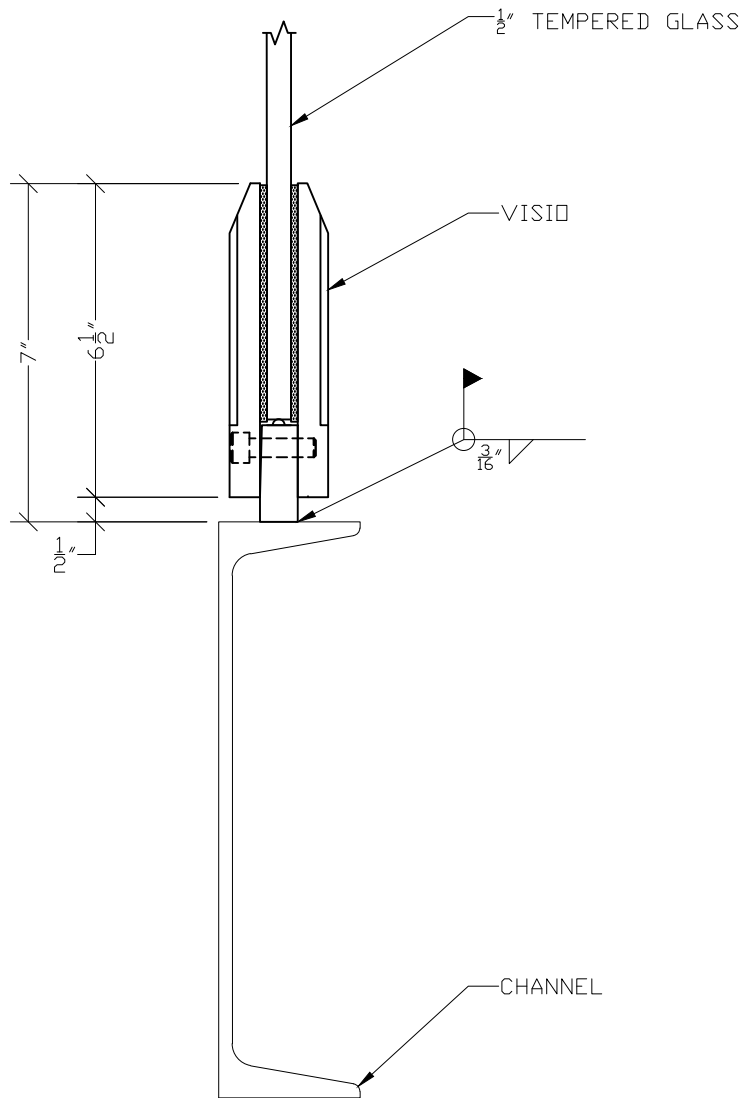
DATE DRAWN  
07/24/14

PIECE MARK  
-

DRAWN BY  
BB

SHEET NUMBER  
E5 OF E7

# STEEL MOUNTING DETAIL



11 TOP MOUNT @ STEEL CHANNEL  
E6 SCALE: NOT TO SCALE

12 FASCIA MOUNT @ STEEL TUBE  
E6 SCALE: NOT TO SCALE



VIVA RAILINGS, LLC  
1454 HALSEY WAY  
CARROLLTON, TX 75007  
P: 972-353-8482  
F: 972-353-0013  
e: info@vivarailings.com  
www.vivarailings.com

DESCRIPTION: VISIO RAILING PRODUCT  
DATA, MOUNTING OPTION

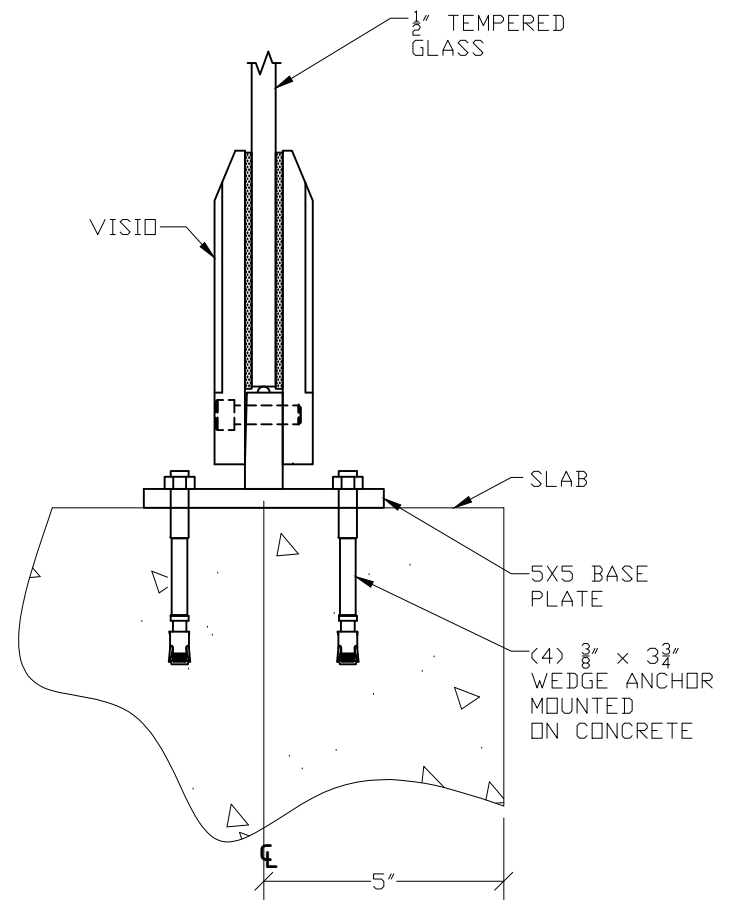
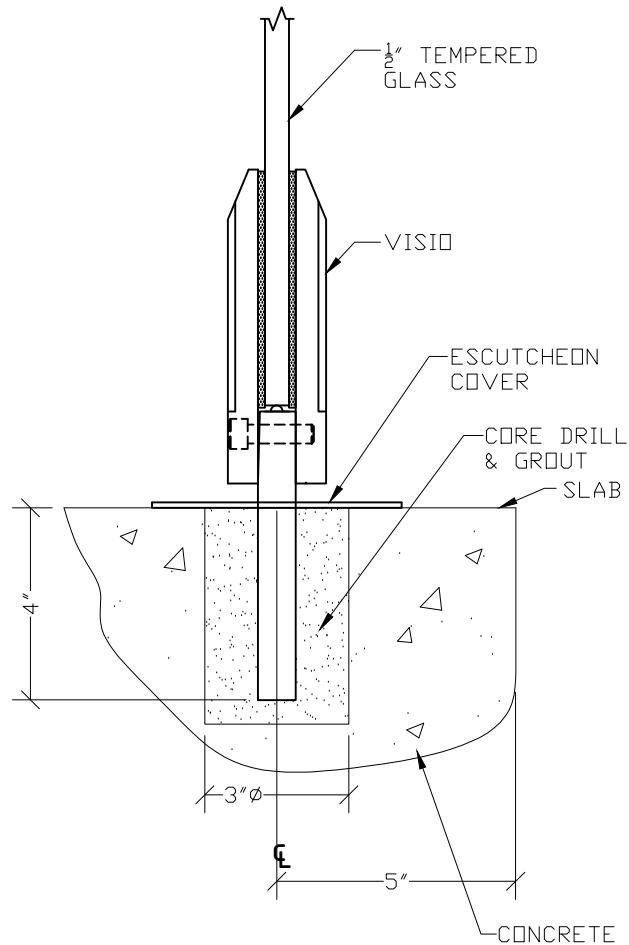
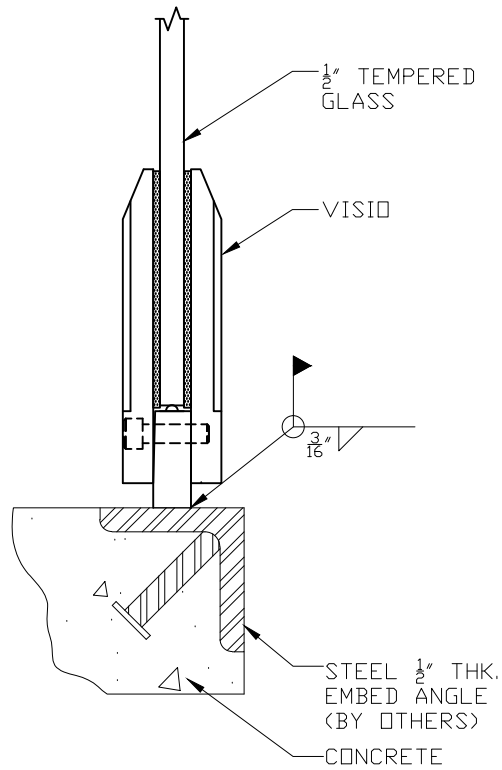
DATE DRAWN  
07/24/14

PIECE MARK  
-

DRAWN BY  
BB

SHEET NUMBER  
E6 OF E7

# CONCRETE MOUNTING DETAIL



13 EDGE OF CONCRETE MOUNT  
E7 SCALE: NOT TO SCALE

14 TOP MOUNT CORE DRILL & GROUT  
E7 SCALE: NOT TO SCALE

15 TOP MOUNT TO BASE PLATE  
E7 SCALE: NOT TO SCALE



VIVA RAILINGS, LLC  
1454 HALSEY WAY  
CARROLLTON, TX 75007  
P: 972-353-8482  
F: 972-353-0013  
e: info@vivarailings.com  
www.vivarailings.com

DESCRIPTION: VISIO RAILING PRODUCT  
DATA, MOUNTING OPTIONS

DATE DRAWN  
07/24/14

PIECE MARK  
-

DRAWN BY  
BB

SHEET NUMBER  
E7 OF E7