

VIVA VIEW RAILING SYSTEM

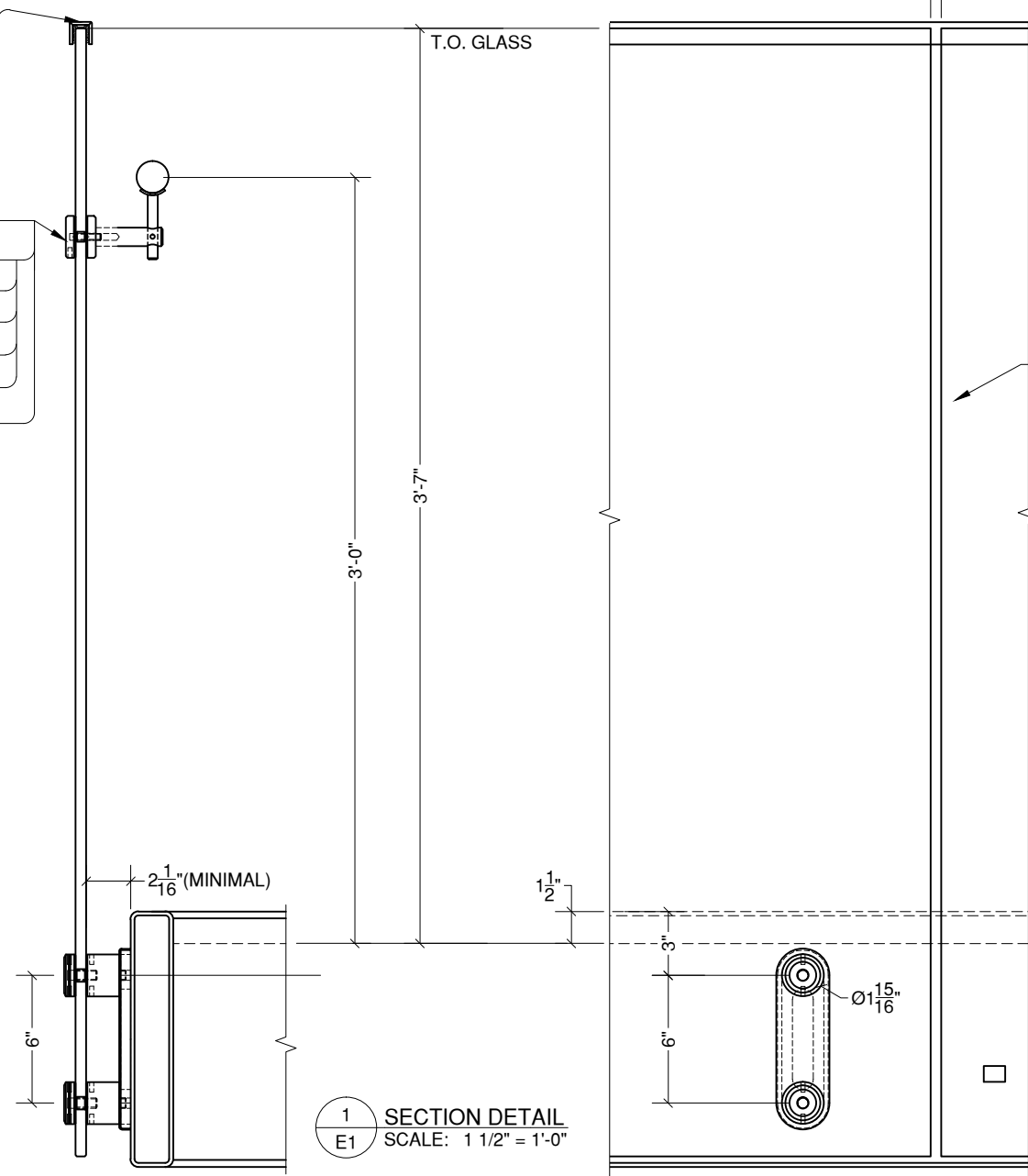
± 1/2" GAP (NOMINAL)

U-CAP REQUIRED
IF SYSTEM DOES NOT
HAVE A HANDRAIL

- * OPTIONAL CAPS
- 1) SS 'U' CAP
 - 2) SS 1 1/2" Ø CAP
 - 3) SS 1 1/2" Ø LED CAP

- * HANDRAIL STAIR ONLY
- 1) 1 1/2" Ø OR 2" Ø SS HANDRAIL
 - 2) 2" Ø WOOD HANDRAIL
 - CHERRY WOOD
 - RED OAK
 - WHITE OAK
 - MAPLE WOOD
 - 3) 1 1/2" Ø LED RAIL

MOUNTING OPTIONS	
STEEL TUBE FASCIA W/ BACK PLATE	E9
CONCRETE FASCIA VIA EMBED PLATE W/ BACK PLATE	E10
CONCRETE FASCIA NO BACK PLATE	E11
STEEL TUBE FASCIA NO BACK PLATE	E11



- 1/2" -or- 3/4" MONOLITHIC GLASS
- CLEAR, TEMPERED
 - PVB LAMINATE
 - SGP LAMINATE
 - OTHERS AVAILABLE BY REQUEST
(tint, ceramic frit, printed patterns, etc.)

For more info:
www.vivarailings.com
(972) 353-8482

1 SECTION DETAIL
E1 SCALE: 1 1/2" = 1'-0"

2 ELEVATION DETAIL
E1 SCALE: 1 1/2" = 1'-0"

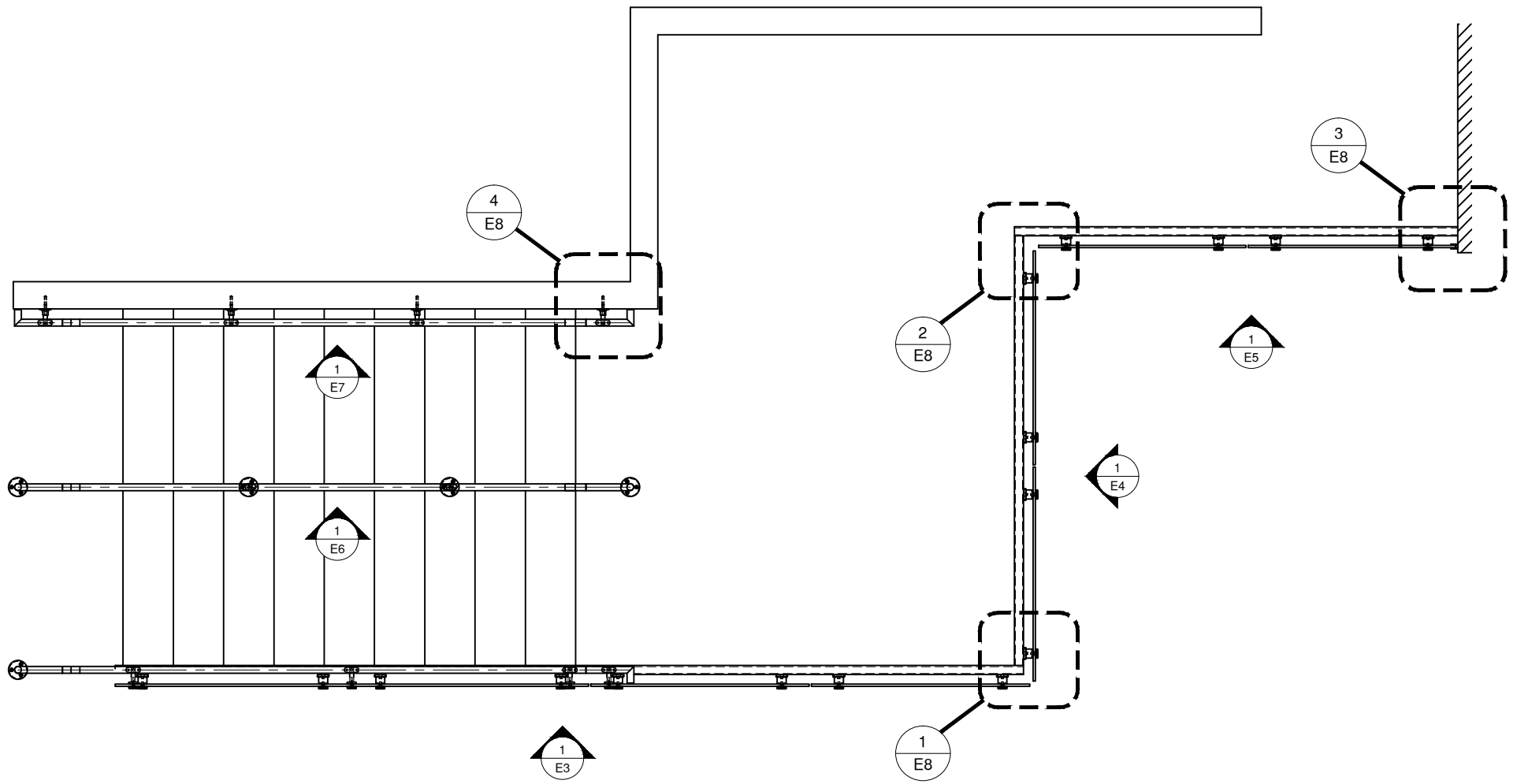


VIVA RAILINGS, LLC
1454 HALSEY WAY
CARROLLTON, TX 75007
P: 972-353-8482
F: 972-353-0013
e: info@vivarailings.com
www.vivarailings.com

DESCRIPTION: VIVA VIEW SYSTEM
PRODUCT DATA
—
—

DATE DRAWN
06/13/16
PIECE MARK
—

DRAWN BY
JCM
SHEET NUMBER
E1 OF E16



1 PLAN - STAIR 1
E2 SCALE: 3/8" = 1'-0"



VIVA RAILINGS, LLC
1454 HALSEY WAY
CARROLLTON, TX 75007
P: 972-353-8482
F: 972-353-0013
e: info@vivarailings.com
www.vivarailings.com

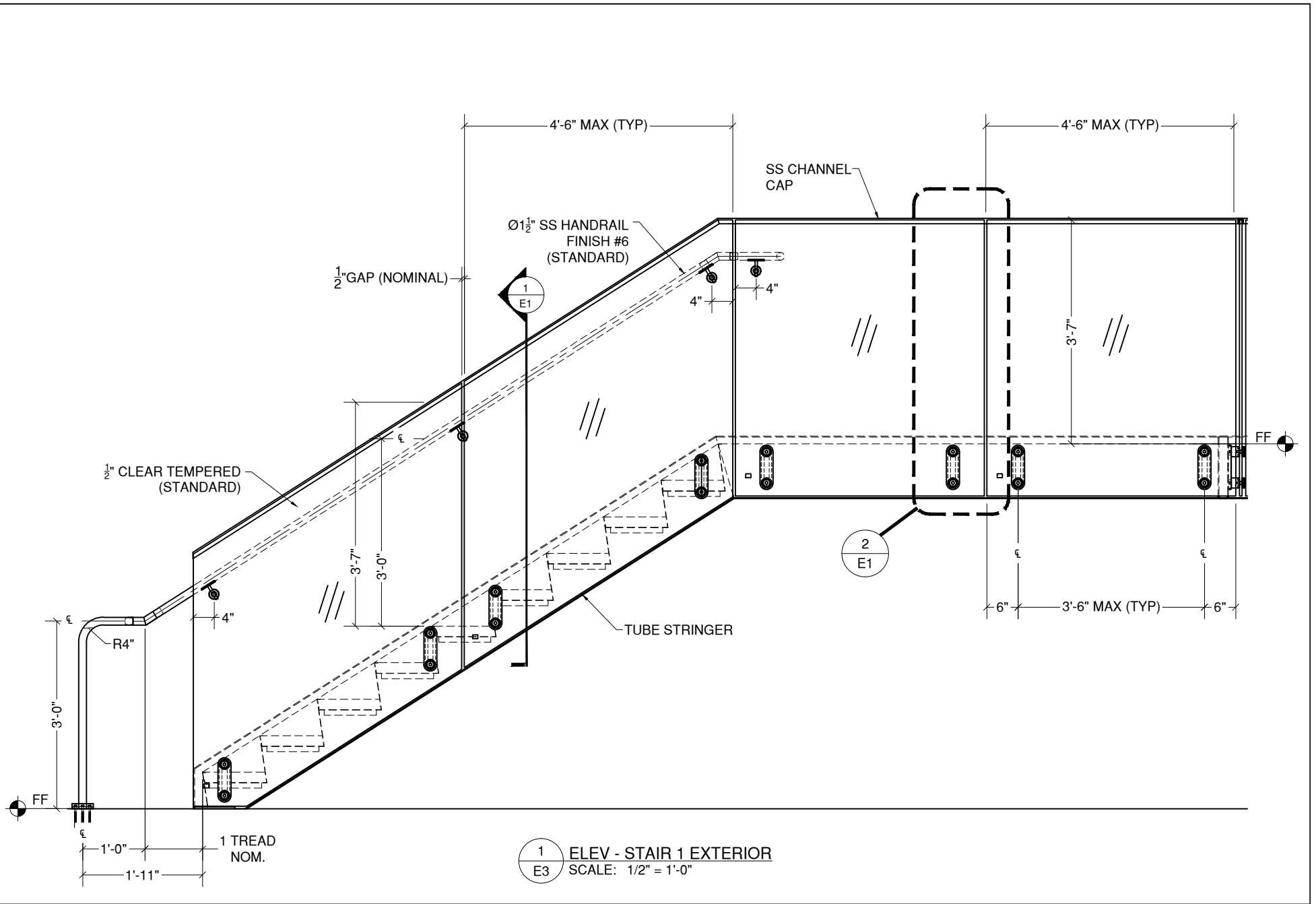
DESCRIPTION: VIVA VIEW SYSTEM
PRODUCT DATA

DATE DRAWN
06/13/16

PIECE MARK
-

DRAWN BY
JCM

SHEET NUMBER
E2 OF E16

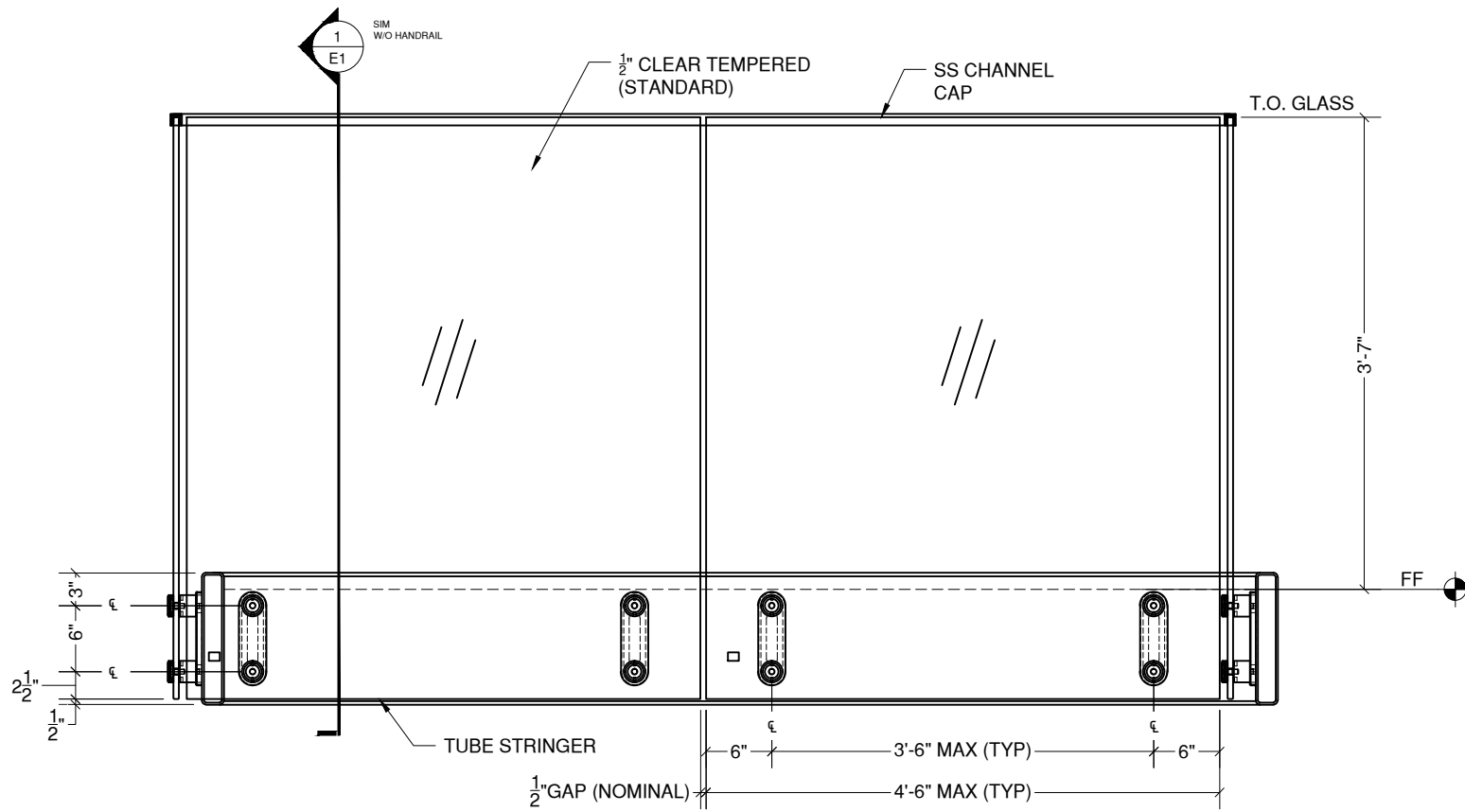


VIVA RAILINGS, LLC
1454 HALSEY WAY
CARROLLTON, TX 75007
P: 972-353-8482
F: 972-353-0013
e: info@vivarailings.com
www.vivarailings.com

DESCRIPTION: VIVA VIEW SYSTEM
PRODUCT DATA
—
—

DATE DRAWN
06/13/16
PIECE MARK
—

DRAWN BY
JCM
SHEET NUMBER
E3 OF E16



1 ELEV - WALKWAY 1
E4 SCALE: 3/4" = 1'-0"

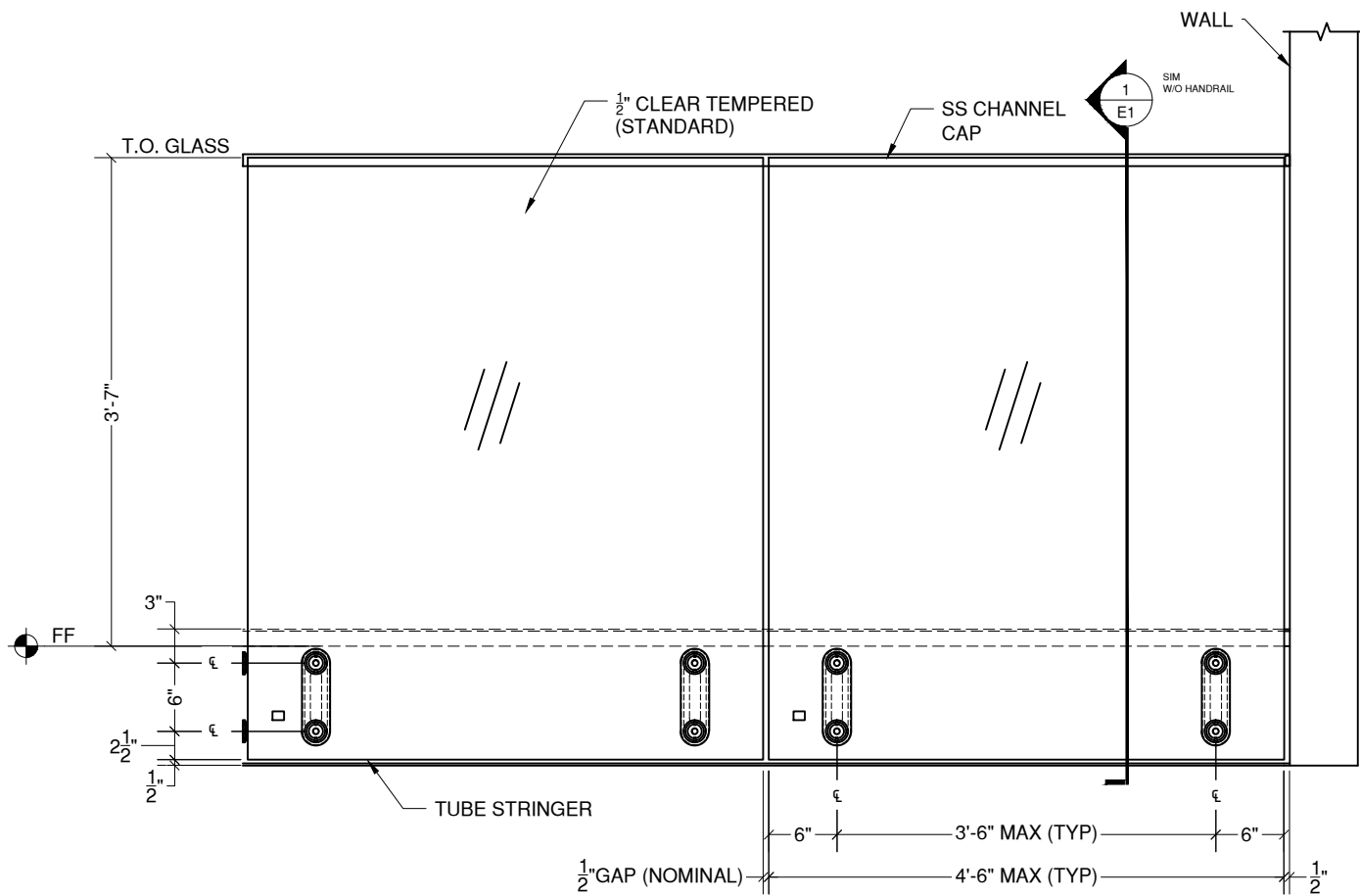


VIVA RAILINGS, LLC
1454 HALSEY WAY
CARROLLTON, TX 75007
P: 972-353-8482
F: 972-353-0013
e: info@vivarailings.com
www.vivarailings.com

DESCRIPTION: VIVA VIEW SYSTEM
PRODUCT DATA
—
—

DATE DRAWN
06/13/16
PIECE MARK
—

DRAWN BY
JCM
SHEET NUMBER
E4 OF E16



1 ELEV - WALKWAY 2
E5 SCALE: 3/4" = 1'-0"

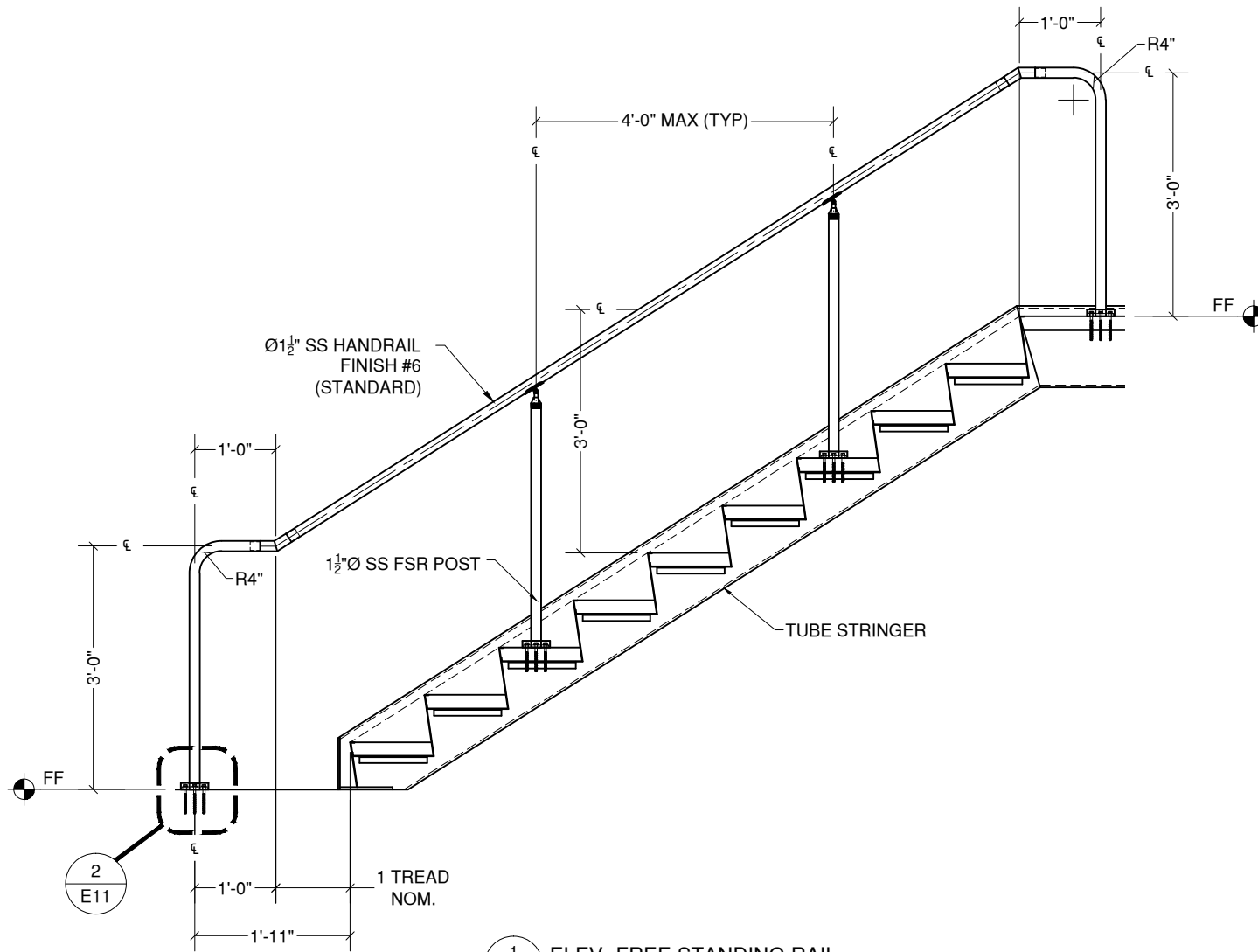


VIVA RAILINGS, LLC
1454 HALSEY WAY
CARROLLTON, TX 75007
P: 972-353-8482
F: 972-353-0013
e: info@vivarailings.com
www.vivarailings.com

DESCRIPTION: VIVA VIEW SYSTEM
PRODUCT DATA
—
—

DATE DRAWN
06/13/16
PIECE MARK
—

DRAWN BY
JCM
SHEET NUMBER
E5 OF E16



1 ELEV- FREE STANDING RAIL
E6 SCALE: 1/2" = 1'-0"



VIVA RAILINGS, LLC
1454 HALSEY WAY
CARROLLTON, TX 75007
P: 972-353-8482
F: 972-353-0013
e: info@vivarailings.com
www.vivarailings.com

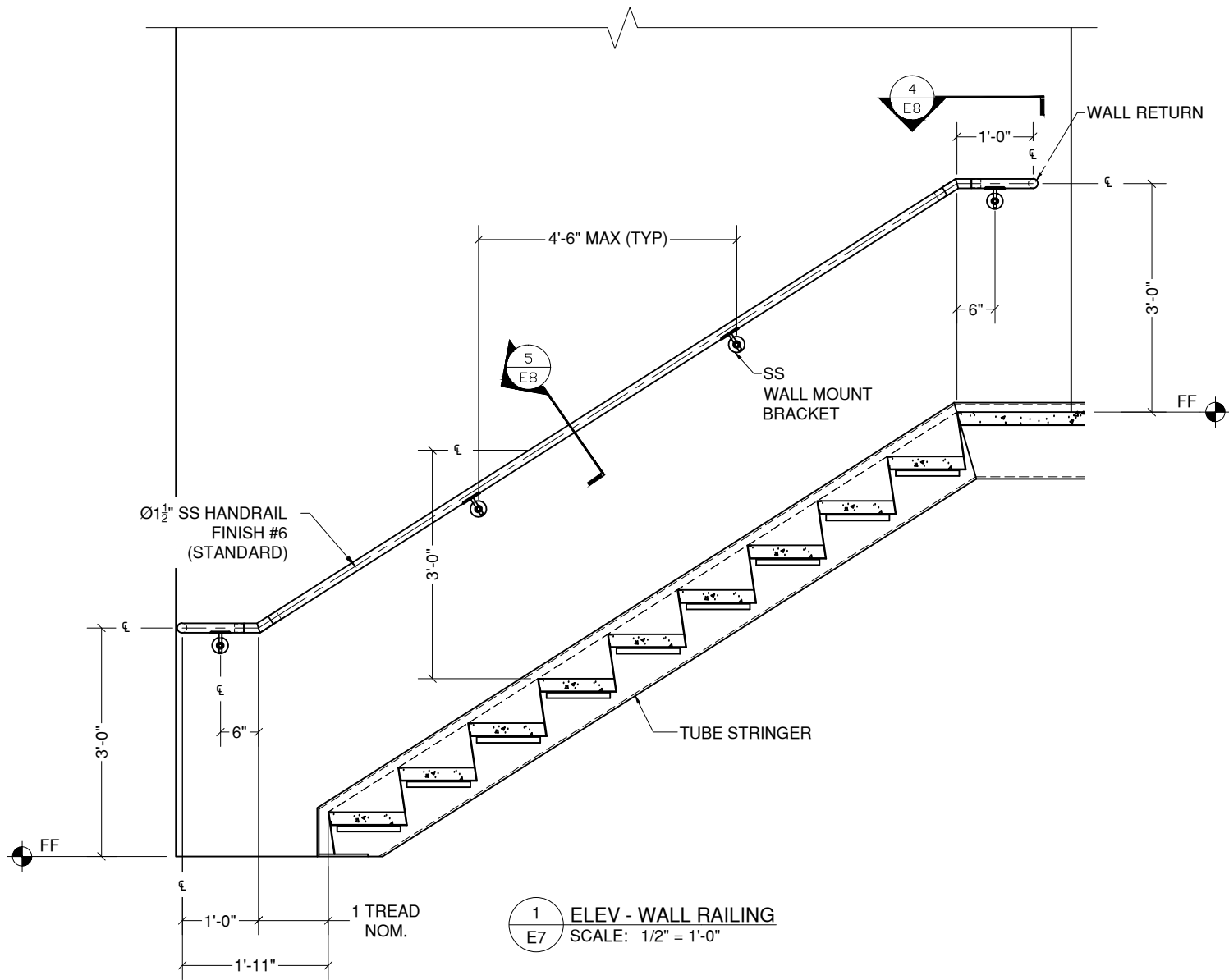
DESCRIPTION: VIVA VIEW SYSTEM
PRODUCT DATA

DATE DRAWN
06/13/16

PIECE MARK
-

DRAWN BY
JCM

SHEET NUMBER
E6 OF E16



1 ELEV - WALL RAILING
 E7 SCALE: 1/2" = 1'-0"



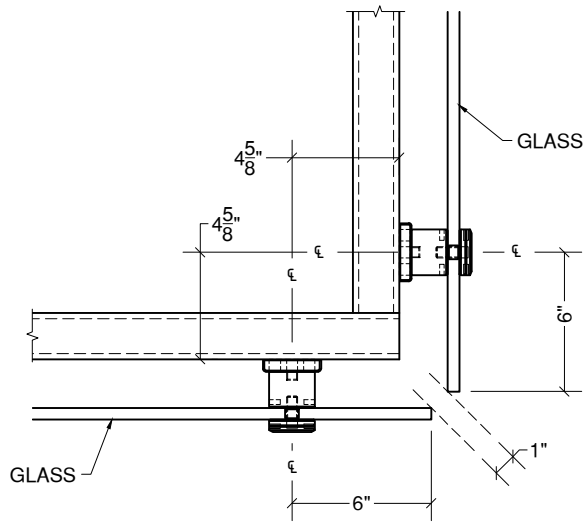
VIVA RAILINGS, LLC
 1454 HALSEY WAY
 CARROLLTON, TX 75007
 P: 972-353-8482
 F: 972-353-0013
 e: info@vivarailings.com
 www.vivarailings.com

DESCRIPTION: VIVA VIEW SYSTEM
 PRODUCT DATA
 —
 —

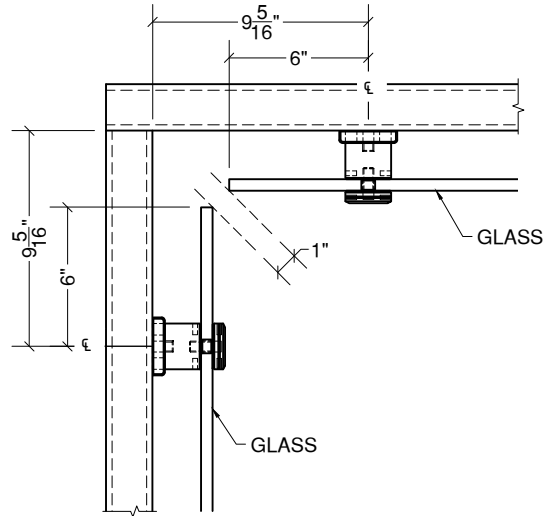
DATE DRAWN
 06/13/16
 PIECE MARK
 —

DRAWN BY
 JCM
 SHEET NUMBER
 E7 OF E16

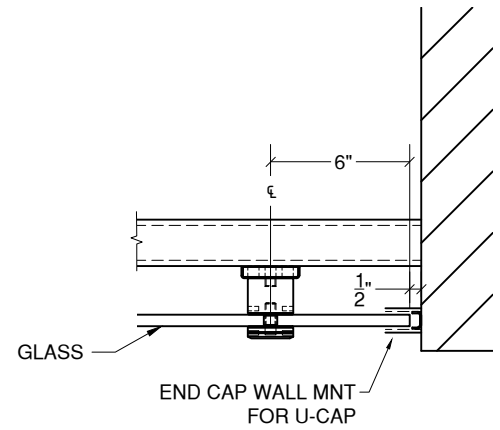
GLASS CORNER & WALL BRACKET MOUNTING DETAILS



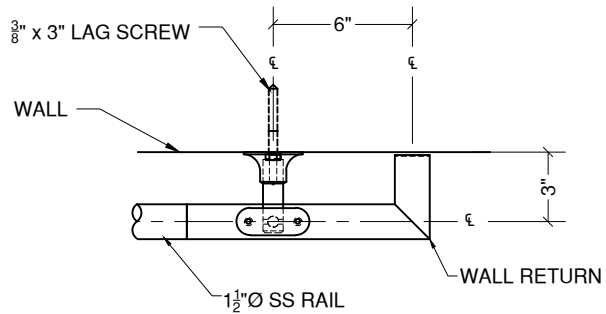
1 DETAIL - INSIDE CORNER
E8 SCALE: 1 1/2" = 1'-0"



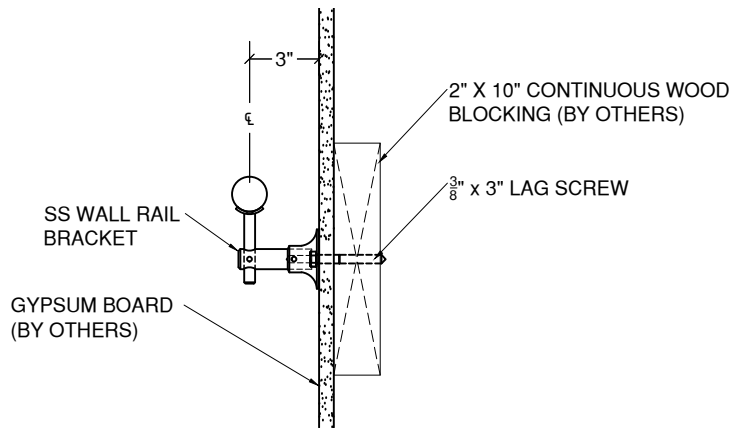
2 DETAIL - OUTSIDE CORNER
E8 SCALE: 1 1/2" = 1'-0"



3 DETAIL - END CONDITION
E8 SCALE: 1 1/2" = 1'-0"



4 DETAIL - WALL BRACKET W/ RETURN
E8 SCALE: 1 1/2" = 1'-0"



5 SECT - WALL RAIL BRACKET
E8 SCALE: 1 1/2" = 1'-0"



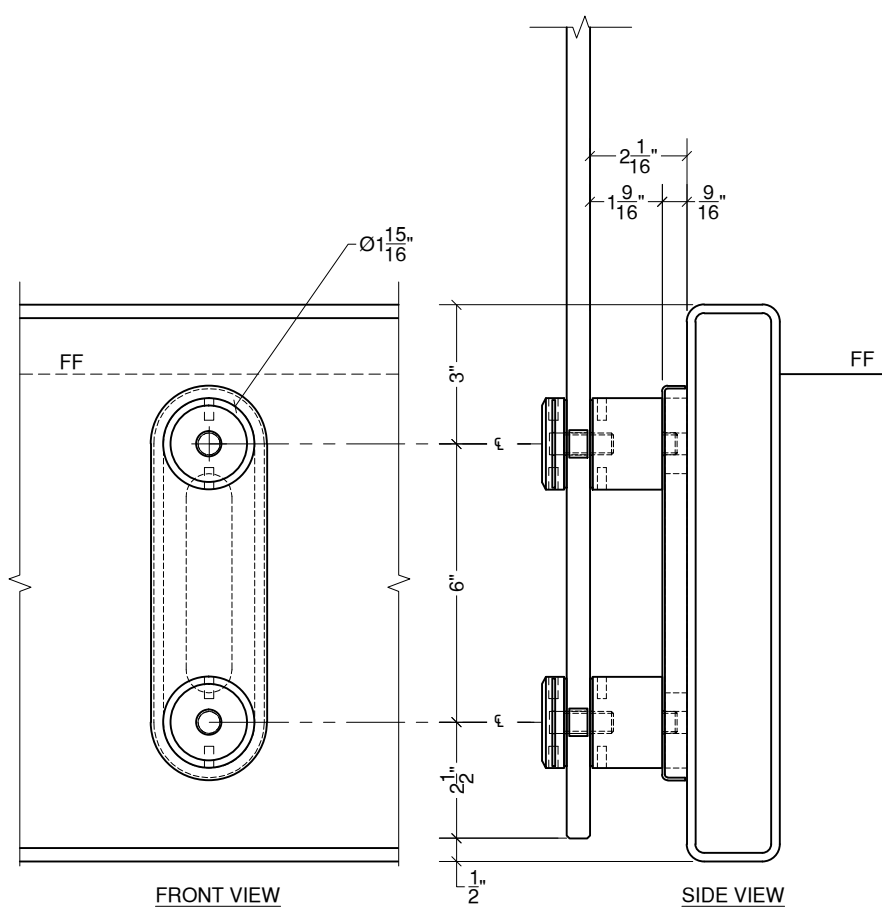
VIVA RAILINGS, LLC
1454 HALSEY WAY
CARROLLTON, TX 75007
P: 972-353-8482
F: 972-353-0013
e: info@vivarailings.com
www.vivarailings.com

DESCRIPTION: VIVA VIEW SYSTEM
PRODUCT DATA
—
—

DATE DRAWN
06/13/16
PIECE MARK
—

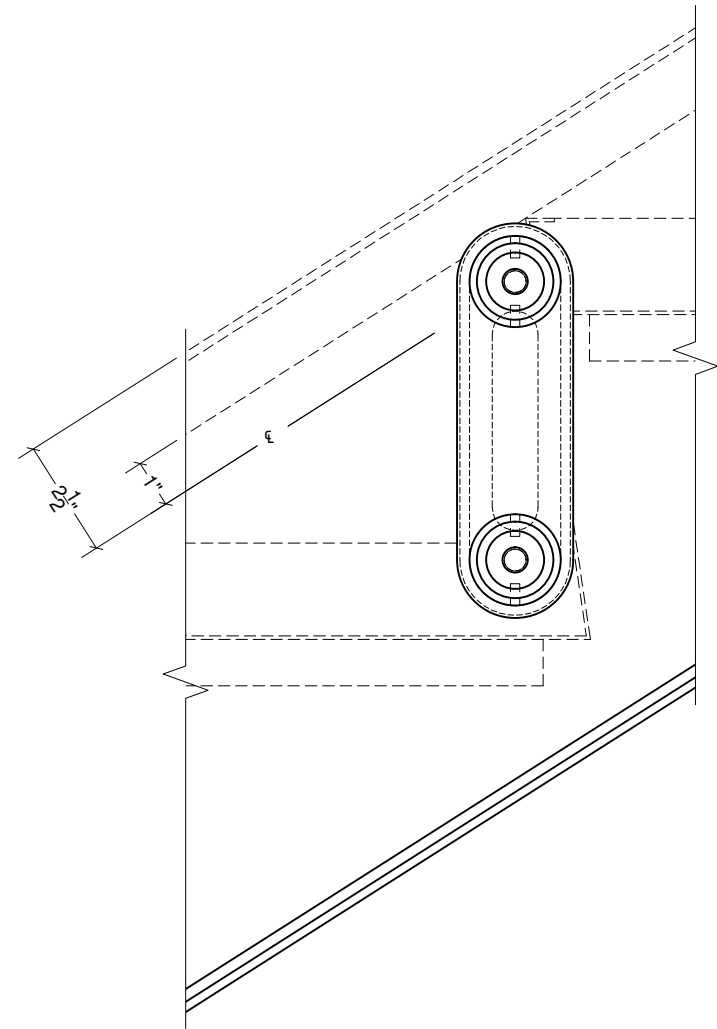
DRAWN BY
JCM
SHEET NUMBER
E8 OF E16

STEEL TUBE FASCIA MOUNTING DETAIL W/BACK PLATE



FRONT VIEW

SIDE VIEW



1
E9 **DETAIL - FASCIA MOUNT @ STEEL TUBE**
SCALE: 3" = 1'-0"

2
E9 **DETAIL - FASCIA MOUNT @ STEEL TUBE**
SCALE: 3" = 1'-0"



VIVA RAILINGS, LLC
1454 HALSEY WAY
CARROLLTON, TX 75007
P: 972-353-8482
F: 972-353-0013
e: info@vivarailings.com
www.vivarailings.com

DESCRIPTION: VIVA VIEW SYSTEM
PRODUCT DATA

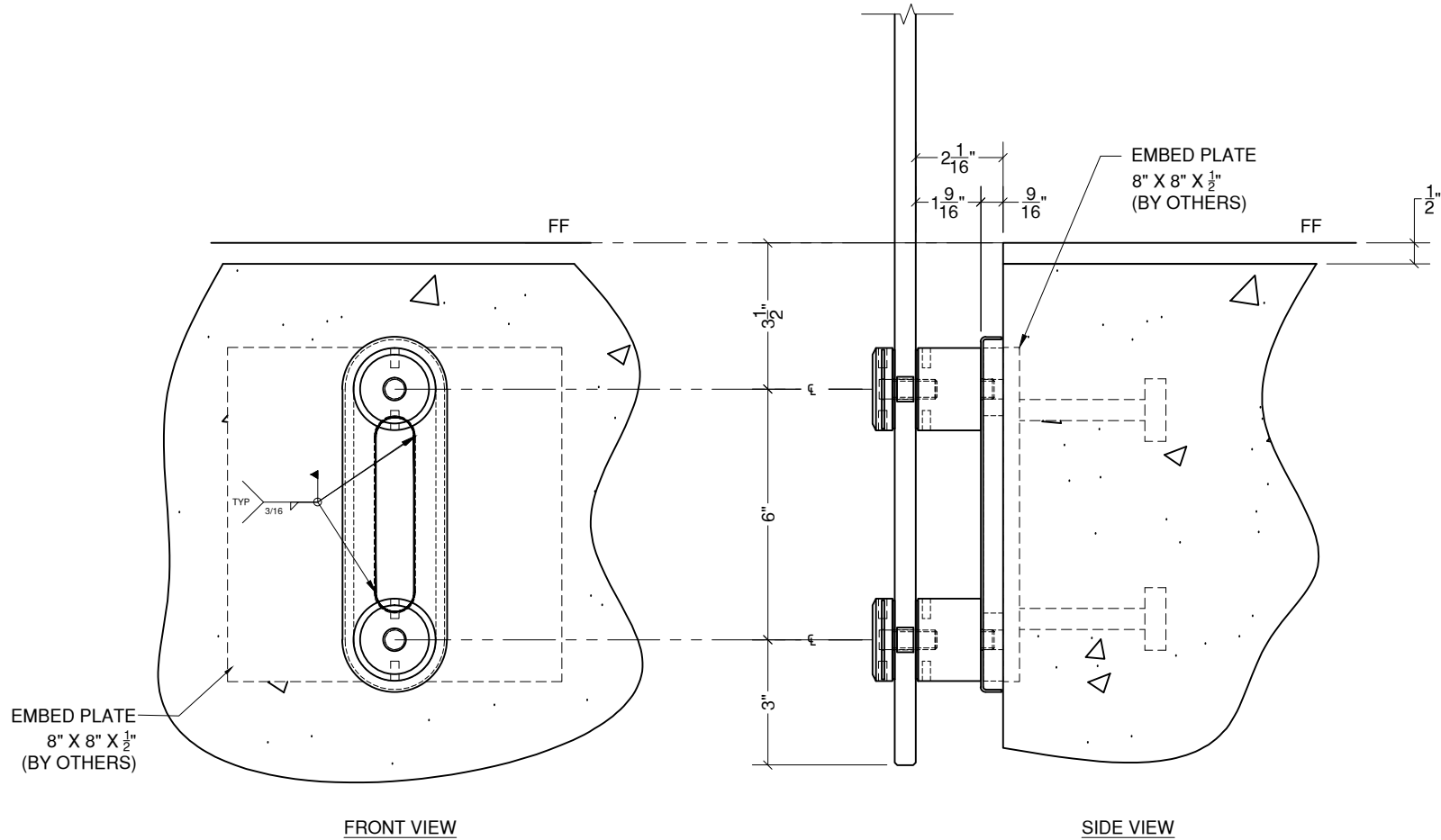
DATE DRAWN
06/13/16

PIECE MARK
-

DRAWN BY
JCM

SHEET NUMBER
E9 OF E16

CONCRETE FASCIA MOUNTING DETAIL W/BACK PLATE



1
E10

DETAIL - FASCIA MOUNT @ CONCRETE EMBED PLATE
SCALE: 3" = 1'-0"



VIVA RAILINGS, LLC
 1454 HALSEY WAY
 CARROLLTON, TX 75007
 P: 972-353-8482
 F: 972-353-0013
 e: info@vivarailings.com
 www.vivarailings.com

DESCRIPTION: VIVA VIEW SYSTEM
 PRODUCT DATA

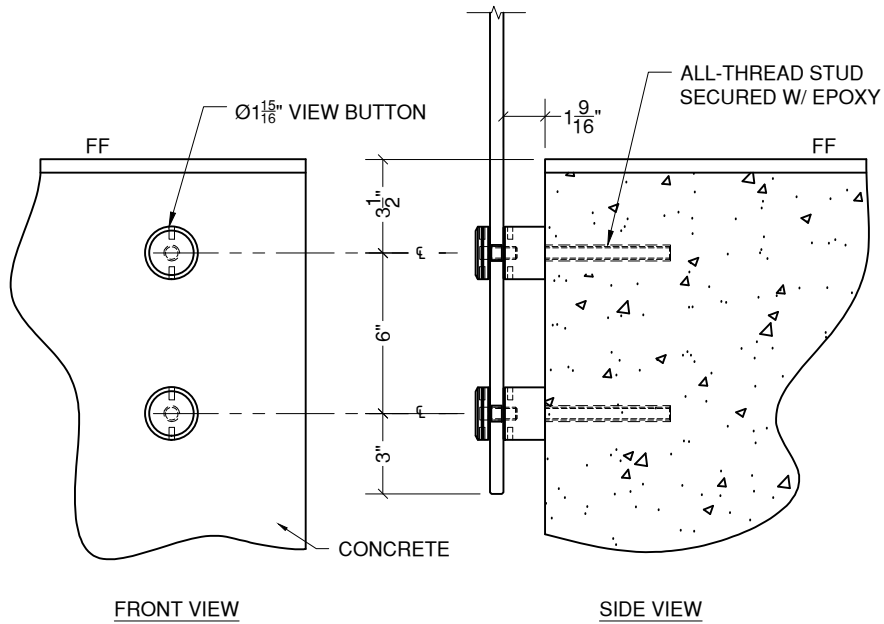
DATE DRAWN
 06/13/16

PIECE MARK
 -

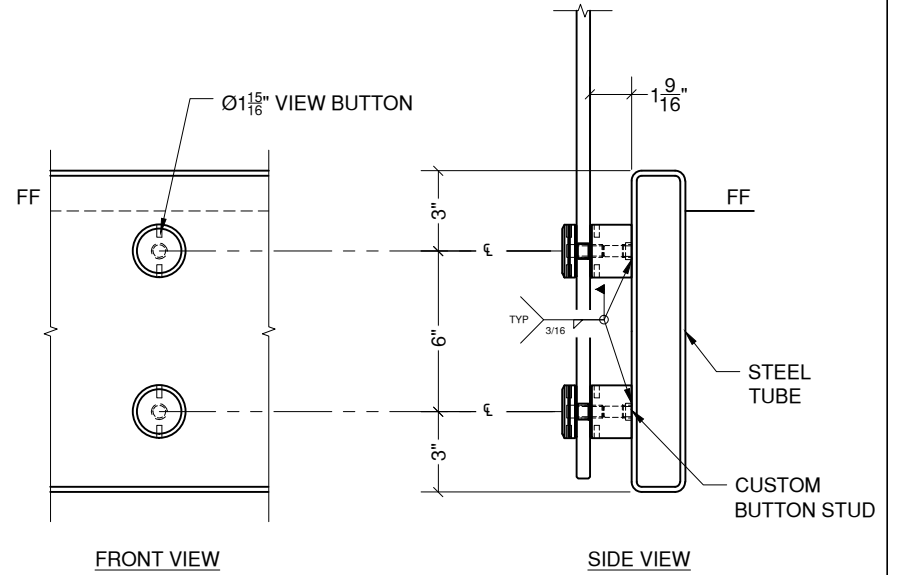
DRAWN BY
 JCM

SHEET NUMBER
 E10 OF E16

MOUNTING DETAIL - WITHOUT BACK PLATE



1
E11
DETAIL - FASCIA MOUNT W/O BACKPLATE | CONCRETE
 SCALE: 3" = 1'-0"



2
E11
DETAIL - FASCIA MOUNT W/O BACKPLATE | STEEL
 SCALE: 3" = 1'-0"



VIVA RAILINGS, LLC
 1454 HALSEY WAY
 CARROLLTON, TX 75007
 P: 972-353-8482
 F: 972-353-0013
 e: info@vivarailings.com
 www.vivarailings.com

DESCRIPTION: VIVA VIEW SYSTEM
 PRODUCT DATA

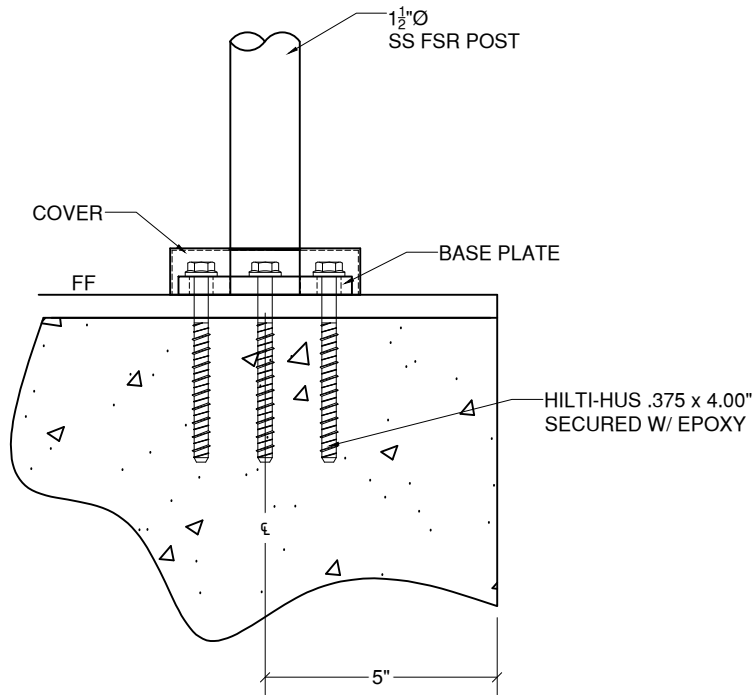
DATE DRAWN
 06/13/16

PIECE MARK
 —

DRAWN BY
 JCM

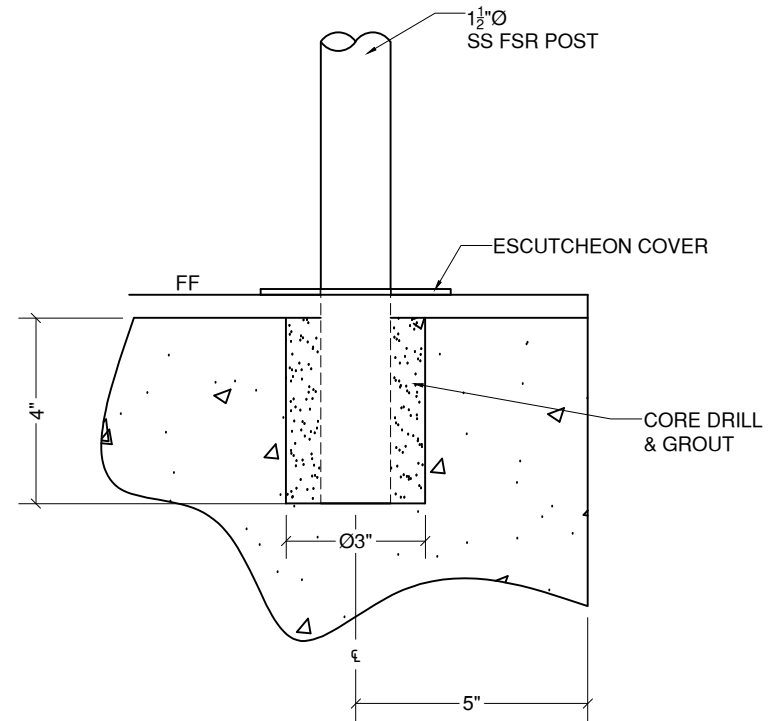
SHEET NUMBER
 E11 OF E16

CONCRETE -ANCHOR/CORE MOUNT DETAIL FREE STANDING RAIL



1
E12

DETAIL - FSR | ANCHOR MOUNT
SCALE: 3" = 1'-0"



2
E12

DETAIL - FSR | CORE MOUNT
SCALE: 3" = 1'-0"



VIVA RAILINGS, LLC
1454 HALSEY WAY
CARROLLTON, TX 75007
P: 972-353-8482
F: 972-353-0013
e: info@vivarailings.com
www.vivarailings.com

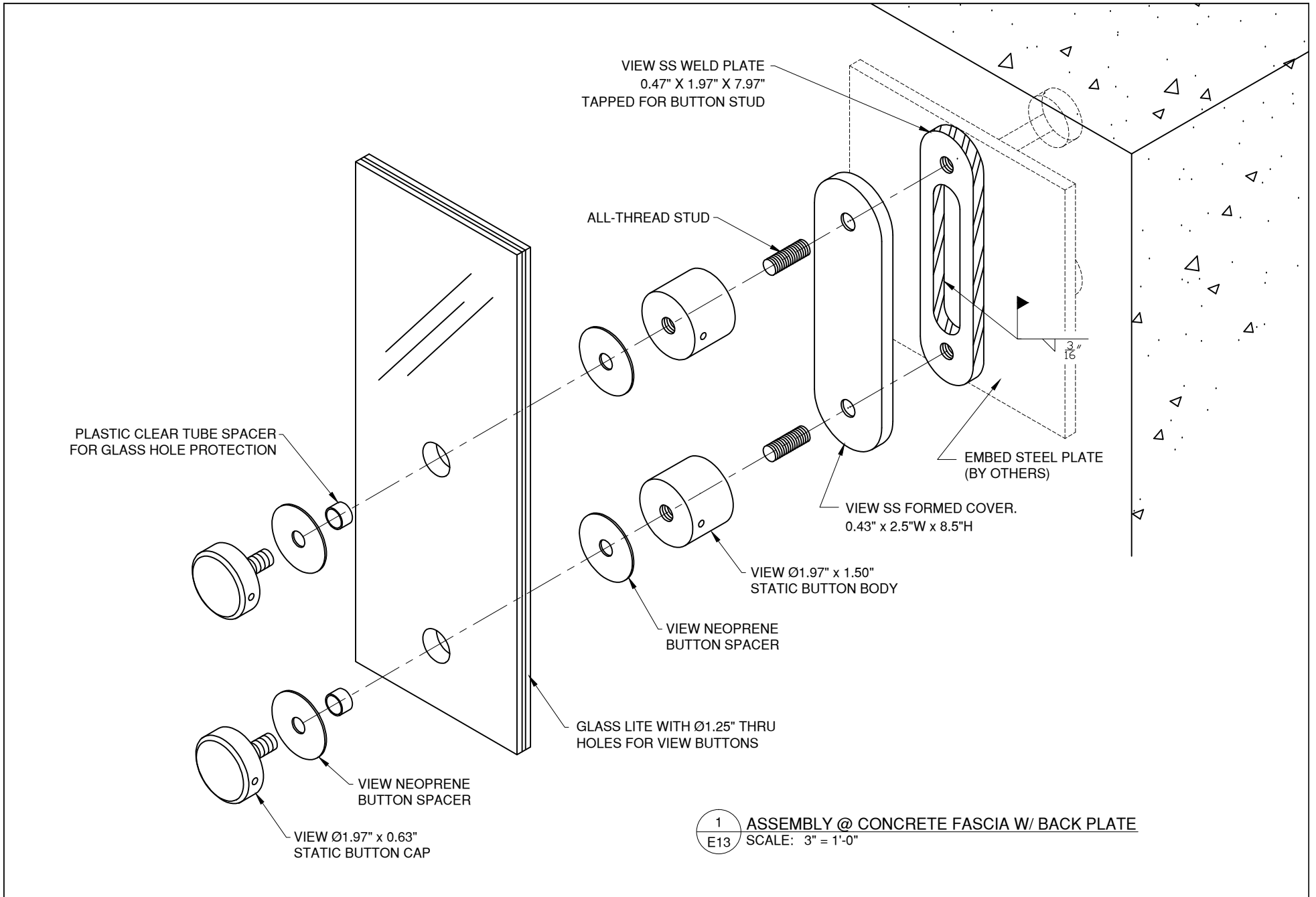
DESCRIPTION: VIVA VIEW SYSTEM
PRODUCT DATA

DATE DRAWN
06/13/16

PIECE MARK
-

DRAWN BY
JCM

SHEET NUMBER
E12 OF E16



VIVA RAILINGS, LLC
1454 HALSEY WAY
CARROLLTON, TX 75007
P: 972-353-8482
F: 972-353-0013
e: info@vivarailings.com
www.vivarailings.com

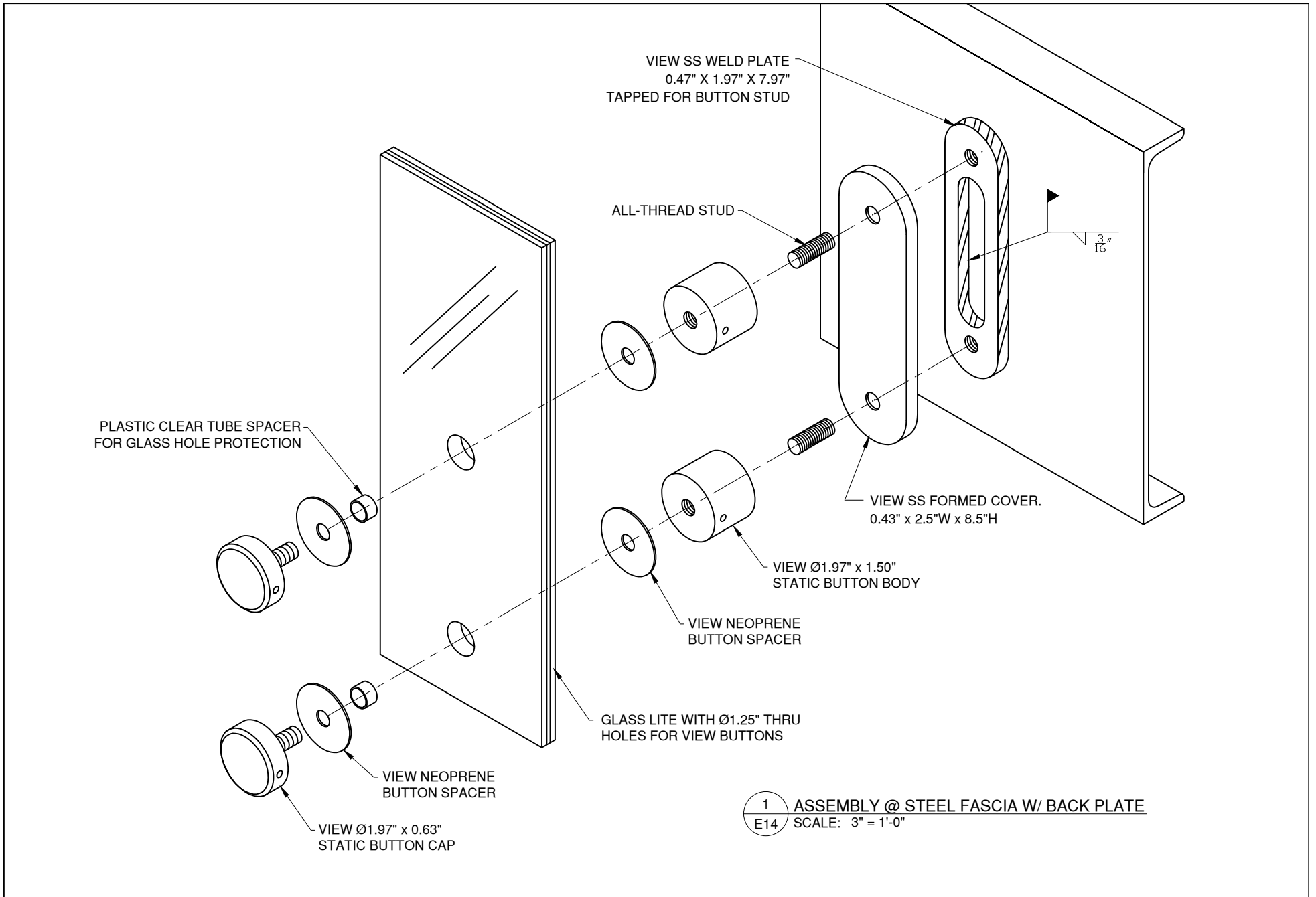
DESCRIPTION: VIVA VIEW SYSTEM
PRODUCT DATA

DATE DRAWN
06/13/16

PIECE MARK
-

DRAWN BY
JCM

SHEET NUMBER
E13 OF E16



VIVA RAILINGS, LLC
1454 HALSEY WAY
CARROLLTON, TX 75007
P: 972-353-8482
F: 972-353-0013
e: info@vivarailings.com
www.vivarailings.com

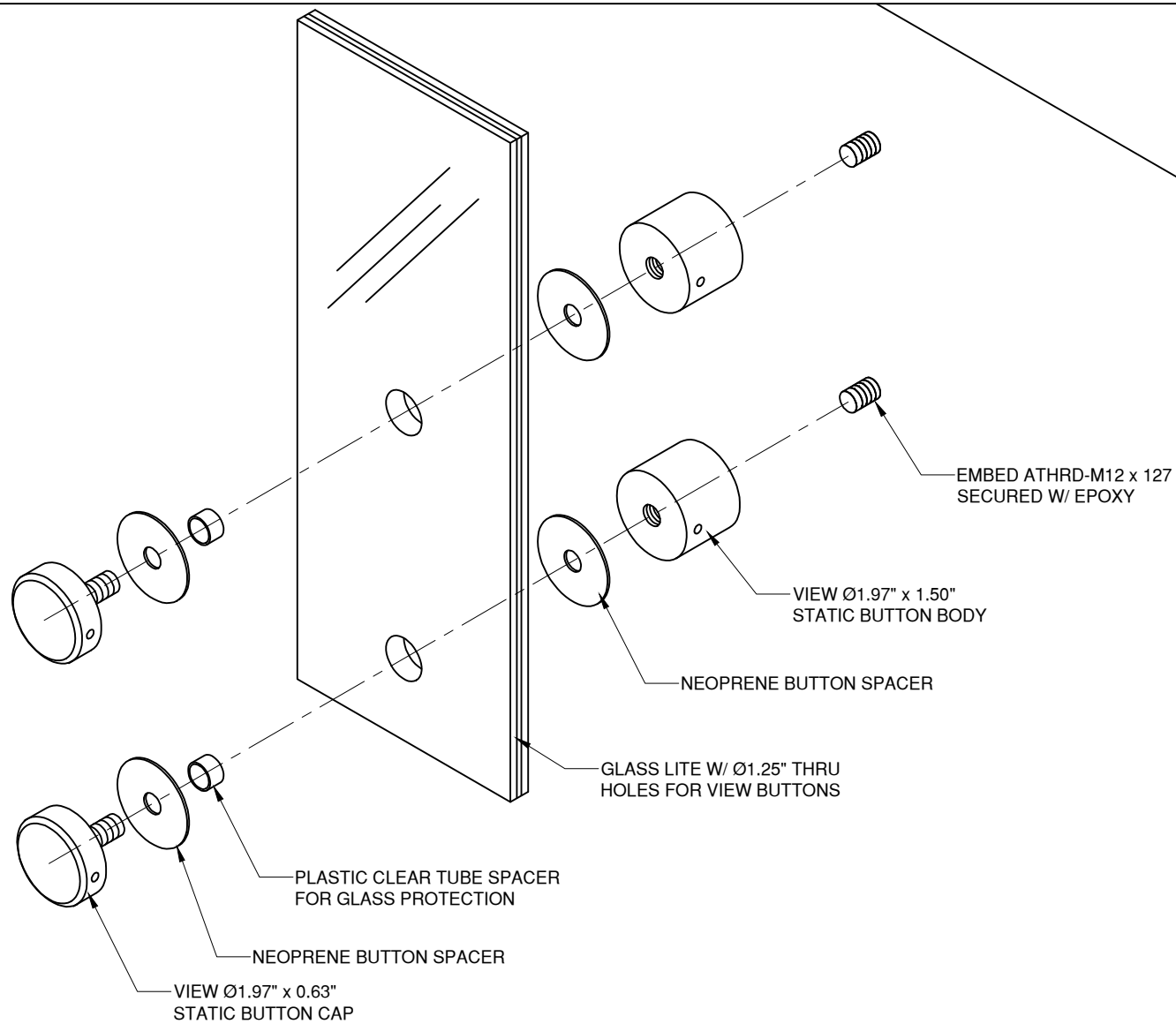
DESCRIPTION: VIVA VIEW SYSTEM
PRODUCT DATA

DATE DRAWN
06/13/16

PIECE MARK
-

DRAWN BY
JCM

SHEET NUMBER
E14 OF E16



1 ASSEMBLY @ CONCRETE FASCIA W/O BACK PLATE
E15 SCALE: 3" = 1'-0"



VIVA RAILINGS, LLC
1454 HALSEY WAY
CARROLLTON, TX 75007
P: 972-353-8482
F: 972-353-0013
e: info@vivarailings.com
www.vivarailings.com

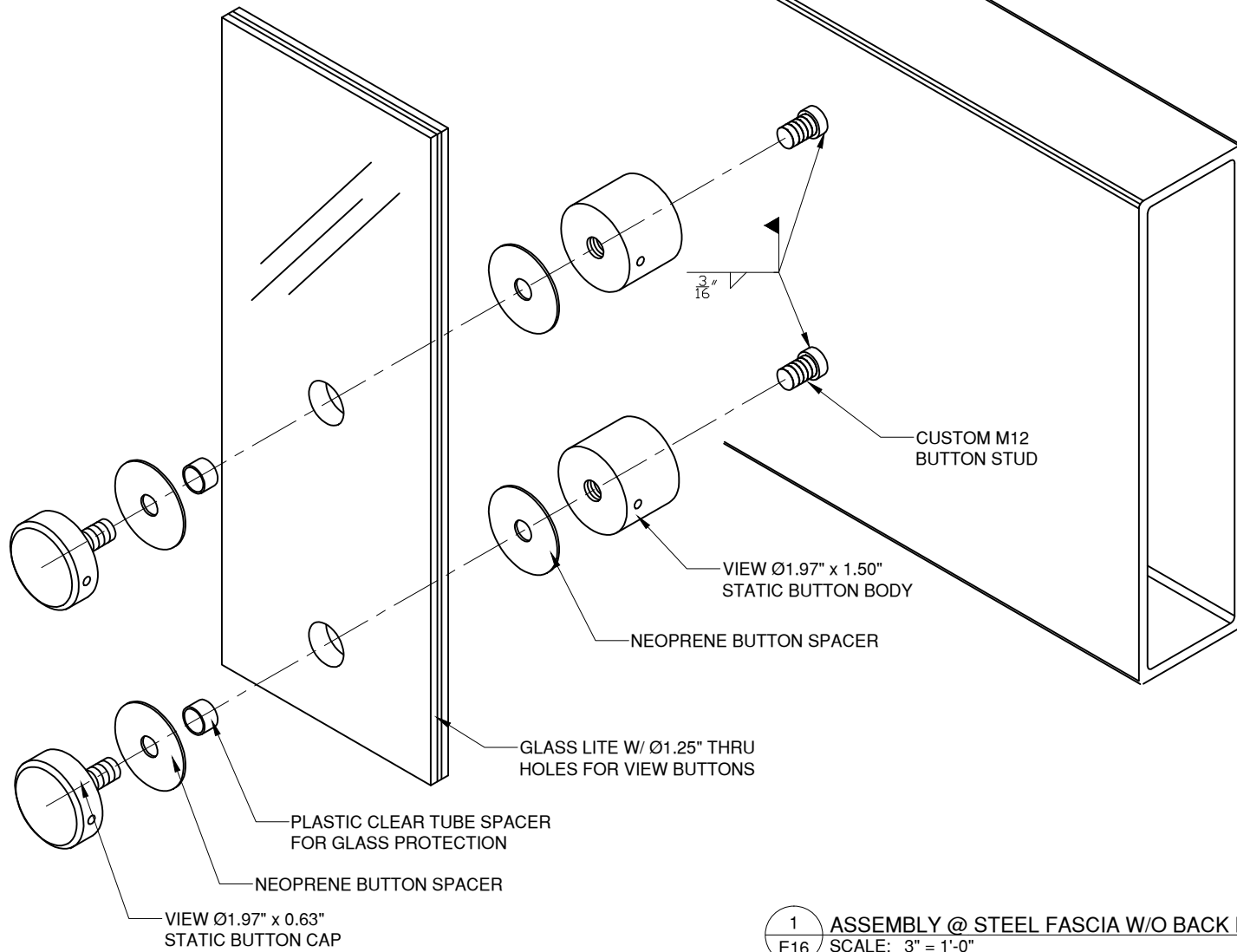
DESCRIPTION: PRODUCT DATA
VIVA VIEW MOUNTING ASSEMBLY
EXPLODED VIEW W/O BACK PLATE

DATE DRAWN
06/13/16

PIECE MARK
-

DRAWN BY
JCM

SHEET NUMBER
E15 OF E16



1 ASSEMBLY @ STEEL FASCIA W/O BACK PLATE
 E16 SCALE: 3" = 1'-0"



VIVA RAILINGS, LLC
 1454 HALSEY WAY
 CARROLLTON, TX 75007
 P: 972-353-8482
 F: 972-353-0013
 e: info@vivarailings.com
 www.vivarailings.com

DESCRIPTION: VIVA VIEW SYSTEM
 PRODUCT DATA

DATE DRAWN
 06/13/16

PIECE MARK
 -

DRAWN BY
 JCM

SHEET NUMBER
 E16 OF E16