

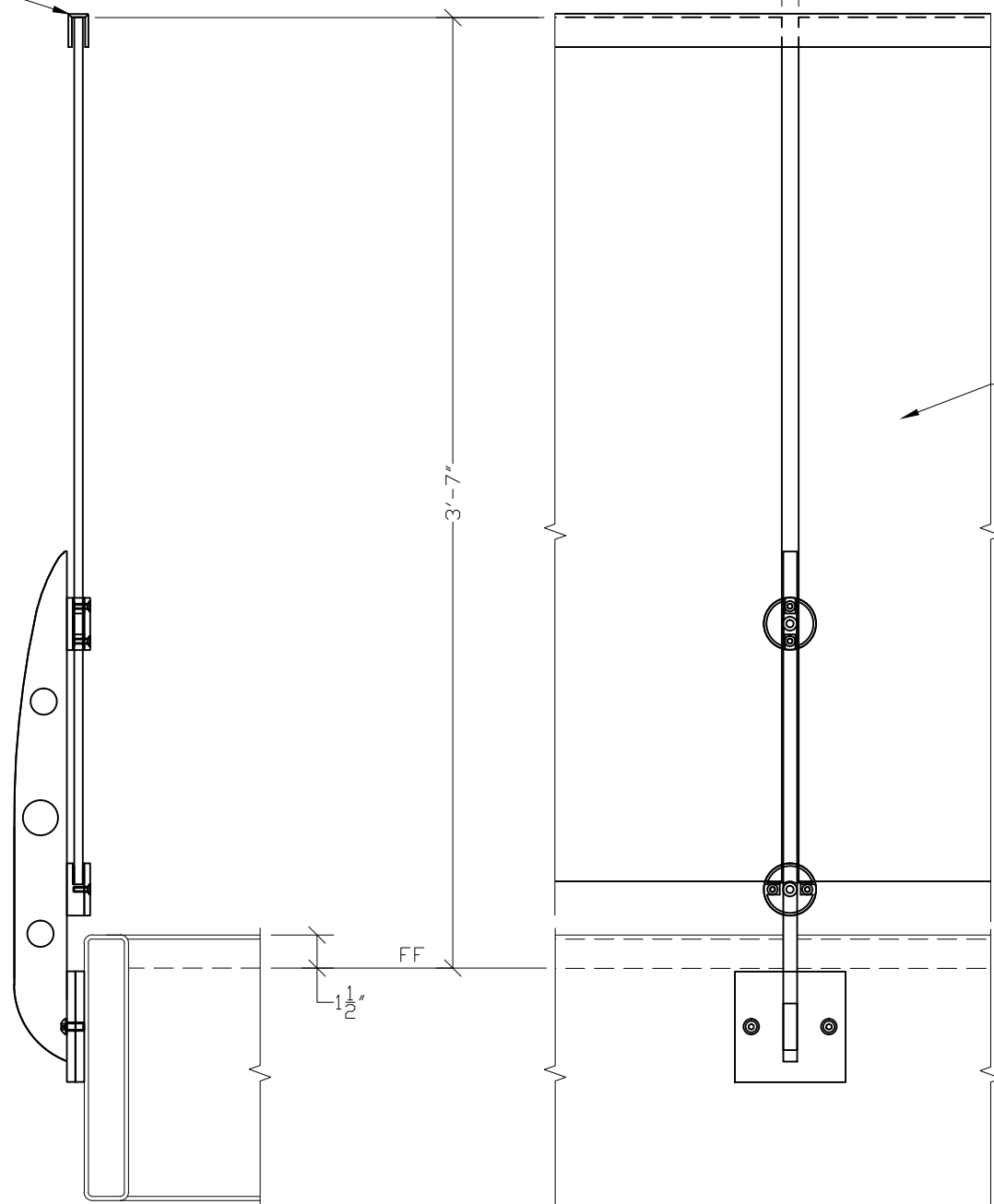
VIVA SABER™ RAILING SYSTEM

3/4" GAP TYP.

OPTIONAL CAP * REQUIRED
IF SYSTEM DOES NOT
HAVE A HANDRAIL

OPTIONAL CAPS *

- 1) 1" U-CAP (NON STRUCTURAL)
- 2) 1 1/2" U-CAP (STRUCTURAL NEED WHEN NO HANDRAIL)
- 3) 1.5"Ø LED I-RAIL



1) 1/2" CLEAR TEMPERED GLASS *

* VISIT
VIVARAILINGS.COM
FOR MORE OPTIONS

ALL MATERIAL
STAINLESS STEEL
304 U.O.N.



VIVA RAILINGS, LLC
650 E HWY 121 STE. 204
LEWISVILLE, TX 75057
P: 972-353-8482
F: 972-353-0013
e: info@vivarailings.com
www.vivarailings.com

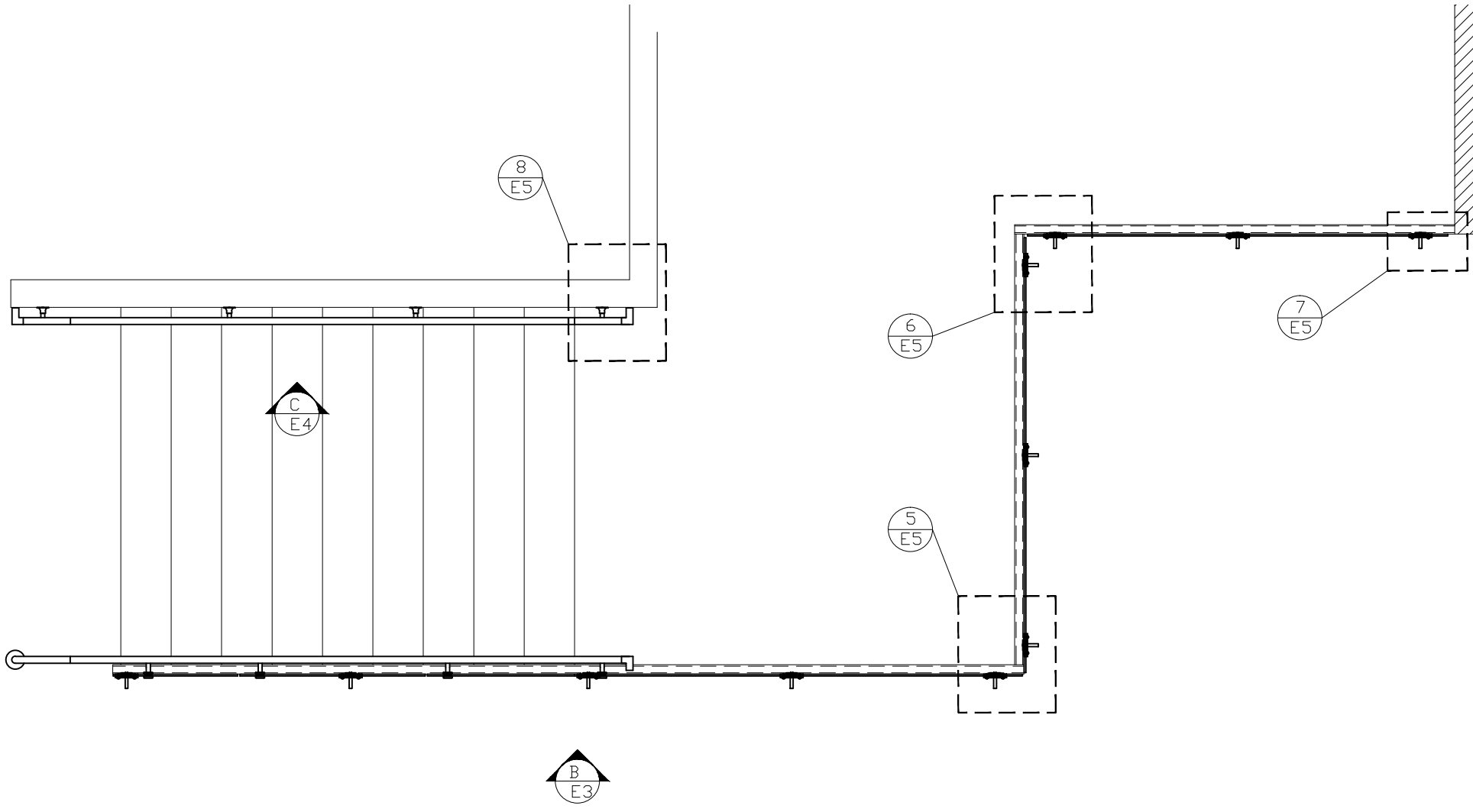
DESCRIPTION: SABER RAILING PRODUCT
DATA, ELEVATION DETAIL

DATE DRAWN
02/20/13

DRAWN BY
BB

PIECE MARK
-

SHEET NUMBER
E1 OF E6



A PLAN VIEW
E2 SCALE: 3/8" = 1'



VIVA RAILINGS, LLC
 650 E HWY 121 STE. 204
 LEWISVILLE, TX 75057
 P: 972-353-8482
 F: 972-353-0013
 e: info@vivarailings.com
 www.vivarailings.com

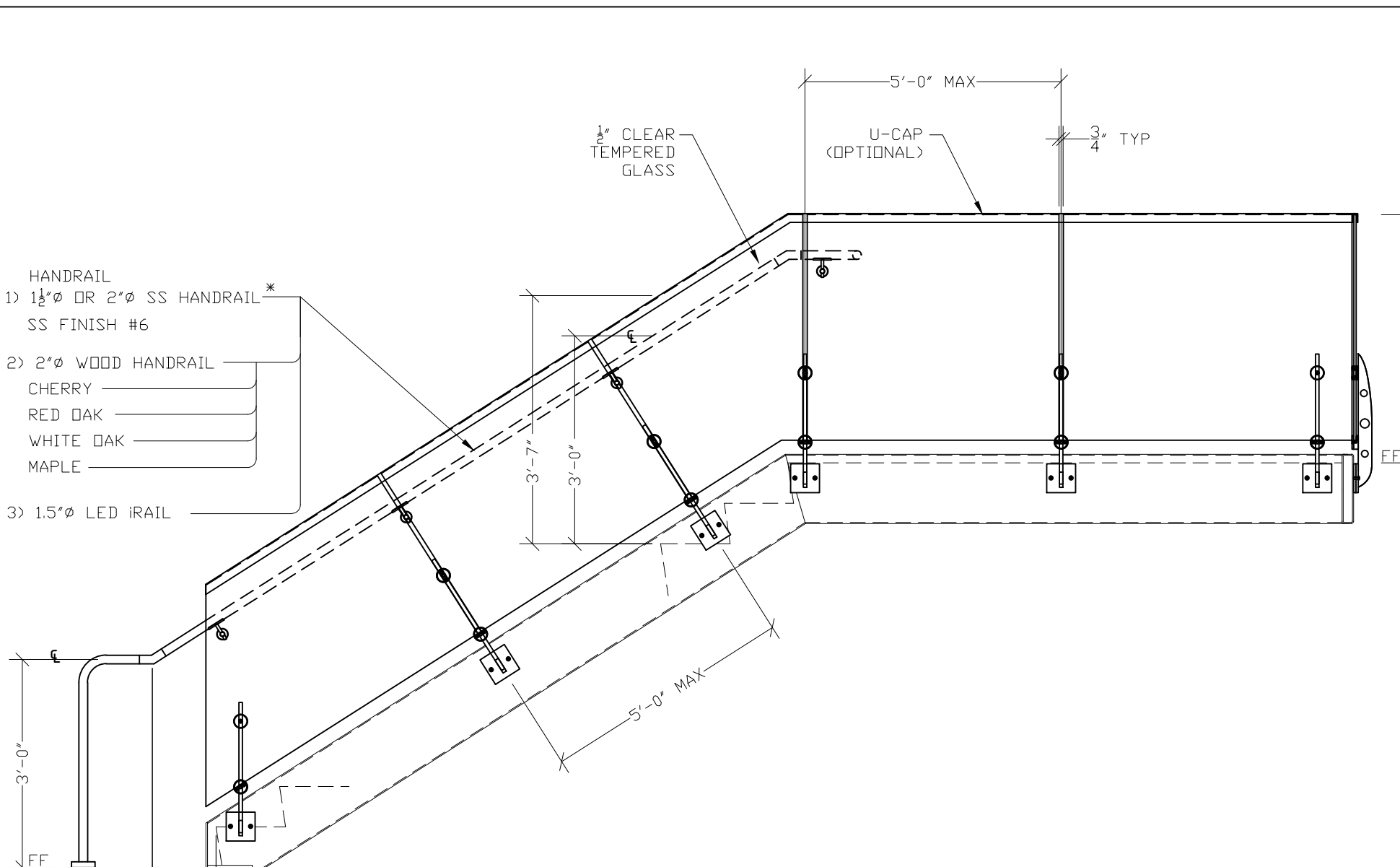
DESCRIPTION: SABER RAILING PRODUCT
 DATA, PLAN VIEW

DATE DRAWN
 02/20/13

PIECE MARK
 -

DRAWN BY
 BB

SHEET NUMBER
 E2 OF E6



B STAIR GLASS ELEVATION
E3 SCALE: 1/2" = 1'



VIVA RAILINGS, LLC
 650 E HWY 121 STE. 204
 LEWISVILLE, TX 75057
 P: 972-353-8482
 F: 972-353-0013
 e: info@vivarailings.com
 www.vivarailings.com

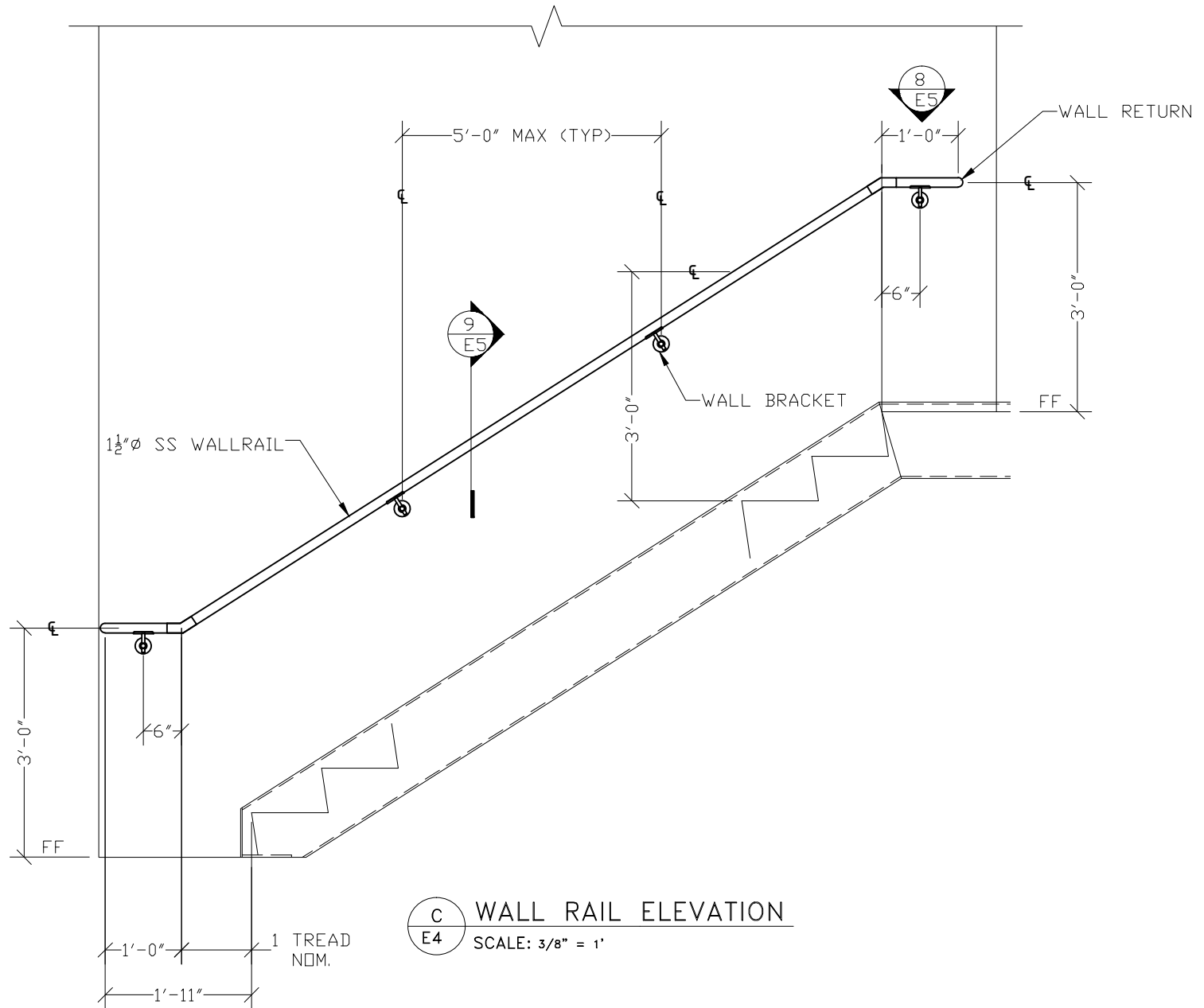
DESCRIPTION: SABER RAILING PRODUCT
 DATA, GLASS STAIR ELEVATION

DATE DRAWN
 02/20/13

PIECE MARK
 -

DRAWN BY
 BB

SHEET NUMBER
 E3 OF E6



VIVA RAILINGS, LLC
 650 E HWY 121 STE. 204
 LEWISVILLE, TX 75057
 P: 972-353-8482
 F: 972-353-0013
 e: info@vivarailings.com
 www.vivarailings.com

DESCRIPTION: SABER RAILING PRODUCT
 DATA, WALL RAIL ELEVATION

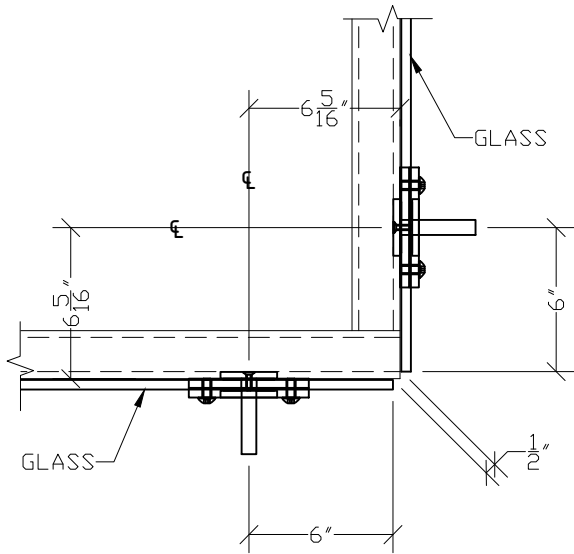
DATE DRAWN
 02/20/13

PIECE MARK
 -

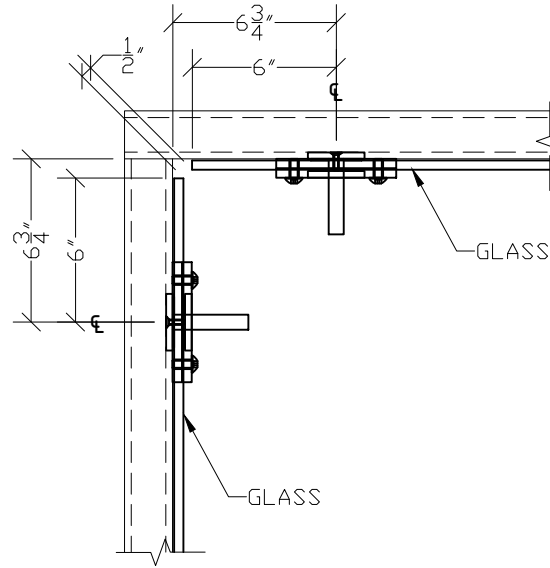
DRAWN BY
 BB

SHEET NUMBER
 E4 OF E6

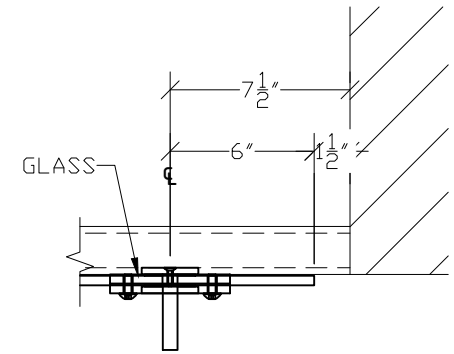
GLASS CORNER DETAILS



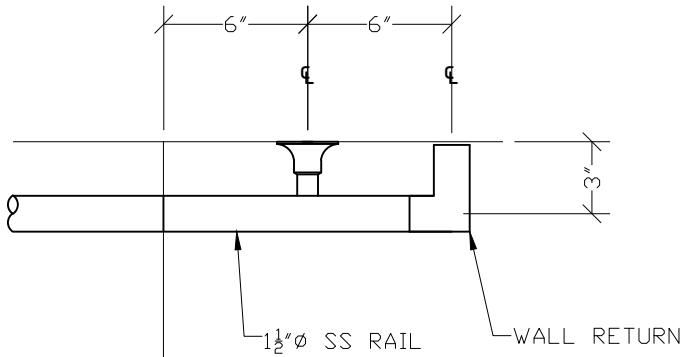
5 INSIDE CORNER
E5 SCALE: 1 1/2" = 1'



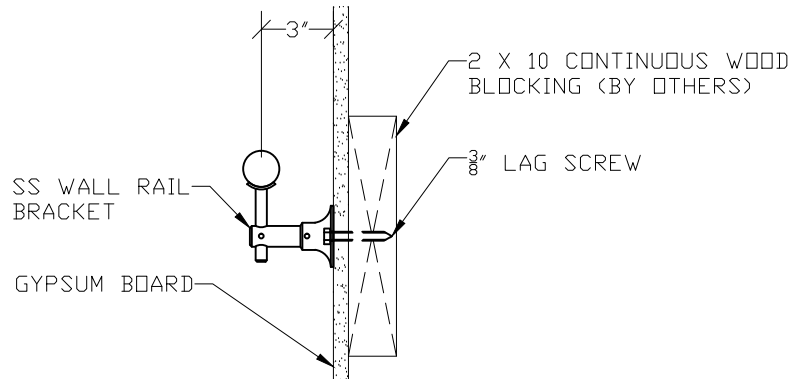
6 OUTSIDE CORNER
E5 SCALE: 1 1/2" = 1'



7 END CONDITION
E5 SCALE: 1 1/2" = 1'



8 WALL BRACKET & RETURN
E5 SCALE: 1 1/2" = 1'



9 WALL BRACKET SECTION
E5 SCALE: 1 1/2" = 1'



VIVA RAILINGS, LLC
650 E HWY 121 STE. 204
LEWISVILLE, TX 75057
P: 972-353-8482
F: 972-353-0013
e: info@vivarailings.com
www.vivarailings.com

DESCRIPTION: SABER RAILING PRODUCT
DATA, PLAN DETAIL

DATE DRAWN
02/20/13

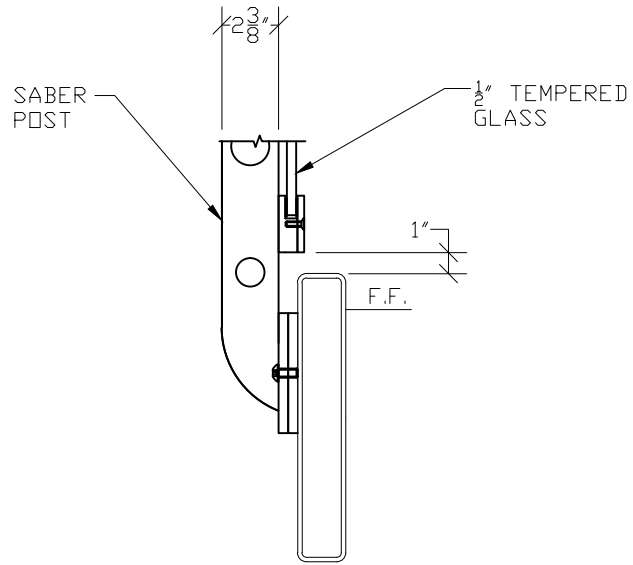
PIECE MARK
-

DRAWN BY
BB

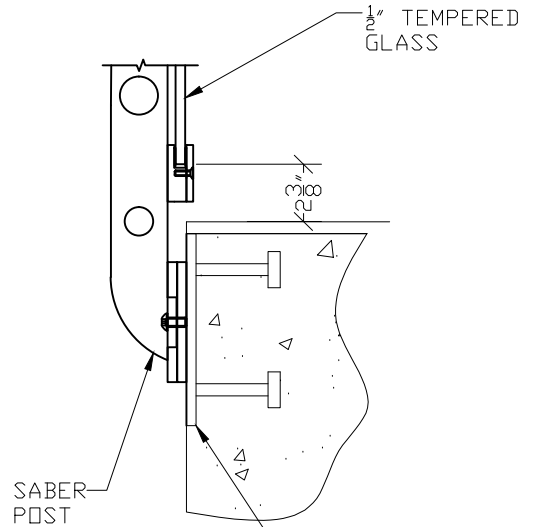
SHEET NUMBER
E5 OF E6

STEEL MOUNTING DETAIL

CONCRETE MOUNTING DETAIL

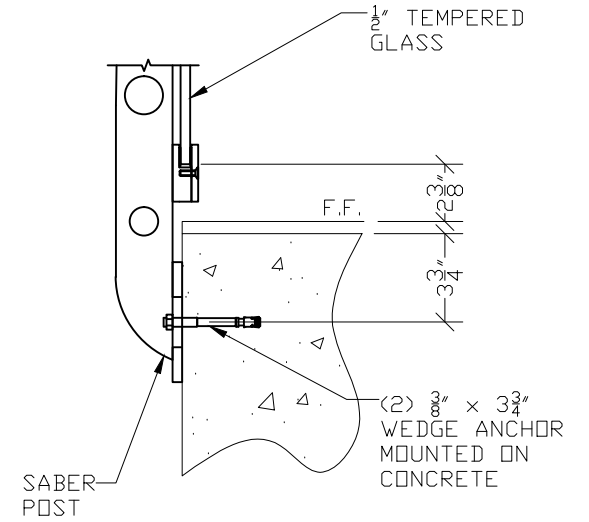


SIDE ELEV.



SIDE ELEV.

EMBED PLATE
8" X 8" X 1/2"
(BY OTHERS)



SIDE ELEV.

(2) 3/8" x 3 3/4"
WEDGE ANCHOR
MOUNTED ON
CONCRETE

11 FASCIA MOUNT @ STEEL CHANNEL
E6 SCALE: NOT TO SCALE

12 FASCIA MOUNT @ EMBED CONCRETE
E6 SCALE: NOT TO SCALE

13 FASCIA MOUNT @ CONCRETE W/ANCHORS
E6 SCALE: NOT TO SCALE



VIVA RAILINGS, LLC
650 E HWY 121 STE. 204
LEWISVILLE, TX 75057
P: 972-353-8482
F: 972-353-0013
e: info@vivarailings.com
www.vivarailings.com

DESCRIPTION: SABER RAILING PRODUCT
DATA, MOUNTING OPTIONS

DATE DRAWN
02/20/13

PIECE MARK
-

DRAWN BY
BB

SHEET NUMBER
E6 OF E6