

# VIVA SHOE RAILING SYSTEM

1/2" GAP TYP.

U-CAP REQUIRED  
IF SYSTEM DOES NOT  
HAVE A HANDRAIL

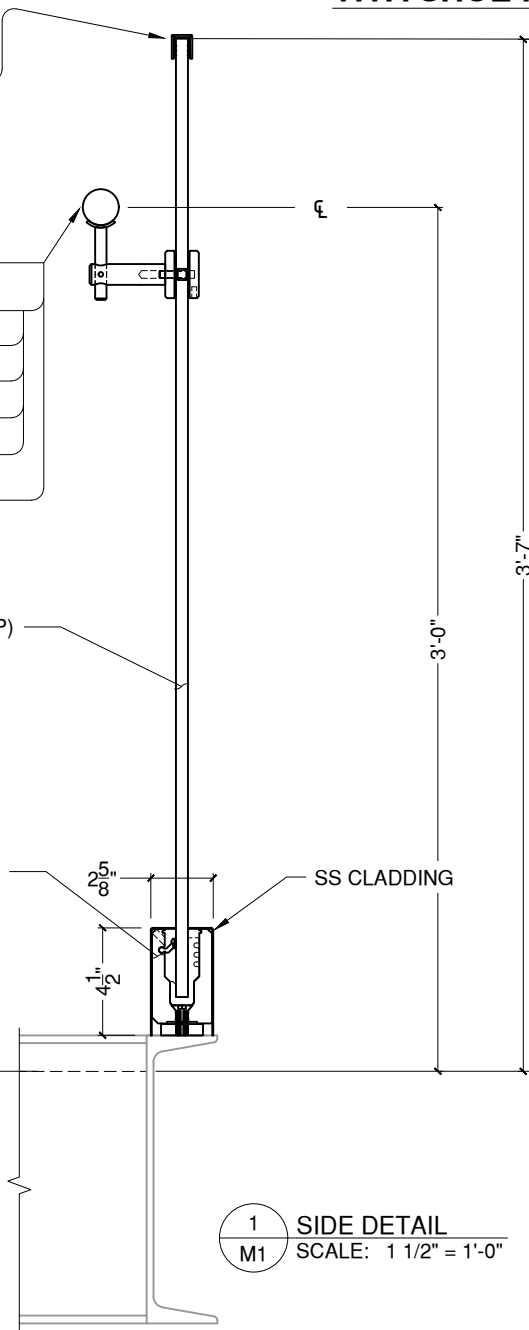
- \* OPTIONAL CAPS
- 1) SS 'U' CAP
  - 2) SS Ø1 1/2" CAP
  - 3) SS Ø1 1/2" LED CAP

- 1) Ø1 1/2" OR Ø2" SS HANDRAIL
- 2) Ø2" WOOD HANDRAIL
  - CHERRY WOOD
  - RED OAK
  - WHITE OAK
  - MAPLE WOOD
- 3) Ø1 1/2" LED iRAIL

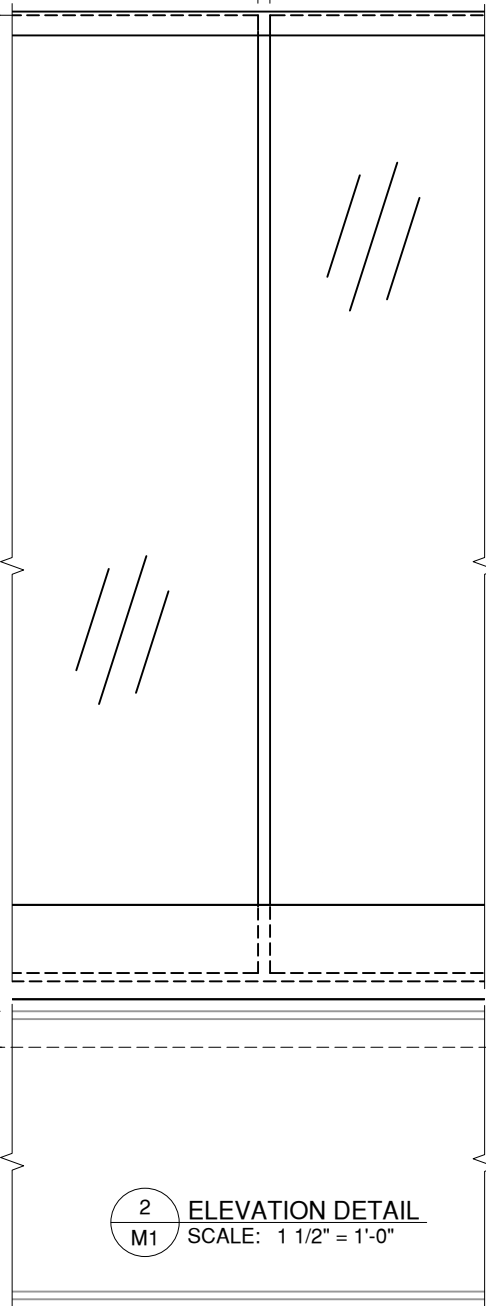
**REF-M11**

1/2" MONOLITHIC GLASS (TYP)

**VIVA SHOE EXTRUSION (TYP)**  
ALSO AVAILABLE IN CUSTOM RADIUS  
BENT TO FIT,  
FASTENER OR WET SET INFILL



1 SIDE DETAIL  
M1 SCALE: 1 1/2" = 1'-0"



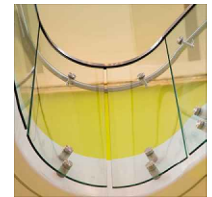
2 ELEVATION DETAIL  
M1 SCALE: 1 1/2" = 1'-0"



**CLEAR  
MONOLITHIC**



**CLEAR  
LAMINATED  
(PVB or SGP)**



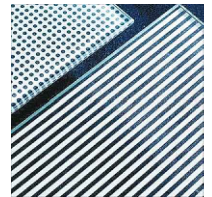
**BENT**



**TINTED**



**SATIN  
ETCHED**



**CERAMIC  
FRIT**



**COLOR  
LAMINATE  
(PVB ONLY)**

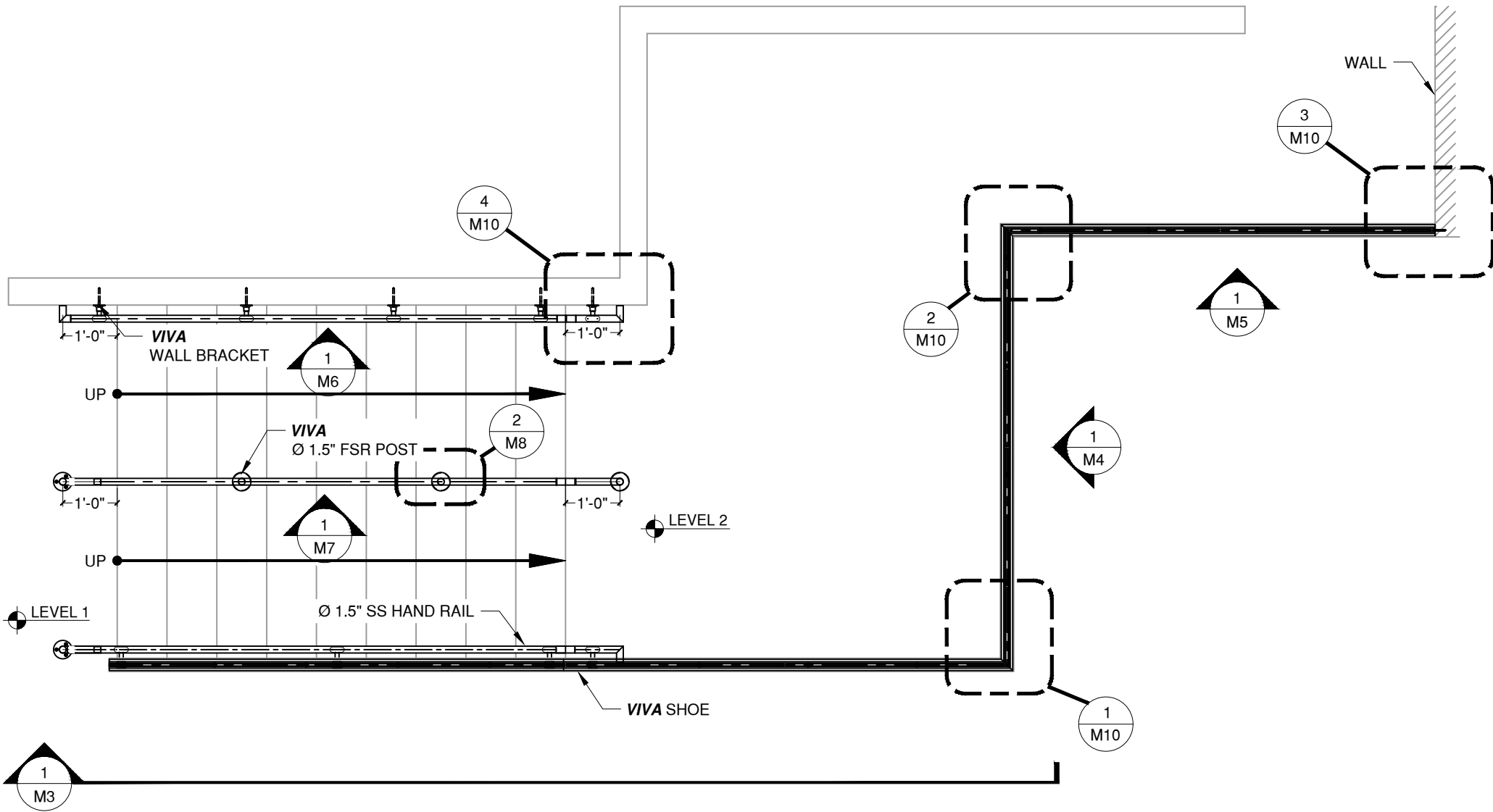


**VIVA RAILINGS, LLC**  
1454 HALSEY WAY  
CARROLLTON, TX 75007  
P: 972-353-8482  
F: 972-353-0013  
e: info@vivarailings.com  
www.vivarailings.com

DESCRIPTION:  
**VIVA SHOE SYSTEM  
PRODUCT DATA**

DRAWN BY  
**JCM**

SHEET NUMBER  
**M1 OF M14**



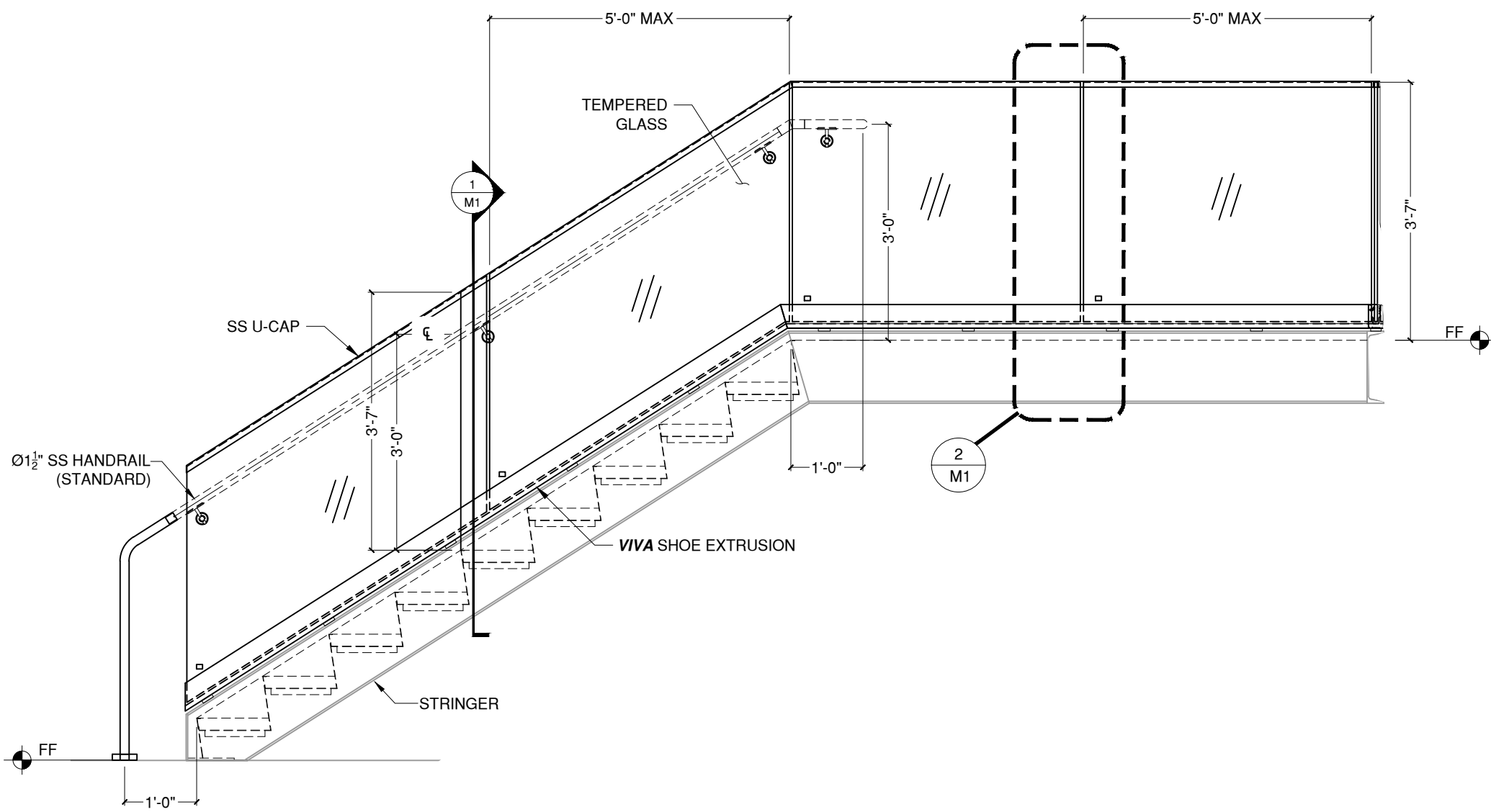
1 PLAN - STAIR 1  
M2 SCALE: 3/8" = 1'-0"



VIVA RAILINGS, LLC  
 1454 HALSEY WAY  
 CARROLLTON, TX 75007  
 P: 972-353-8482  
 F: 972-353-0013  
 e: info@vivarailings.com  
 www.vivarailings.com

DESCRIPTION:  
**VIVA SHOE SYSTEM**  
**PRODUCT DATA**  
 -

DRAWN BY  
**JCM**  
 SHEET NUMBER  
**M2 OF M14**



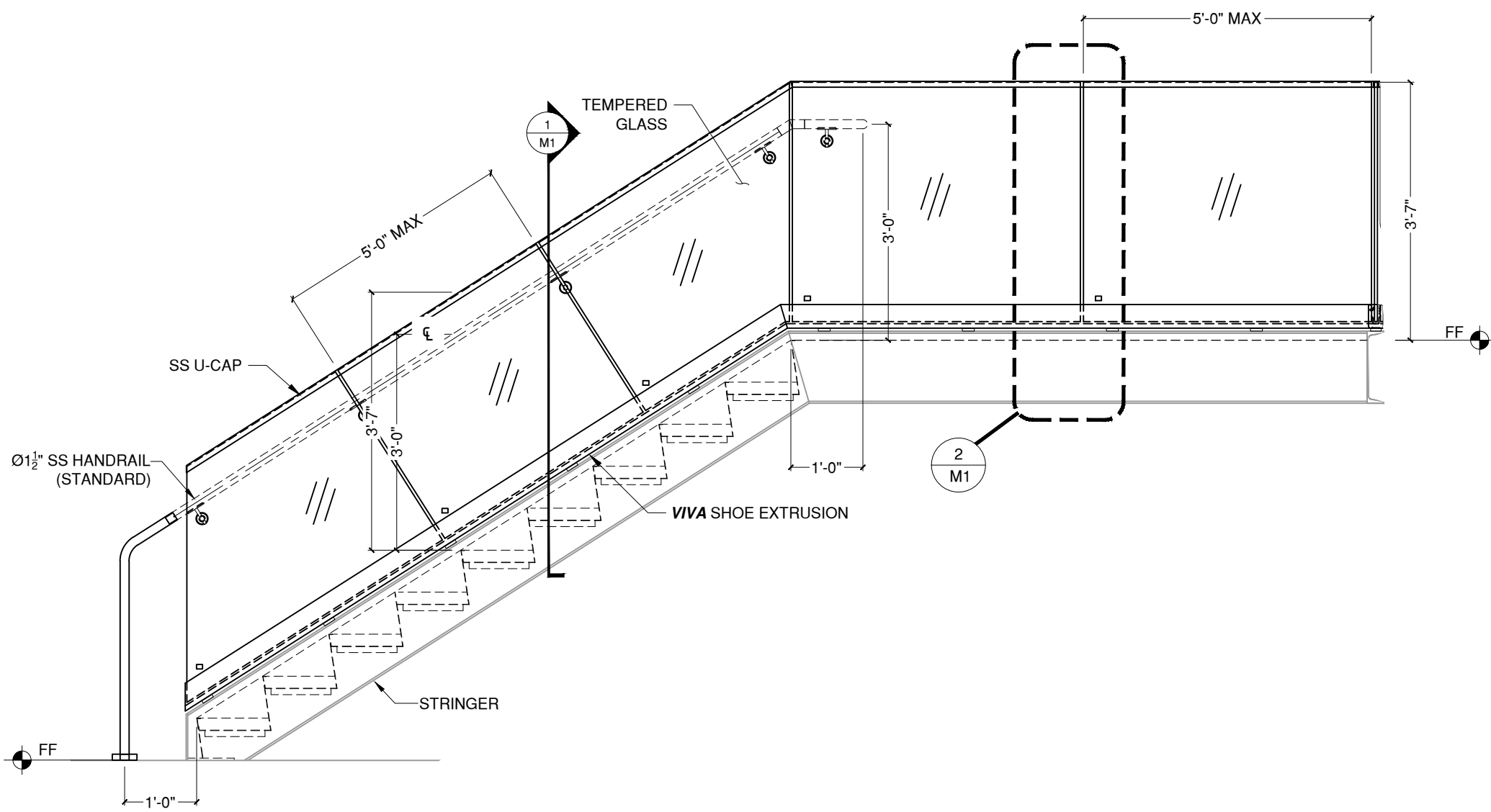
1 ELEV - STAIR 1 EXTERIOR  
 M3 SCALE: 1/2" = 1'-0"



VIVA RAILINGS, LLC  
 1454 HALSEY WAY  
 CARROLLTON, TX 75007  
 P: 972-353-8482  
 F: 972-353-0013  
 e: info@vivarailings.com  
 www.vivarailings.com

DESCRIPTION:  
 VIVA SHOE SYSTEM  
 PRODUCT DATA  
 -

DRAWN BY  
 JCM  
 SHEET NUMBER  
 M3 OF M14



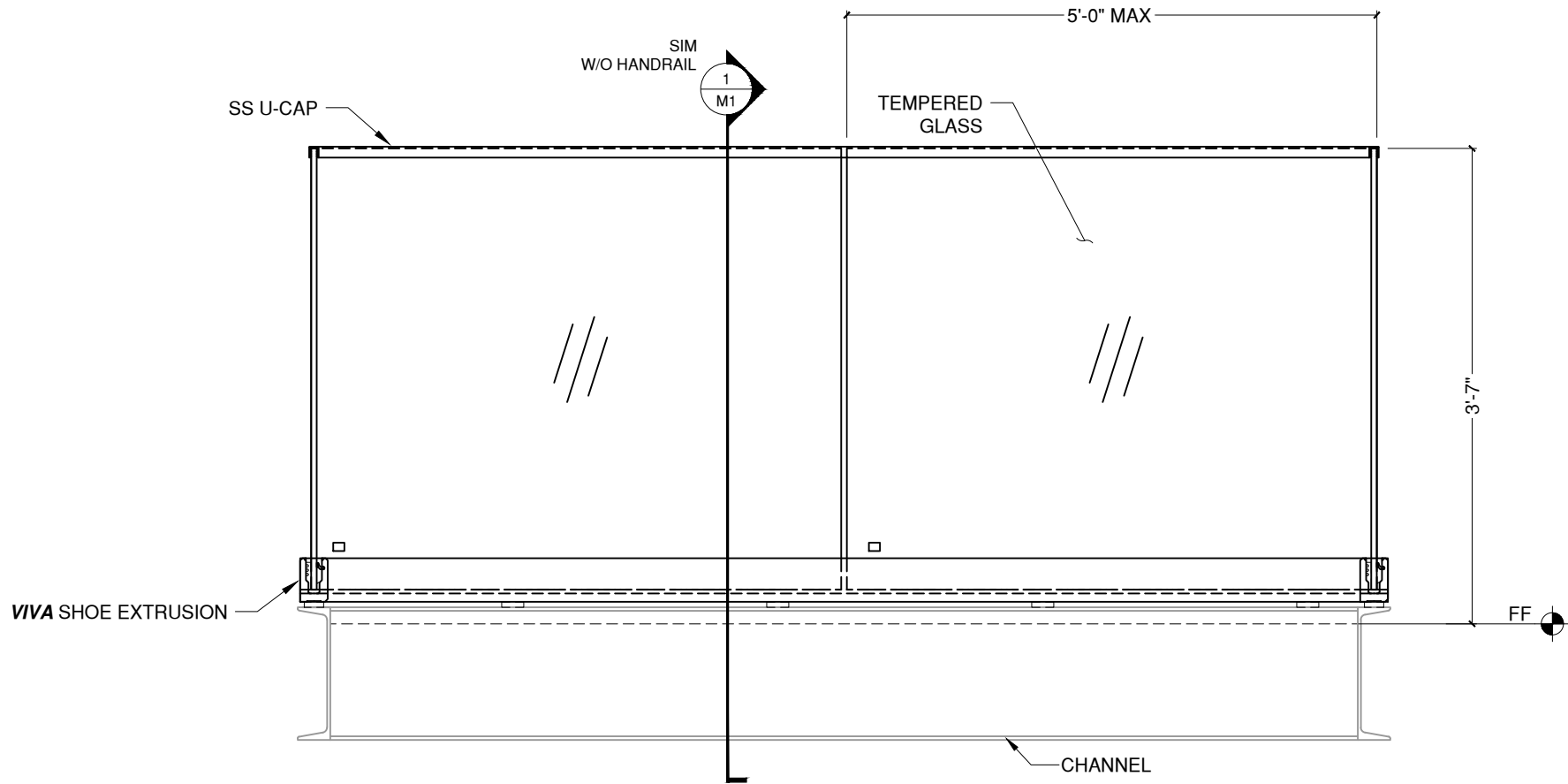
1 ELEV - STAIR 1 EXTERIOR (ALTERNATIVE)  
 M4 SCALE: 1/2" = 1'-0"



VIVA RAILINGS, LLC  
 1454 HALSEY WAY  
 CARROLLTON, TX 75007  
 P: 972-353-8482  
 F: 972-353-0013  
 e: info@vivarailings.com  
 www.vivarailings.com

DESCRIPTION:  
**VIVA SHOE SYSTEM**  
**PRODUCT DATA**  
 -

DRAWN BY  
**JCM**  
 SHEET NUMBER  
**M4 OF M14**



1 ELEV - WALKWAY 1  
M5 SCALE: 3/4" = 1'-0"



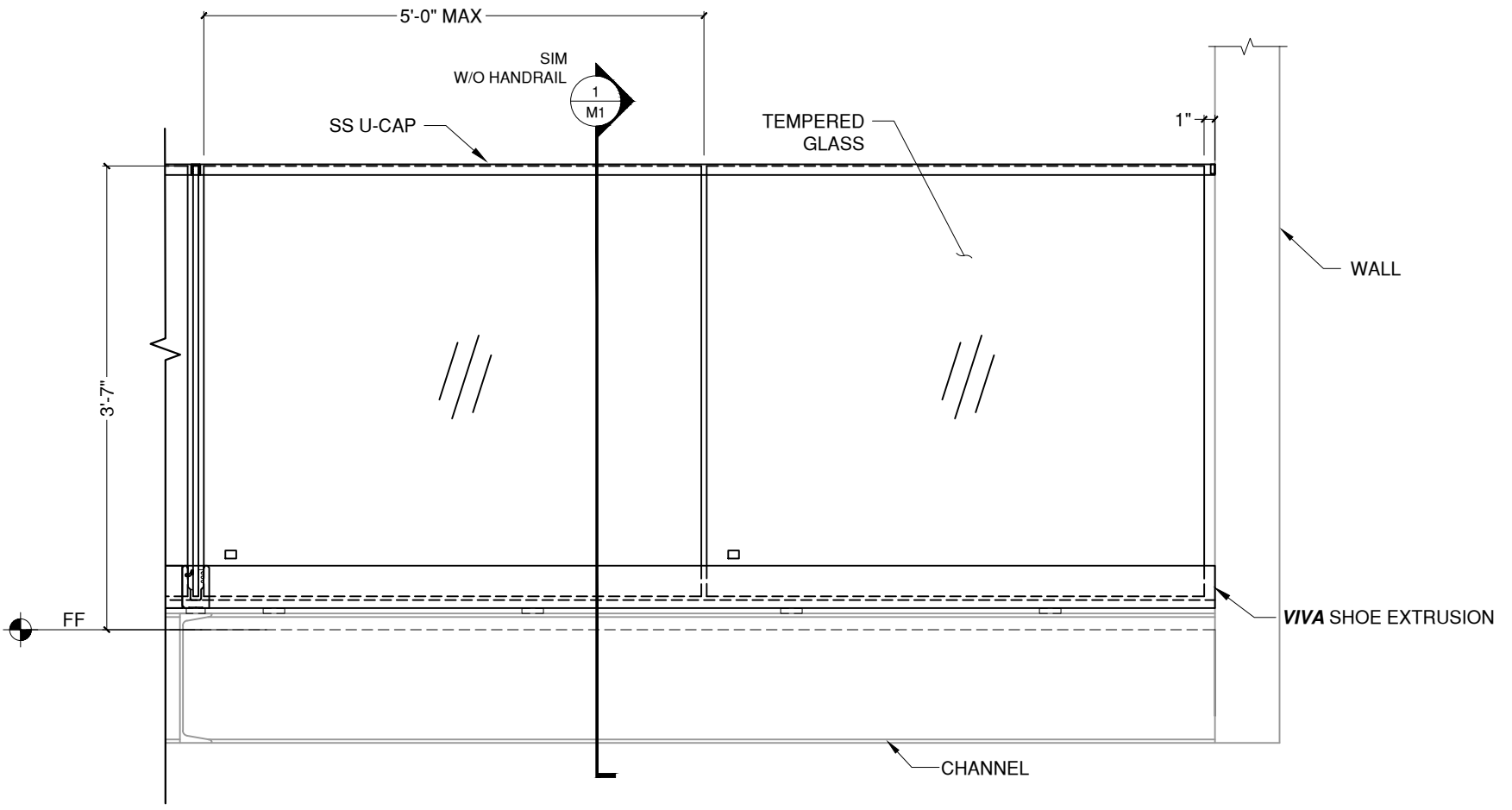
**VIVA RAILINGS, LLC**  
 1454 HALSEY WAY  
 CARROLLTON, TX 75007  
 P: 972-353-8482  
 F: 972-353-0013  
 e: info@vivarailings.com  
 www.vivarailings.com

DESCRIPTION:  
**VIVA SHOE SYSTEM**  
**PRODUCT DATA**

-

DRAWN BY  
**JCM**

SHEET NUMBER  
**M5 OF M14**



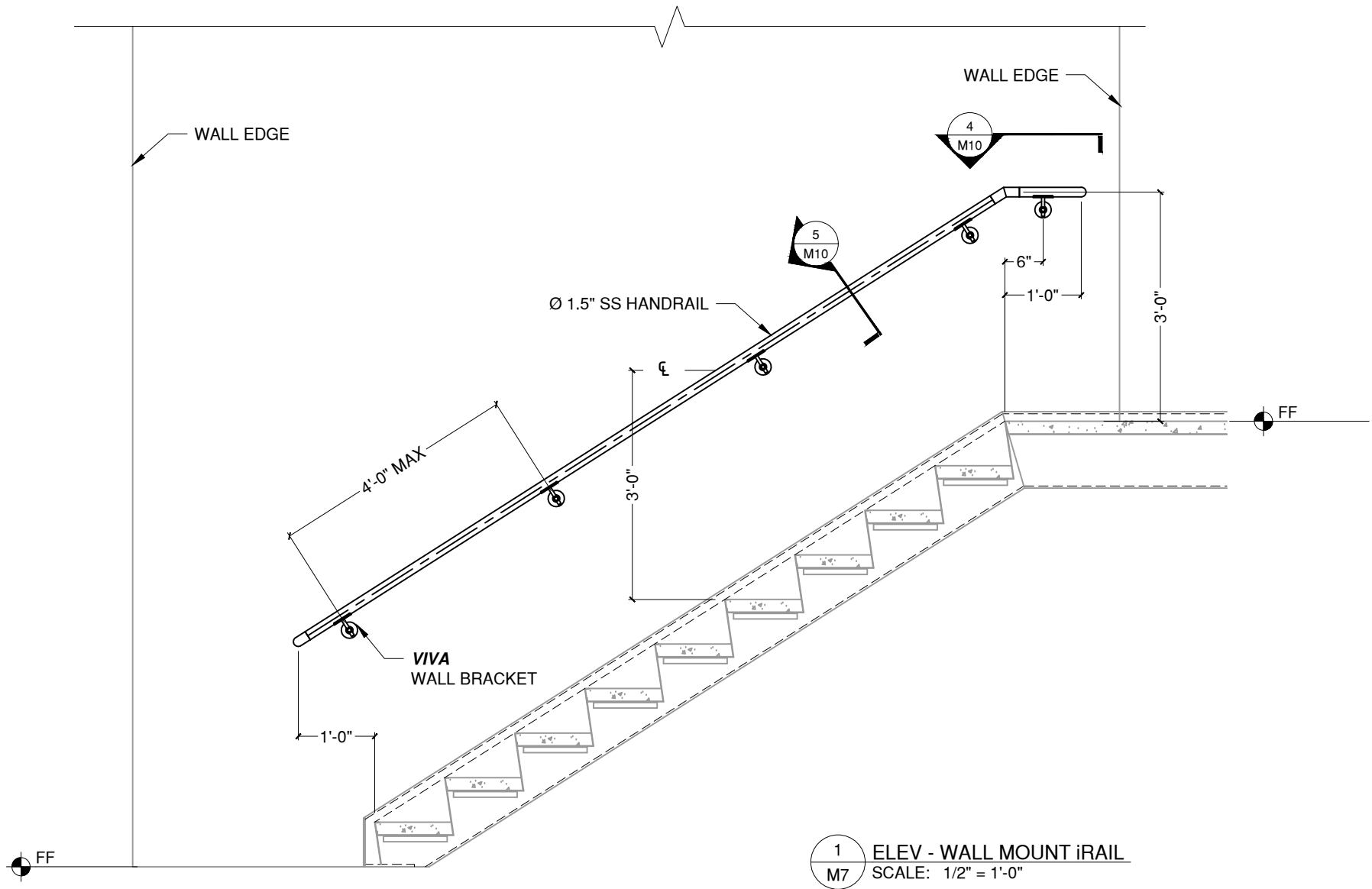
1 ELEV - WALKWAY 2  
 M6 SCALE: 3/4" = 1'-0"



VIVA RAILINGS, LLC  
 1454 HALSEY WAY  
 CARROLLTON, TX 75007  
 P: 972-353-8482  
 F: 972-353-0013  
 e: info@vivarailings.com  
 www.vivarailings.com

DESCRIPTION:  
 VIVA SHOE SYSTEM  
 PRODUCT DATA  
 -

DRAWN BY  
 JCM  
 SHEET NUMBER  
 M6 OF M14



1  
M7 ELEV - WALL MOUNT RAIL  
SCALE: 1/2" = 1'-0"

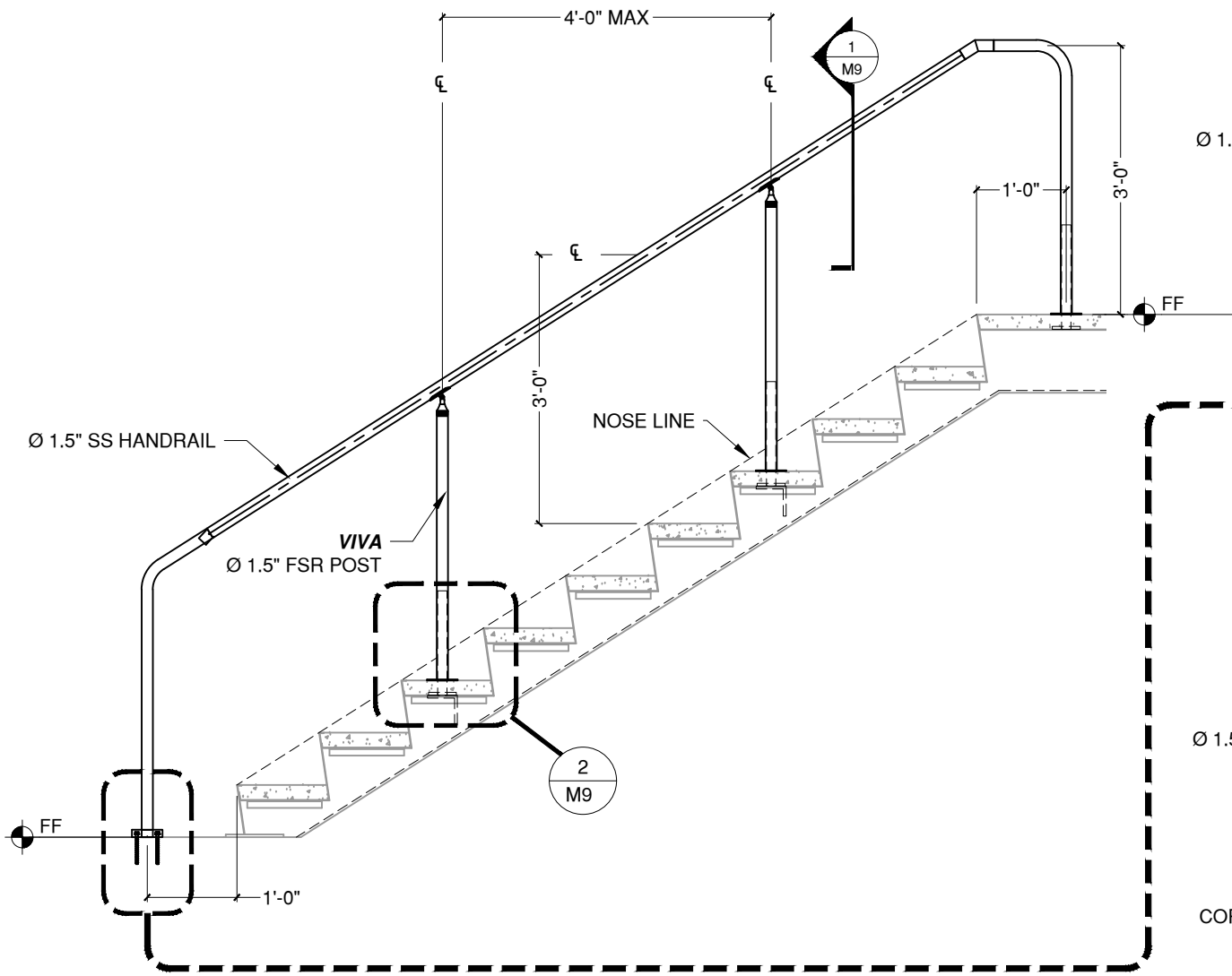


VIVA RAILINGS, LLC  
 1454 HALSEY WAY  
 CARROLLTON, TX 75007  
 P: 972-353-8482  
 F: 972-353-0013  
 e: info@vivarailings.com  
 www.vivarailings.com

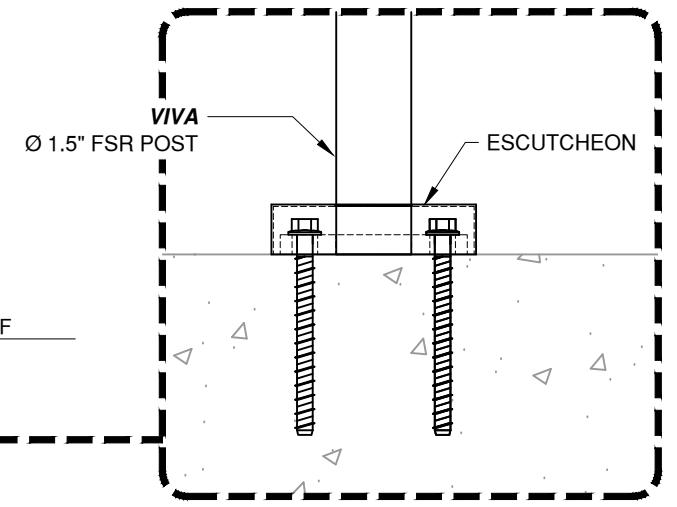
DESCRIPTION:  
 VIVA SHOE SYSTEM  
 PRODUCT DATA

DRAWN BY  
 JCM

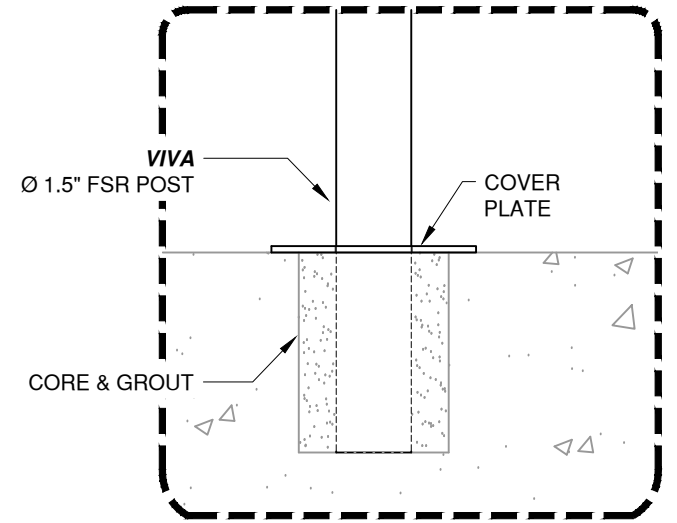
SHEET NUMBER  
 M7 OF M14



1 ELEV - FREE STANDING iRAIL  
M8 SCALE: 1/2" = 1'-0"



1 MOUNT OPTION - ANCHOR @ CONCRETE  
SCALE: 3" = 1'-0"



2 MOUNT OPTION - CORE @ CONCRETE  
SCALE: 3" = 1'-0"



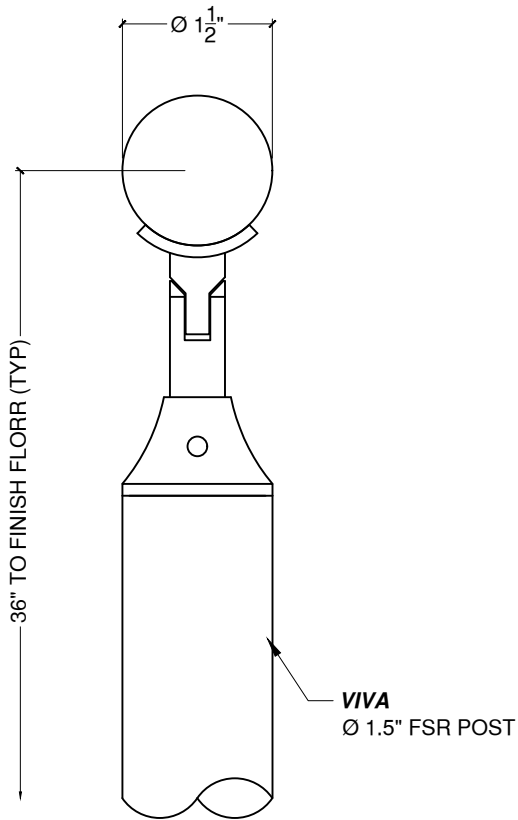
VIVA RAILINGS, LLC  
1454 HALSEY WAY  
CARROLLTON, TX 75007  
P: 972-353-8482  
F: 972-353-0013  
e: info@vivarailings.com  
www.vivarailings.com

DESCRIPTION:  
VIVA SHOE SYSTEM  
PRODUCT DATA  
-

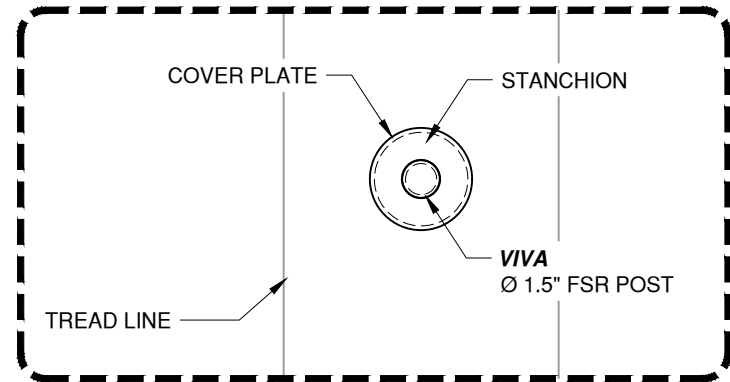
DRAWN BY  
JCM  
SHEET NUMBER  
M8 OF M14

DRAWN BY  
JCM  
SHEET NUMBER  
M8 OF M14





1 SECT - FREE STANDING iRAIL  
M9 SCALE: 6" = 1'-0"



A SECTION  
SCALE: 1-1/2" = 1'-0"



2 FSR STANCHION MOUNT DETAIL  
M9 SCALE: 1-1/2" = 1'-0"



VIVA RAILINGS, LLC  
1454 HALSEY WAY  
CARROLLTON, TX 75007  
P: 972-353-8482  
F: 972-353-0013  
e: info@vivarailings.com  
www.vivarailings.com

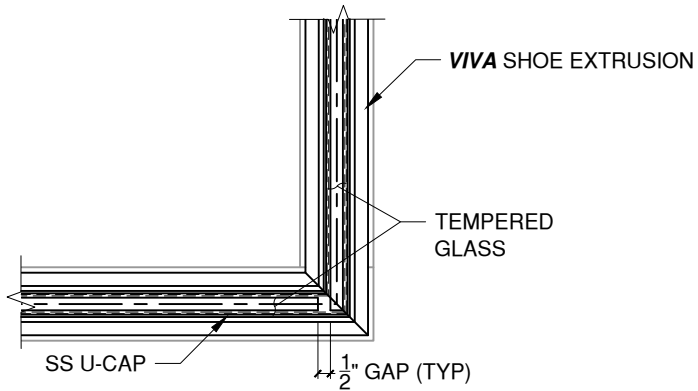
DESCRIPTION:  
VIVA SHOE SYSTEM  
PRODUCT DATA

-

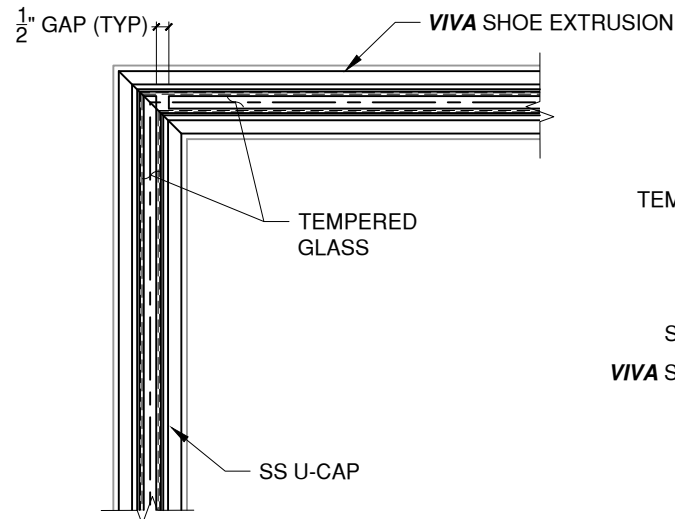
DRAWN BY  
JCM

SHEET NUMBER  
M9 OF M14

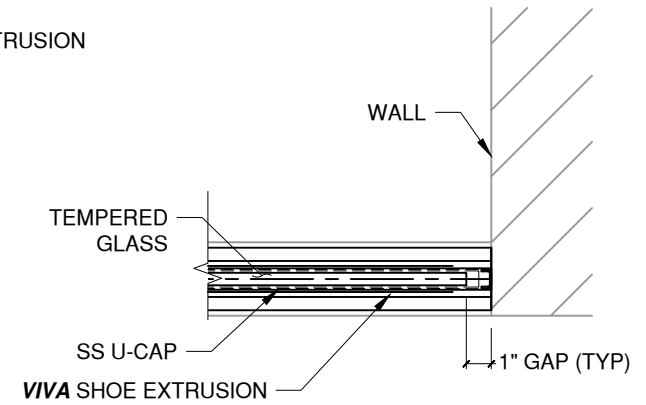
# GLASS CORNER & WALL BRACKET MOUNTING DETAILS



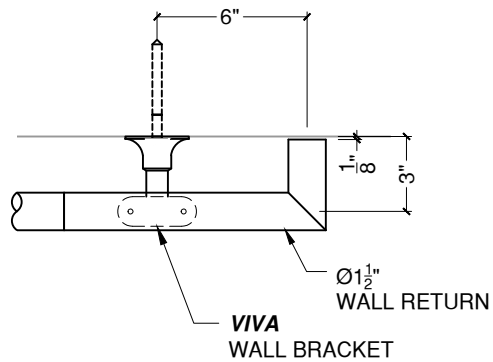
**1** OUTSIDE CORNER  
M10 SCALE: 1 1/2" = 1'-0"



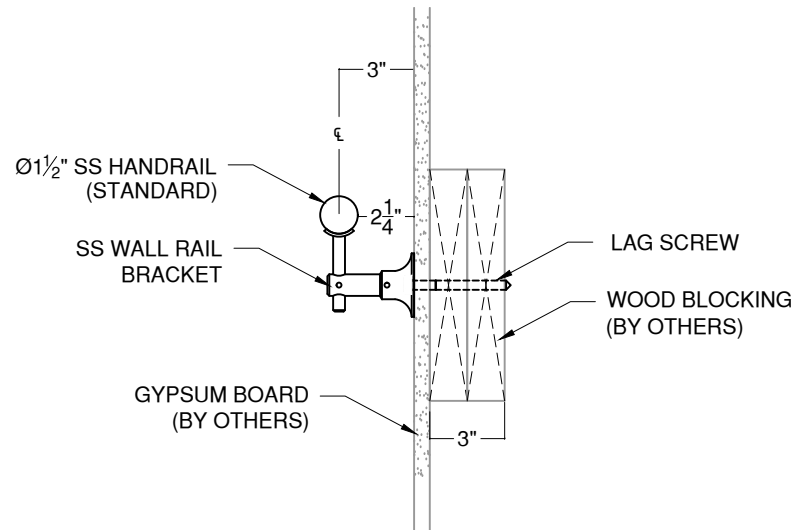
**2** INSIDE CORNER  
M10 SCALE: 1 1/2" = 1'-0"



**3** END CONDITION  
M10 SCALE: 1 1/2" = 1'-0"



**4** WALL BRACKET & RETURN PLAN  
M10 SCALE: 1 1/2" = 1'-0"



**5** WALL BRACKET SECTION  
M10 SCALE: 1 1/2" = 1'-0"



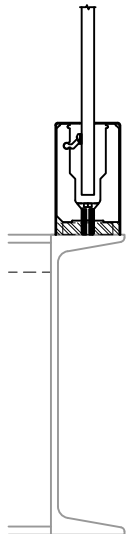
**VIVA RAILINGS, LLC**  
1454 HALSEY WAY  
CARROLLTON, TX 75007  
P: 972-353-8482  
F: 972-353-0013  
e: info@vivarailings.com  
www.vivarailings.com

DESCRIPTION:  
**VIVA SHOE SYSTEM  
PRODUCT DATA**

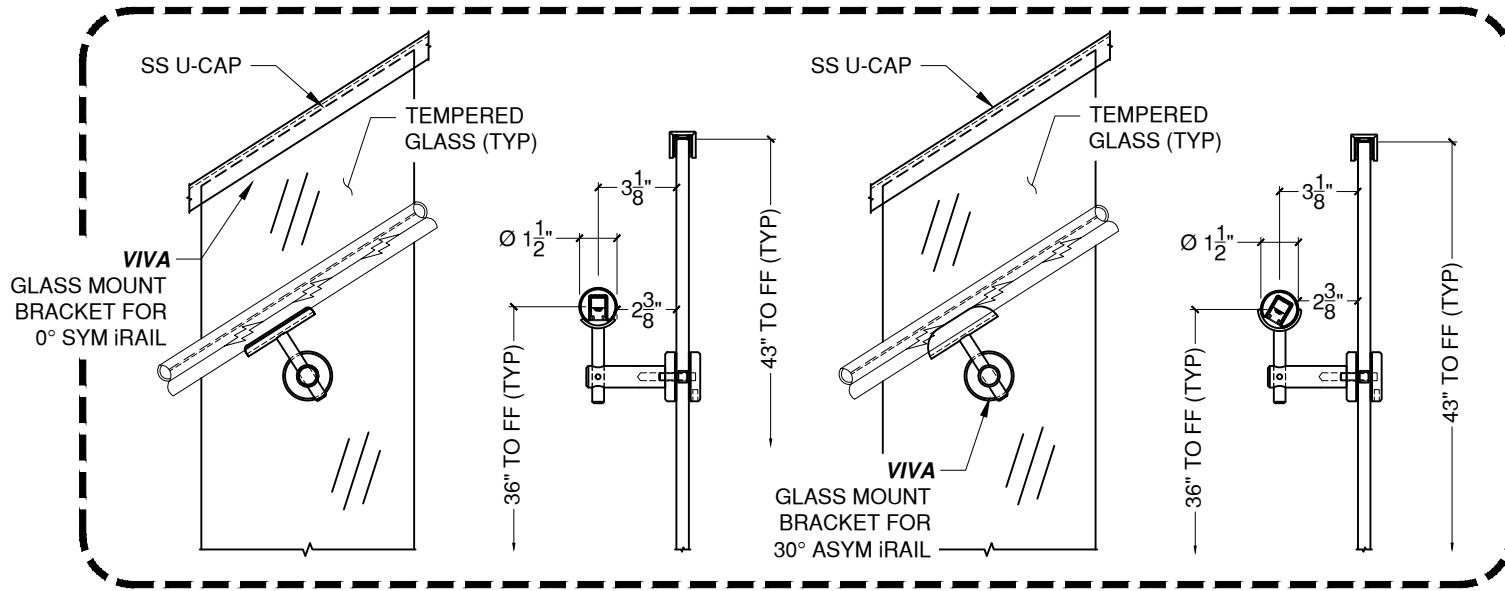
DRAWN BY  
**JCM**

SHEET NUMBER  
**M10 OF M14**

# VIVA - SHOE iRAIL



**VIVA - SHOE**



**1** DETAIL - STRUCTURAL GLASS  
**M19** SCALE: 1-1/2" = 1'-0"

\*WALL OR FLOOR WIRE FEED ENTRY REQUIRED @ RAILING TERMINAL POINT (ALL SYSTEMS)

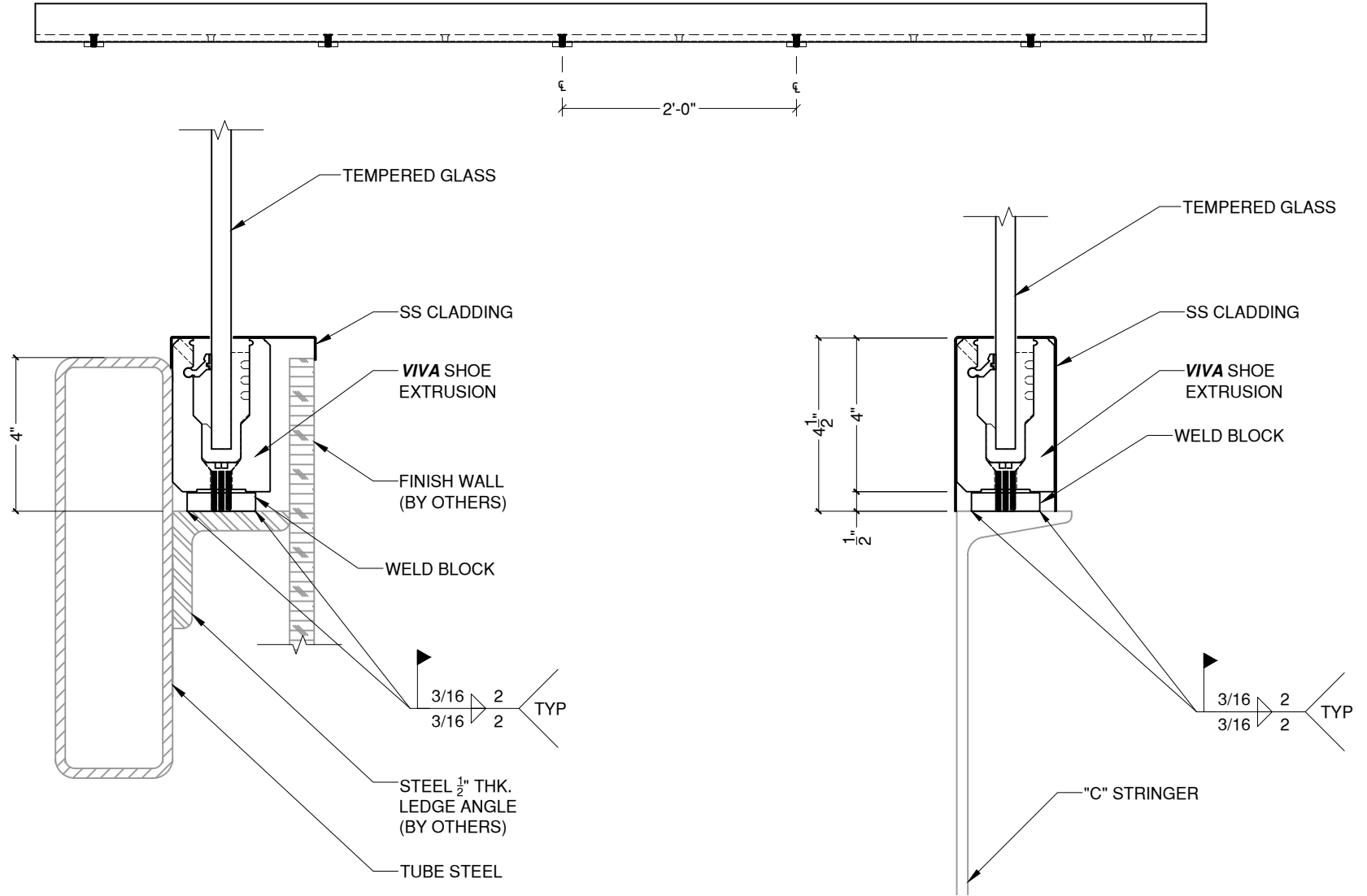


**VIVA RAILINGS, LLC**  
 1454 HALSEY WAY  
 CARROLLTON, TX 75007  
 P: 972-353-8482  
 F: 972-353-0013  
 e: info@vivarailings.com  
 www.vivarailings.com

DESCRIPTION:  
**VIVA SHOE SYSTEM**  
**PRODUCT DATA**  
 -

DRAWN BY  
**JCM**  
 SHEET NUMBER  
**M11 OF M14**

# STEEL MOUNTING DETAIL



1  
M12

DETAIL: FASCIA MOUNT @ STEEL TUBE  
SCALE: 3" = 1'-0"

2  
M12

DETAIL: TOP MOUNT @ STEEL CHANNEL  
SCALE: 3" = 1'-0"



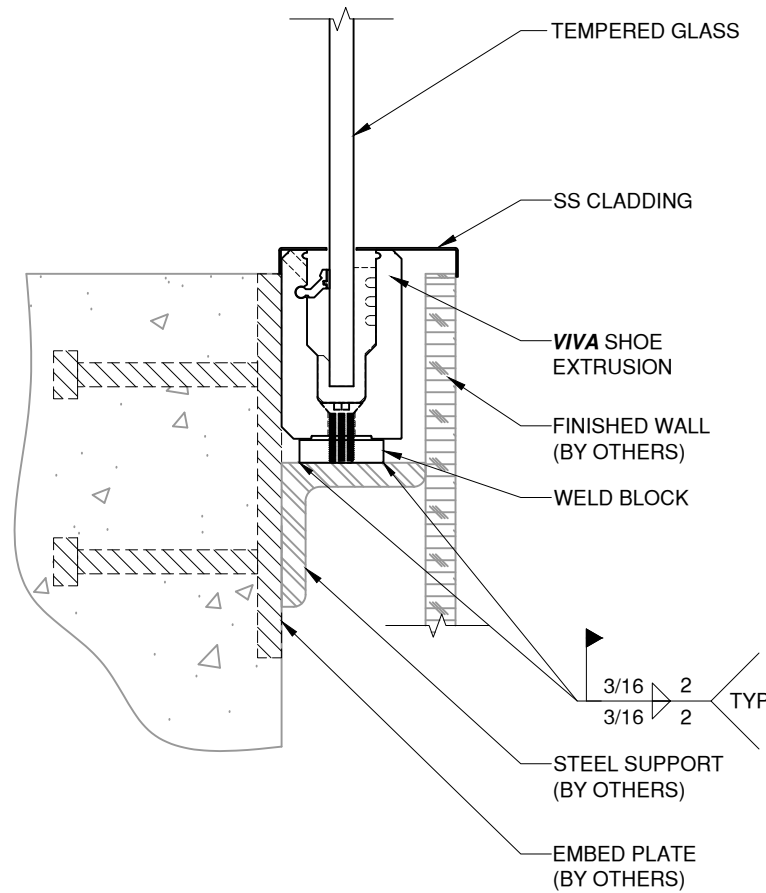
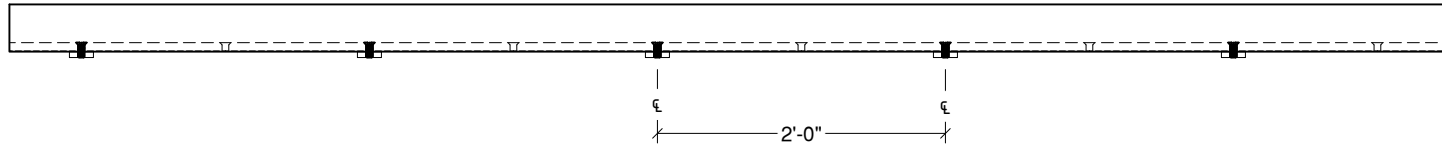
VIVA RAILINGS, LLC  
1454 HALSEY WAY  
CARROLLTON, TX 75007  
P: 972-353-8482  
F: 972-353-0013  
e: info@vivarailings.com  
www.vivarailings.com

DESCRIPTION:  
VIVA SHOE  
PRODUCT DATA

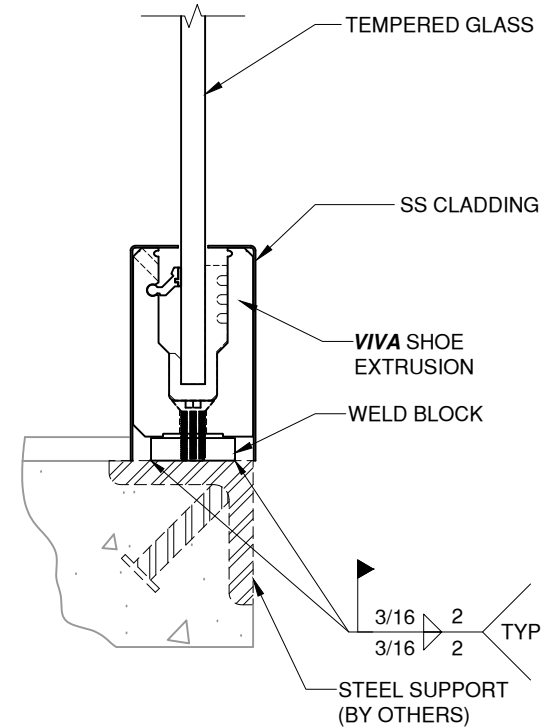
DRAWN BY  
JCM

SHEET NUMBER  
M12 OF M14

# CONCRETE MOUNTING DETAIL w/ EMBED STEEL



**1** DETAIL: FASCIA MOUNT  
@ CONCRETE w/ EMBED PLATE  
M13 SCALE: 3" = 1'-0"



**2** DETAIL: TOP MOUNT @ CONCRETE EDGE  
M13 SCALE: 3" = 1'-0"



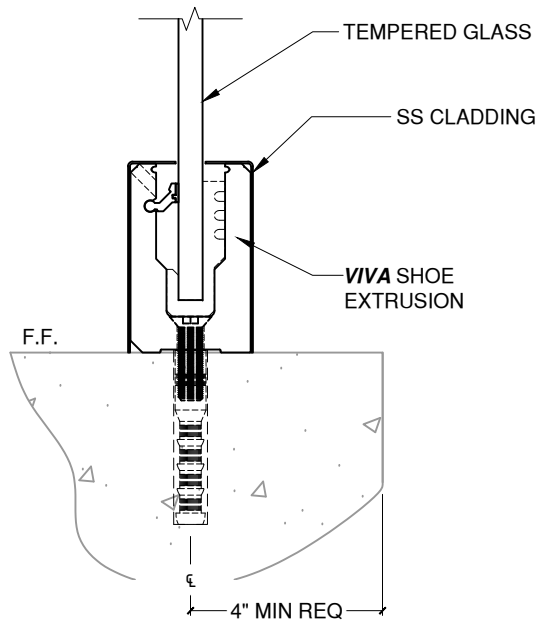
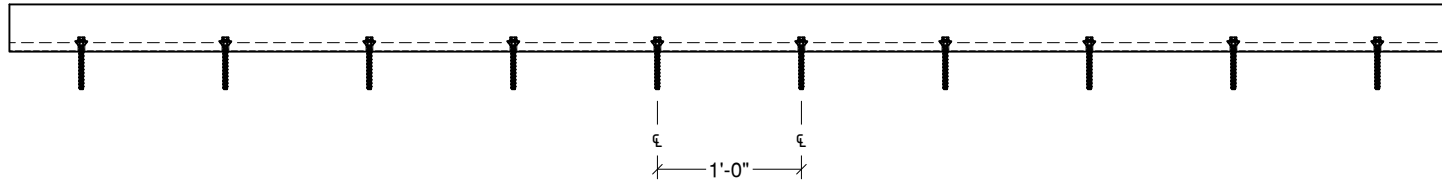
VIVA RAILINGS, LLC  
1454 HALSEY WAY  
CARROLLTON, TX 75007  
P: 972-353-8482  
F: 972-353-0013  
e: info@vivarailings.com  
www.vivarailings.com

DESCRIPTION:  
VIVA SHOE  
PRODUCT DATA

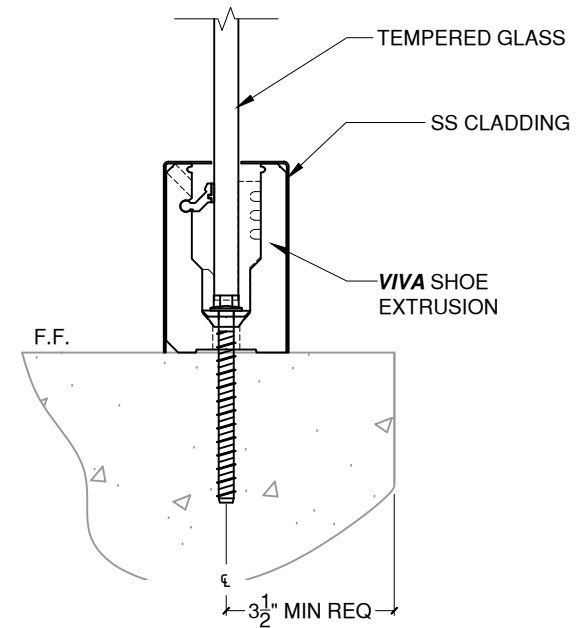
DRAWN BY  
JCM

SHEET NUMBER  
M13 OF M14

# CONCRETE MOUNTING DETAIL



DETAIL: TOP MOUNT  
1 @ CONCRETE w/ SS INSERT & EPOXY  
 M14 SCALE: 3" = 1'-0"



DETAIL: TOP MOUNT  
2 @ CONCRETE w/ HILTI-HUS  
 M14 SCALE: 3" = 1'-0"



VIVA RAILINGS, LLC  
 1454 HALSEY WAY  
 CARROLLTON, TX 75007  
 P: 972-353-8482  
 F: 972-353-0013  
 e: info@vivarailings.com  
 www.vivarailings.com

DESCRIPTION:  
 VIVA SHOE  
 PRODUCT DATA

DRAWN BY  
 JCM

SHEET NUMBER  
 M14 OF M14